

## Notice

The information in this guide is subject to change without notice.

COMPAQ COMPUTER CORPORATION SHALL NOT BE LIABLE FOR TECHNICAL OR EDITORIAL ERRORS OR OMISSIONS CONTAINED HEREIN; NOR FOR INCIDENTAL OR CONSEQUENTIAL DAMAGES RESULTING FROM THE FURNISHING, PERFORMANCE, OR USE OF THIS MATERIAL.

This guide contains information protected by copyright. No part of this guide may be photocopied or reproduced in any form without prior written consent from Compaq Computer Corporation.

© 1998 Compaq Computer Corporation.  
All rights reserved. Printed in Korea.

COMPAQ, ARMADA, and LTE are registered in the U.S. Patent and Trademark Office.

Microsoft, MS-DOS, Windows, Windows NT, and other names of Microsoft products mentioned herein are trademarks or registered trademarks of Microsoft Corporation.

All other product names mentioned herein may be trademarks or registered trademarks of their respective companies.

Software described herein is furnished under a license agreement or nondisclosure agreement. The software may be used or copied only in accordance with the terms of the agreement.

## COMPAQ MOBILE 6500 EXPANSION UNIT Installation and Operations Guide

First Edition October 1998  
Part Number ER-PM1CA-IM.A01

**Compaq Computer Corporation**

# Table of Contents

## 1 Introduction

|   |     |
|---|-----|
| Contents of Packing Box .....             | 1-1 |
| For Further Information .....             | 1-1 |
| Identifying the Components.....           | 1-2 |
| Left Side Connections and Controls .....  | 1-2 |
| Right Side Connections and Controls ..... | 1-3 |
| Bottom Connections and Controls .....     | 1-4 |

## 2 Connecting and Disconnecting the Computer

|                                  |     |
|----------------------------------|-----|
| Connecting the Computer .....    | 2-1 |
| Disconnecting the Computer ..... | 2-2 |

## 3 Using the Expansion Unit

|                                    |     |
|------------------------------------|-----|
| Installing a MultiBay Device.....  | 3-1 |
| Using Security Features .....      | 3-2 |
| Password On Undock.....            | 3-2 |
| Cable Lock Provision.....          | 3-2 |
| Adjusting the Speaker Volume ..... | 3-2 |
| Using the Second Hard Drive .....  | 3-2 |

**A Troubleshooting**

Worldwide Telephone Numbers ..... A-2

**B Specifications**.....B-1

## Introduction

The Mobile 6500 Expansion Unit provides multimedia capabilities for your Compaq Armada 6500 notebook. The expansion unit features an adjustable MultiBay for installing a 1.44-MB diskette drive, Iomega Zip drive, SuperDisk LS-120 drive, second hard drive, CD-ROM drive or DVD-ROM drive. It also includes dual full speakers and subwoofer, a MIDI/Joystick port, and Dolby Digital output.

To expand the multimedia functions and give you full desktop capabilities, you can dock your computer with the Mobile 6500 Expansion Unit to the Armada 6500 Convenience Base.

This guide provides information on connecting and disconnecting the computer to and from the Mobile 6500 Expansion Unit and procedures on operating.

## Contents of Packing Box

Before you began, ensure that you have removed everything from the packing box. In addition to this guide, you should have the following:

- Mobile 6500 Expansion Unit
- Warranty and service information

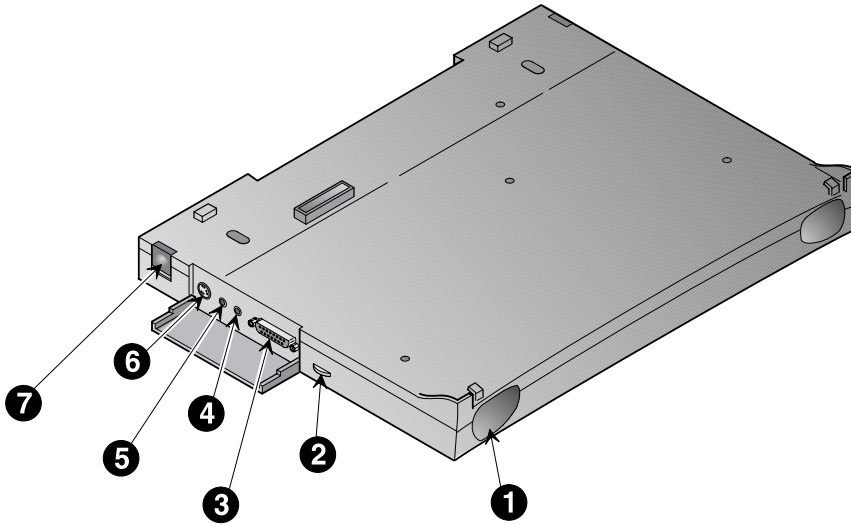
## For Further Information

For additional information on using the Armada 6500 notebook computer refer to the *Reference Guide* included with the computer.

The expansion base is covered by a one-year limited warranty. Refer to the warranty and service information included with this product to determine country, type, and terms of coverage.

# Identifying the Components

## Left Side Connections and Controls



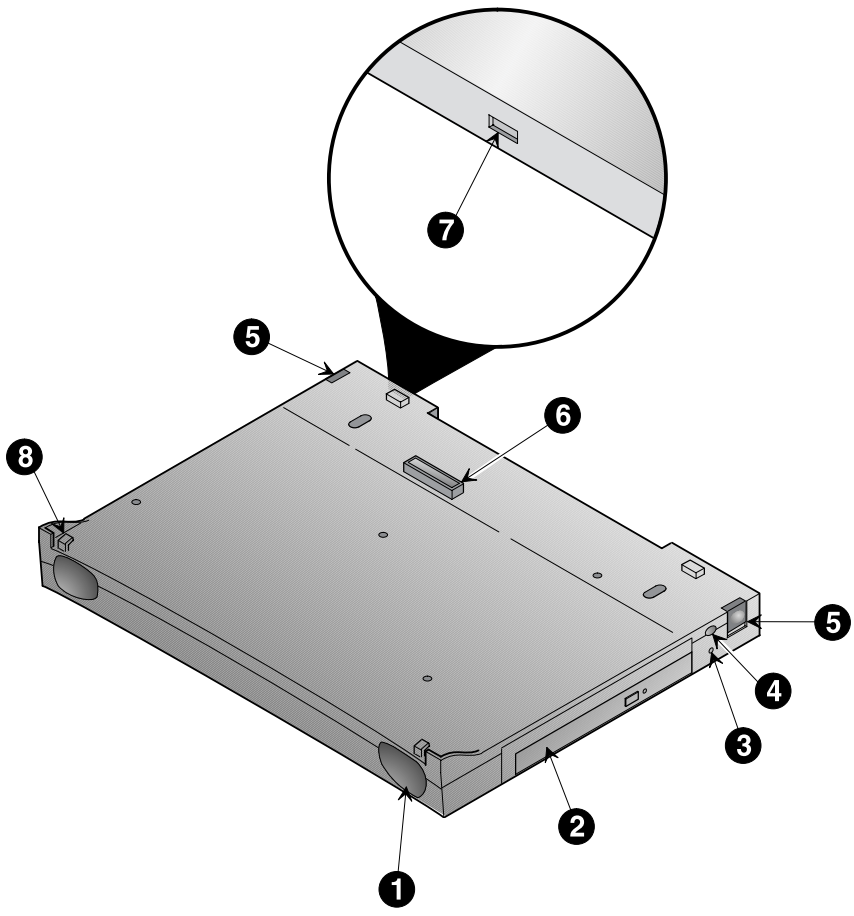
DEC01615

---

| <b>Component</b>          | <b>Functional Description</b>   |
|---------------------------|---|
| ❶ Full range speakers     | Provides left and right stereo output.  |
| ❷ Volume control          | Slide to the right to increase audio output or slide to the left to decrease audio output.  |
| ❸ MIDI/Joystick connector | Connects a MIDI device or joystick to the system.   |
| ❹ Dolby Digital output    | Connects to a Dolby Digital processor or receiver. The internal speakers are disabled when a device is connected.   |
| ❺ Composite video output  | Provides composite video output (only) to connect the system to an appropriate video device, such as a VCR or television.   |
| ❻ S-video connector       | Provides S-video output (only) to connect the system to an S-video device, such as a VCR or television.   |
| ❼ Release button          | Located on the left and right sides of the system. These buttons are used to disconnect the expansion unit from the computer. They are locked when the docking light is on or if the Password on Undock feature is enabled and the correct password has not been entered. |

---

# Right Side Connections and Controls



DEC01208

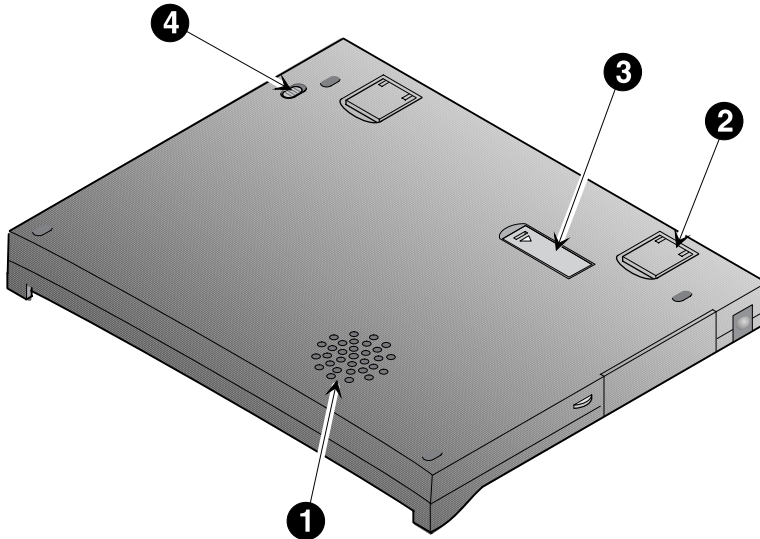
| Component               | Functional Description   |
|-------------------------|--|
| ❶ Full range speakers   | Provides left and right stereo output.   |
| ❷ MultiBay              | Supports a 1.44-MB diskette drive, Iomega Zip drive, SuperDisk LS-120 drive, second hard drive, CD-ROM drive or DVD-ROM drive. |
| ❸ Docking light         | When lit, indicates that the expansion unit is docked. When off, indicates that the expansion unit can be undocked.            |
| ❹ Undock request button | When pressed, sends an undock request to the operating system.   |

*Continued*

## Introduction

| Component, <i>continued</i> | Functional Description, <i>continued</i>   |
|-----------------------------|--|
| ⑤ Release button            | Located on the left and right sides of the expansion unit. Press these buttons to undock the expansion unit. The buttons are locked when the docking light is on or if the Dock Security feature is enabled and the correct password has not been entered. |
| ⑥ Docking connector         | Connects the Armada 6500 notebook to the expansion unit.   |
| ⑦ Security lock             | Allows connection for a security lock device.  |
| ⑧ Docking hooks             | Secures the front of the computer in position when docked.   |

## Bottom Connections and Controls



DEC01616

| Component           | Functional Description  |
|---------------------|---|
| ① Subwoofer         | Provides lower frequency audio output.  |
| ② Computer support  | Supports the computer at an angle when opened.  |
| ③ Docking connector | Connects the Armada 6500 Convenience Base to the expansion unit. Slide open the cover before connecting the convenience base. |
| ④ MultiBay Latch    | Releases the MultiBay module to remove it.  |

# 2

## Connecting and Disconnecting the Computer

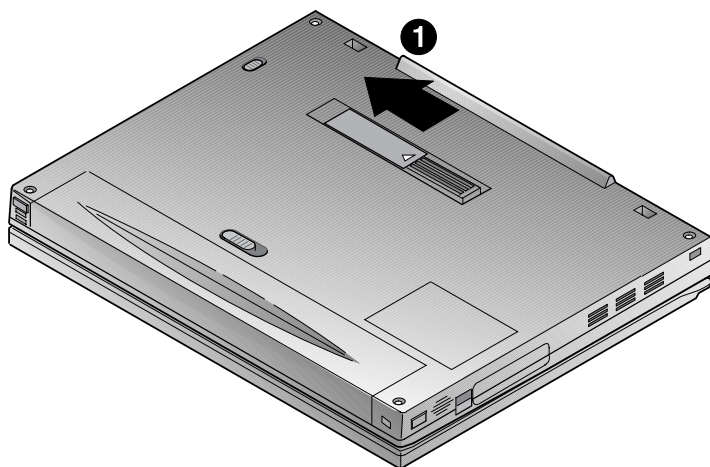
This chapter provides information on connecting and disconnecting the computer to and from the Mobile 6500 Expansion Unit.

### Connecting the Computer

The computer can be hot docked to the expansion unit. When docking the computer to the expansion unit, there is no need to place the computer in Suspend or turn it off.

To connect the computer to the expansion unit, follow these steps:

1. Slide open the docking connector **1** on the bottom side of the computer.

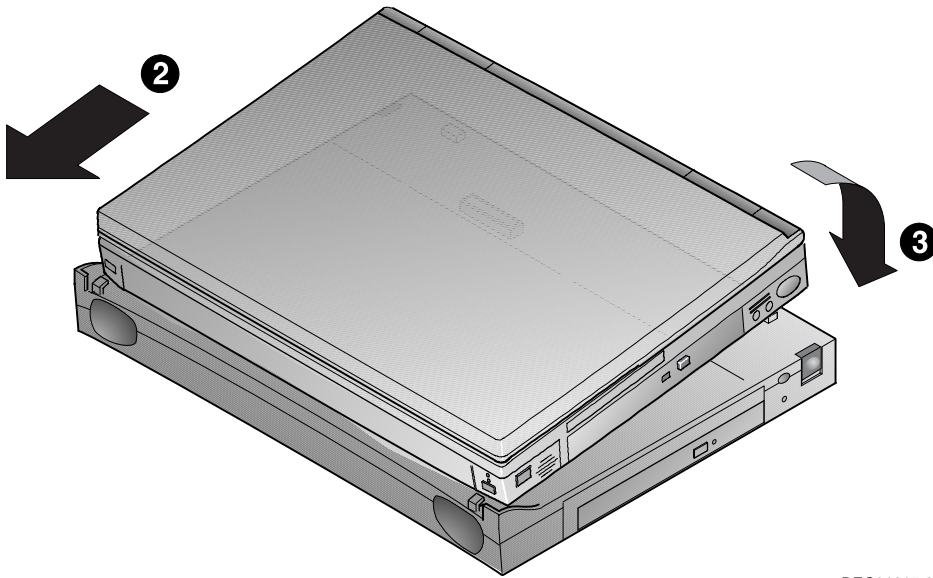


DEC01632



## Connecting and Disconnecting the Computer

2. Slide the computer into the expansion unit ②. It is not necessary to close the computer.
3. To ensure connection, press down on the rear of the computer to engage the docking hooks ③ that secure the computer to the expansion unit.



DEC01617-2

## Disconnecting the Computer

The expansion unit can be hot disconnected from the computer. When disconnecting the computer from the expansion unit, there is no need to place the computer in Suspend or turn it off.

---

### Note

---

When the Password on Undock feature is enabled, you cannot disconnect the computer from the expansion unit if the system is in Suspend or power is turned off. The system will need to be turned on and the Undock Request button pressed, or make an Undock request from Windows.

---

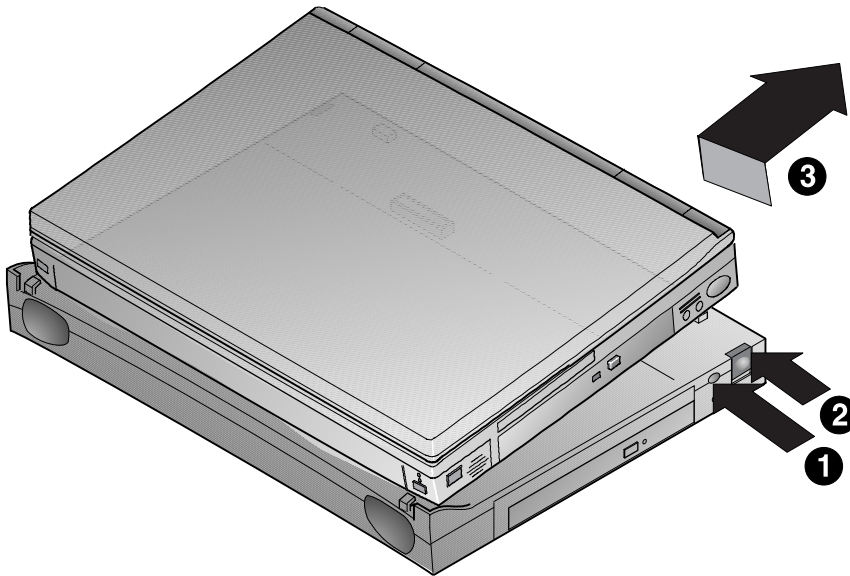
To disconnect the computer from the expansion unit, follow these steps:

### Removing the computer with power turned on

1. Press the undock request button **1** on the right side of the expansion unit, or make an undock request from Windows.
2. If the Password on Undock feature is enabled, you will be prompted to enter a password before the undock request is recognized.
3. Wait for the docking light below the undock request button to turn off.
4. Lift the computer up and away **3** from the expansion unit.

### Removing the computer with power turned off

1. Press the release buttons **2** on the left and right sides of the expansion unit.
2. Lift the computer up and away **3** from the expansion unit.



DEC01617-3

## Using the Expansion Unit

This chapter provides procedures for using the Mobile 6500 Expansion Unit.

### Installing a MultiBay Device

The expansion unit supports a 1.44-MB diskette drive, Iomega Zip drive, SuperDisk LS-120 drive, second hard drive, CD-ROM drive, or DVD-ROM drive in the MultiBay. MultiBay devices can be installed with the computer turned on or in Suspend.

---

#### Important

---

The computer/expansion unit assembly supports only one diskette drive. If a diskette drive is installed in the MultiBay of the expansion unit, the system will try to read both the computer and MultiBay diskette drives simultaneously. A diskette drive in the computer and an LS-120 drive or Zip drive installed in the expansion unit can operate simultaneously.

---

To install a MultiBay device, follow these steps:

1. Turn the computer/expansion unit assembly bottom side up.
2. Slide the MultiBay latch to the unlock position to release the weight saver from the MultiBay.
3. Remove the weight saver.
4. If you are installing a Zip Drive, remove the 12.7 mm adapter plate by sliding it out.
5. Install the new MultiBay device following the instructions on the installation document that comes with the device.

## Using Security Features

### Password On Undock

Enabling the Password on Undock feature prevents unauthorized disconnection of the computer from the expansion unit. When you press the undock request button, you will be prompted for a password. Enter your user or Supervisor password to complete the undock request and disconnect the computer. Consult the *Reference Guide* that comes with your computer for password instructions.

### Cable Lock Provision

To help protect your expansion unit from theft, use the cable lock provision to secure the unit to a work area. A cable lock can be purchased from Kensington Microware Limited or from Compaq authorized dealers, resellers, and service providers worldwide.

## Adjusting the Speaker Volume

In addition to the computer speakers, the Mobile 6500 Expansion Unit comes with dual stereo speakers and subwoofer. When the computer is connected to the expansion unit, the system audio is played through the expansion unit speakers. Use the volume buttons on the expansion unit to increase or decrease the system audio.

## Using the Second Hard Drive

When a second hard drive is installed in the MultiBay, the computer does not boot from the second drive. It will only boot from the internal hard drive.

---

# A

## Troubleshooting

This appendix provides information on how to identify and correct some common problems that may be encountered while using the computer with the Mobile 6500 Expansion Unit.

For error messages and possible problems that are not specifically related to using the computer with the expansion unit, refer to the troubleshooting section of the *Reference Guide* that comes with the computer.

While the computer is configured for a particular hardware and software, problems encountered while working may not be unique. Eliminating the typical problems described in this section may save time and money. If a problem arises with the computer, consider the possible causes and solutions outlined in the tables to follow. These troubleshooting tips identify common problem/resolution pairs allowing you to easily resolve issues. However, if the condition persists, contact your Compaq authorized dealer or reseller, or call one of the Compaq telephone numbers listed in “Worldwide Telephone Numbers” in this appendix.

The following tables list possible problems, the possible cause of each problem, and the recommended solution(s):

| <b>Connecting Problems and Solutions</b>                      |   |   |
|---|---|---|
| <b>Problem</b>  | <b>Possible Cause</b>                                     | <b>Solution(s)</b>  |
| The computer is not properly connected to the expansion unit. | The computer is not properly seated on the docking hooks. | Ensure the computer is properly connected to the docking hooks. |
| Computer will not connect.                                    | Docking connector cover may be closed.                    | Ensure the docking connector cover is open.                     |

---

### Disconnecting Problems and Solutions

---

| Problem                           | Possible Cause                  | Solution(s)   |
|-----------------------------------|---------------------------------|---|
| The computer will not disconnect. | Password on Undock is disabled. | Enable the Password on Undock feature and enter your user password. |

---

### External Device Installation Problems and Solutions

---

| Problem  | Possible Cause  | Solution(s)   |
|--|---|---|
| A new device is not recognized as part of the computer system. | More than one optional device has the same interrupt request (IRQ) setting. | Correct the IRQ settings for optional devices that are conflicting. |
|  | The device may not have been inserted properly                              | Re- insert the new device.  |

---

## Worldwide Telephone Numbers

Locate your geographical area in the following table and use one of the telephone numbers for Compaq assistance.

**General Information Numbers**—Product information, technical assistance, and the location of your nearest Compaq authorized dealer, reseller, or service provider.

**Technical Support Numbers**—Hardware technical support in analyzing system configuration and diagnostic problems or troubleshooting.

**Customer Support Numbers**—Information on service and support programs including warranty, product catalogs, and white papers.

**PaqFax Numbers**—Automatic facsimile response system for technical and product-specific information that is transmitted to any fax machine. PaqFax is available 24 hours a day.

---

**Note**

---

Telephone numbers are subject to change without notice.

\* Indicates toll-free domestic numbers.

---

---

## Worldwide Telephone Numbers

---

| Location                        | Country Code | Telephone Number                       |
|---------------------------------|--------------|--|
| <b>Argentina</b>                |              |  |
| General Information             | +54          | -1-796-1616                            |
| Technical Support               | +54          | -1-796-1717                            |
| <b>Australia</b>                |              |  |
| General Information             |              | 61-2-9911-1999                         |
| Technical Support               |              | 61-2-9911-1955                         |
| PaqFax                          |              | 61-2-9911-1982                         |
| <b>Austria</b>                  |              |  |
| General Information*            |              | 0222/8 78-16-16                        |
| Technical Support*              |              | 0222/8 78-16-16                        |
| Order Software Backup           | +31          | -55-38-43-39                           |
| <b>Belgium / Luxembourg</b>     |              |  |
| Compaq Care Center              | Bel<br>Lux   | 0903-99036 (45 BFr/min.)<br>089/89.232 |
| General Fax                     | +32          | (0)2/725 22 13                         |
| Infoline (resellers, brochures) | +32          | (0)2/716 96 96                         |
| QuickLine (BBS)                 | +32          | (0)2/716 95 92                         |
| Order Software Backup           | +32          | (0)2/716 96 78                         |
| Order Software Backup by Fax    | +32          | (0)2/716 96 79                         |
| <b>Brazil</b>                   |              |  |
| General Information             | +55          | -11-246-7866                           |
| <b>Canada</b>                   |              |  |
| General Information             |              | 1-905-707-1715                         |
| Technical Support*              |              | 1-800-OKCOMPAQ<br>(1-800-652-6672)     |
| Customer Support*               |              | 1-800-263-5868                         |
| Order Software Backup*          |              | 1-800-952-7689                         |
| Battery Pack Recycling*         |              | 1-800-263-5868                         |

*Continued*

---

## Worldwide Telephone Numbers

---

| Location              | Country Code | Telephone Number |
|-----------------------|--------------|------------------|
| <b>Caribbean</b>      |              |                  |
| General Information   |              | 1-281-514-4220   |
| Technical Support     |              | 1-281-518-2200   |
| <b>Chile</b>          |              |                  |
| General Information   | +56          | -2-274-1911      |
| Technical Support     | +56          | -2-274-3007      |
| <b>China</b>          |              |                  |
| General Information   | +86          | -10-6831-3399    |
| Technical Support     | +86          | -10-6834-6721    |
| <b>Colombia</b>       |              |                  |
| General Information   | +57          | -1-312-0201      |
| Technical Support     | +57          | -1-345-0266      |
| <b>Czech Republic</b> |              |                  |
| General Information   | +420         | -2-232-8772      |
| Technical Support     | +420         | -2-232-8772      |
| <b>Denmark</b>        |              |                  |
| General Information   | +45          | -45-90-45-90     |
| Technical Support     | +45          | -45-90-45-45     |
| <b>Finland</b>        |              |                  |
| General Information   | +358         | -0-615 599       |
| Technical Support*    |              | 0203-206 720     |
| QuickLine (BBS)       | +358         | -0-6155 9870     |
| <b>France</b>         |              |                  |
| General Information   | +33          | -1-41-33-41-33   |
| Technical Support     | +33          | -1-41-33-44-55   |

*Continued*



---

**Worldwide Telephone Numbers**


---

| <b>Location</b>        | <b>Country Code</b> | <b>Telephone Number</b> |
|------------------------|---------------------|-------------------------|
| <b>Germany</b>         |                     |                         |
|                        | 0,48 DM/min.        |                         |
| Hotline                |                     | 0180/5 21 21 11         |
| Hotline Fax            |                     | 0180/5 21 21 17         |
| Infoline               |                     | 0180/3 22 12 21         |
| Infoline Fax           |                     | 0180/3 22 12 20         |
| QuickLine              |                     | 0180/5 21 21 18         |
| FaxPaq                 |                     | 0180/5 21 21 19         |
| Order Software Backup* |                     | 0130/81 10 81           |
| <b>Hong Kong</b>       |                     |                         |
| General Information    |                     | 852-28681382            |
| Technical Support      |                     | 852-90116633            |
| PaqFax                 |                     | 852-28671648            |
| <b>Hungary</b>         |                     |                         |
| General Information    | +36                 | -1-457-3600             |
| Technical Support      | +36                 | -1-457-3682             |
| <b>India</b>           |                     |                         |
| General Information    |                     | 91-80-559-6023          |
| PaqFax                 |                     | 91-80-559-8989          |
| BBS                    |                     | 91-80-559-8900          |
| <b>Israel</b>          |                     |                         |
| General Information    | +972                | -3-6363-444             |
| Technical Support      | +972                | -3-6363-444             |
| PaqFax                 | +972                | -3-6396-601             |
| <b>Italy</b>           |                     |                         |
| General Information    | +39                 | -2-57-59-03-00          |
| Technical Support      | +39                 | -2-57-59-03-00          |

*Continued*

---

## Worldwide Telephone Numbers

---

| Location                 | Country Code | Telephone Number                  |
|--------------------------|--------------|-----------------------------------|
| <b>Japan</b>             |              |                                   |
| General Information*     |              | 0120-101-589                      |
| Technical Support*       |              | 0120-101-589                      |
| Windows 95 Support*      |              | 0120-505-589                      |
| Order Software Backup*   |              | 0120-250-589                      |
| FaxStation               |              | 81-3-5402-0991                    |
| <b>Korea</b>             |              |                                   |
| General Information      |              | 82-2-3470-07001                   |
| Technical Support        |              | 82-2-523-3575<br>82-082-902-77774 |
| <b>Malaysia</b>          |              |                                   |
| General Information      |              | 603-717-1188                      |
| Technical Support        |              | 603-718-1636                      |
| <b>Mexico</b>            |              |                                   |
| General Information      | +52          | -5-229-7900                       |
| Technical Support        | +52          | -5-229-7910                       |
| PaqFax                   | +52          | -5-229-7920                       |
| <b>Netherlands</b>       |              |                                   |
| General Information      |              | 0182-565805                       |
| Customer Support*        |              | 06-91681616<br>(Dfl. 0.75/min)    |
| Fax*                     |              | 06-8991116<br>(Dfl. 0.40/min)     |
| QuickLine Bulletin Board |              | 0182-572366                       |
| <b>New Zealand</b>       |              |                                   |
| General Information      |              | 64-9-307-3969                     |
|                          | +47          | -22-07-20-00                      |
|                          | +47          | -22-07-20-20                      |

*Continued*

---

**Worldwide Telephone Numbers**


---

| <b>Location</b>         | <b>Country Code</b> | <b>Telephone Number</b> |
|-------------------------|---------------------|-------------------------|
| <b>Poland</b>           |                     |                         |
| General Information     | +48                 | -2-630-3535             |
| Technical Support       | +48                 | -2-630-3535             |
| <b>Portugal</b>         |                     |                         |
| General Information     | +351                | -1-4128400              |
| Technical Support       | +351                | -1-4128460              |
| <b>Russia</b>           |                     |                         |
| General Information     | +7                  | -095-967-1700           |
| Technical Support       | +7                  | -095-967-1700           |
| PaqFax                  | +7                  | -095-967-1701           |
| <b>Singapore</b>        |                     |                         |
| General Information     |                     | 65-753-6688             |
| Customer Support Center |                     | 65-750-3030             |
| PaqFax                  |                     | 65-750-4514             |
| <b>South Africa</b>     |                     |                         |
| General Information     |                     | 27-11-728-6999          |
| Technical Support       |                     | 27-11-728-6999          |
| <b>Spain</b>            |                     |                         |
| General Information     | +34                 | -902.10.14.14           |
| Technical Support       | +34                 | -1-640-1302             |
| <b>Sweden</b>           |                     |                         |
| General Information     | +46                 | -8-703-5240             |
| Technical Support       | +46                 | -8-703-5240             |
| PaqFax (hämtfax)        | +46                 | -8-703-5225             |
| QuickLine (BBS)         | +46                 | -8-703-5220             |

*Continued*

---

## Worldwide Telephone Numbers

---

| Location                                 | Country Code | Telephone Number                               |
|--|--------------|--|
| <b>Switzerland</b>                       |              |  |
| General Information                      |              | 0844 844 111                                   |
| Technical Support                        |              | 01/838 22 22 (German)<br>01/838 22 23 (French) |
| QuickLine Bulletin Board                 |              | 01/838-24 21                                   |
| Order Software Backup                    |              | 0800 556 206                                   |
| <b>Taiwan</b>                            |              |  |
| General Information                      |              | 886-2-7351000                                  |
| Technical Support                        |              | 886-2-3761170                                  |
| BBS                                      |              | 886-2-3761175                                  |
| <b>Thailand</b>                          |              |  |
| General Information                      |              | 62-2-679-6222                                  |
| <b>United Arab Emirates (Dubai)</b>      |              |  |
| General Information                      | +97          | 14 -818100                                     |
| <b>United Kingdom</b>                    |              |  |
| General Information                      |              | 0990-134456                                    |
| FaxPaq                                   |              | 0181-332-3550                                  |
| QuickLine Bulletin Board                 |              | 0181-332-9499                                  |
| <b>United States</b>                     |              |  |
| Product Information*                     |              | 1-800-345-1518                                 |
| Technical Support*                       |              | 1-800-OKCOMPAQ<br>(1-800-652-6672)             |
| PaqFax*                                  |              | 1-800-345-1518, Option 1                       |
| Download Facility<br>(modem access only) |              | 1-281-518-1418                                 |
| Order Software Backup*                   |              | 1-800-952-7689                                 |
| Battery Pack Recycling*                  |              | 1-800-524-9859                                 |
| <b>Venezuela</b>                         |              |  |
| General Information                      | +58          | -2-953-6944                                    |

---

# B

## Specifications

This appendix provides the physical specifications for the Mobile 6500 Expansion Unit.

---

**Dimensions**

|        |        |         |
|--------|--------|---------|
| Height | 0.9 in | 2.28 cm |
| Depth  | 9.7 in | 24 cm   |
| Width  | 12 in  | 30 cm   |

**Weight** 1.82 lbs 0.83 kg

**Rated Input Voltage** 100-120/220-240 VAC

**Rated Input Frequency** 50-60 Hz

**Rated Input Current** 1.2/0.5 A

---