

Stabilizing Bracket Rack Option Kit

Installation Card

*Open Card Completely Before
Beginning Installation Procedures*

NOTICE

The information in this publication is subject to change without notice.

COMPAQ COMPUTER CORPORATION SHALL NOT BE LIABLE FOR TECHNICAL OR EDITORIAL ERRORS OR OMISSIONS CONTAINED HEREIN, NOR FOR INCIDENTAL OR CONSEQUENTIAL DAMAGES RESULTING FROM THE FURNISHING, PERFORMANCE, OR USE OF THIS MATERIAL. THIS INFORMATION IS PROVIDED "AS IS" AND COMPAQ COMPUTER CORPORATION DISCLAIMS ANY WARRANTIES, EXPRESS, IMPLIED OR STATUTORY AND EXPRESSLY DISCLAIMS THE IMPLIED WARRANTIES OF MERCHANTABILITY, FITNESS FOR PARTICULAR PURPOSE, GOOD TITLE AND AGAINST INFRINGEMENT.

This publication contains information protected by copyright. No part of this publication may be photocopied or reproduced in any form without prior written consent from Compaq Computer Corporation.

© 1998 Compaq Computer Corporation
All rights reserved. Printed in the U.S.A.

Compaq, Registered U.S. Patent and Trademark Office.

Stabilizing Bracket Rack Option Kit

First Edition (July 1998)
Part Number 332684-021

About This Device

The Stabilizing Bracket allows you to secure your Flat Panel Monitor Rack mount (TFT450R) to the rack using thumbscrews.

Kit Contents

- Stabilizing bracket with thumbscrews (2)
- 8-32x1/4 screws (4)

Rack Considerations

Before beginning these procedures, make sure you understand and adhere to the following precautions.



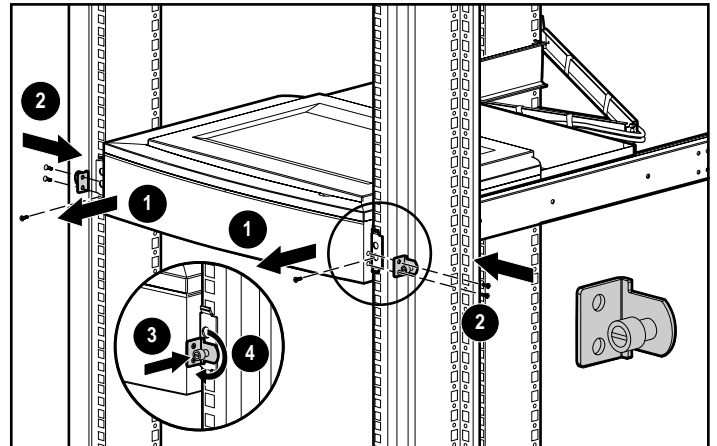
WARNING: To reduce the risk of personal injury or damage to the equipment, be sure that:

- The leveling jacks are extended to the floor.
- The full weight of the rack rests on the leveling jacks.
- The stabilizing feet are attached to the rack if it is a single rack installation.
- The racks are coupled together in multiple rack installations.
- Only one component is extended at a time. (A rack may become unstable if more than one component is extended for any reason).

To install the Stabilizing Bracket:

Follow the procedures to install the Flat Panel Monitor Rackmount (TFT450R) Rack Option Kit but **DO NOT** install the lower, front screw in each of the rail mounting brackets and **DO NOT** install the Latch Bracket.

- 1 If you are using the Stabilizing Bracket on an existing installation, remove the lower front screw from each rail mounting bracket.



- 2 Attach the Stabilizing Bracket to each side of the plastic frame using two 8-32x1/4 screws.
- 3 Push the thumbscrew into the rack.
- 4 Turn the thumbscrew to tighten.