

# *Compaq StorageWorks*

## **SSL2000 Series Library**

### **Drive Upgrade**

Reference Guide

First Edition (April 2000)  
Part Number 187194-001  
Compaq Computer Corporation

# Notice

© 2000 Compaq Computer Corporation.

Compaq, the Compaq logo, and StorageWorks Registered in U. S. Patent and Trademark Office.

All other product names mentioned herein may be trademarks or registered trademarks of their respective companies.

Compaq shall not be liable for technical or editorial errors or omissions contained herein. The information in this document is subject to change without notice.

The information in this publication is subject to change without notice and is provided "AS IS" WITHOUT WARRANTY OF ANY KIND. THE ENTIRE RISK ARISING OUT OF THE USE OF THIS INFORMATION REMAINS WITH RECIPIENT. IN NO EVENT SHALL COMPAQ BE LIABLE FOR ANY DIRECT, CONSEQUENTIAL, INCIDENTAL, SPECIAL, PUNITIVE OR OTHER DAMAGES WHATSOEVER (INCLUDING WITHOUT LIMITATION, DAMAGES FOR LOSS OF BUSINESS PROFITS, BUSINESS INTERRUPTION OR LOSS OF BUSINESS INFORMATION), EVEN IF COMPAQ HAS BEEN ADVISED OF THE POSSIBILITY OF SUCH DAMAGES. THE FOREGOING SHALL APPLY REGARDLESS OF THE NEGLIGENCE OR OTHER FAULT OF EITHER PARTY AND REGARDLESS OF WHETHER SUCH LIABILITY SOUNDS IN CONTRACT, NEGLIGENCE, TORT, OR ANY OTHER THEORY OF LEGAL LIABILITY, AND NOTWITHSTANDING ANY FAILURE OF ESSENTIAL PURPOSE OF ANY LIMITED REMEDY.

The limited warranties for Compaq products are exclusively set forth in the documentation accompanying such products. Nothing herein should be construed as constituting a further or additional warranty.

Printed in the U.S.A.

Compaq StorageWorks SSL2000 Series Library Drive Upgrade Reference Guide  
First Edition (April 2000)  
Part Number 187194-001

# Contents

## About This Guide

Symbols in Text.....	v
Symbols on Equipment.....	vi
Cabinet Stability .....	vii
Getting Help .....	vii
Compaq Technical Support .....	vii
Compaq Website .....	viii
Compaq Authorized Reseller.....	viii

## Adding a Second Drive

Introduction .....	1
Removing the Outside Cover.....	2
Outside Cover Screw Locations .....	2
Outside Cover Removal Procedures .....	3
Removing the Brace Plate and Upper Drive Mounting Plate .....	4
Installing Alignment Pins .....	6
Installing the New Drive.....	7

## List of Figures

Figure 1. Outside cover screw locations (tabletop version).....	2
Figure 2. Outside cover screw locations (rackmount version).....	3
Figure 3. Brace plate removal.....	4
Figure 4. Upper drive mounting plate removal.....	5
Figure 5. Alignment pin installation .....	6
Figure 6. Installing the new drive .....	7
Figure 7. Connecting the new drive.....	8

# About This Guide

This guide is designed to be used as step-by-step instructions for installing a second drive into a Compaq StorageWorks SSL2000 Series Library.

## Symbols in Text

These symbols may be found in the text of this guide. They have the following meanings.



**WARNING:** Text set off in this manner indicates that failure to follow directions in the warning could result in bodily harm or loss of life.

---



**CAUTION:** Text set off in this manner indicates that failure to follow directions could result in damage to equipment or loss of information.

---

**IMPORTANT:** Text set off in this manner presents clarifying information or specific instructions.

---

**NOTE:** Text set off in this manner presents commentary, sidelights, or interesting points of information.

## Symbols on Equipment

These icons may be located on equipment in areas where hazardous conditions may exist.



Any surface or area of the equipment marked with these symbols indicates the presence of electrical shock hazards. Enclosed area contains no operator serviceable parts.

**WARNING:** To reduce the risk of injury from electrical shock hazards, do not open this enclosure.

---



Any RJ-45 receptacle marked with these symbols indicates a Network Interface Connection.

**WARNING:** To reduce the risk of electrical shock, fire, or damage to the equipment, do not plug telephone or telecommunications connectors into this receptacle.

---



Any surface or area of the equipment marked with these symbols indicates the presence of a hot surface or hot component. If this surface is contacted, the potential for injury exists.

**WARNING:** To reduce the risk of injury from a hot component, allow the surface to cool before touching.

---



Power Supplies or Systems marked with these symbols indicate the equipment is supplied by multiple sources of power.

**WARNING:** To reduce the risk of injury from electrical shock, remove all power cords to completely disconnect power from the system.

---



Any product or assembly marked with these symbols indicates that the component exceeds the recommended weight for one individual to handle safely.

**WARNING:** To reduce the risk of personal injury or damage to the equipment, observe local occupational health and safety requirements and guidelines for manual material handling.

---

## Cabinet Stability



**WARNING:** To reduce the risk of personal injury or damage to the equipment, be sure that:

- The leveling jacks are extended to the floor.
  - The full weight of the cabinet rests on the leveling jacks.
  - The stabilizing feet are attached to the cabinet if it is a single cabinet installation.
  - The cabinets are coupled together in multiple cabinet installations.
  - Only one component is extended at a time. A cabinet may become unstable if more than one component is extended for any reason.
- 

## Getting Help

If you have a problem and have exhausted the information in this guide, you can get further information and other help in the following locations.

## Compaq Technical Support

In North America, call the Compaq Technical Phone Support Center at 1-800-OK-COMPAQ. This service is available 24 hours a day, 7 days a week. For continuous quality improvement, calls may be recorded or monitored.

Outside North America, call the nearest Compaq Technical Support Phone Center. Telephone numbers for world wide Technical Support Centers are listed on the Compaq website. Access the Compaq website at <http://www.compaq.com>.

Be sure to have the following information available before you call Compaq:

- Technical support registration number (if applicable)
- Product serial number
- Product model name and number
- Applicable error messages
- Add-on boards or hardware
- Third-party hardware or software
- Operating system type and revision level

## **Compaq Website**

The Compaq website has information on this product as well as the latest drivers and Flash ROM images. You can access the Compaq website at <http://www.compaq.com>.

## **Compaq Authorized Reseller**

For the name of your nearest Compaq authorized reseller:

- In the United States, call 1-800-345-1518.
- In Canada, call 1-800-263-5868.
- Elsewhere, see the Compaq website for locations and telephone numbers.

# Adding a Second Drive

## Introduction

This guide explains how to add a second tape drive to *the Compaq StorageWorks SSL2000 Series Library (AIT Library)*.

---

**IMPORTANT:** All screws that do not use lock washers, captive washers, or lock nuts must have Loctite 222 applied when parts are reassembled in the field. If you ignore this step, you might cause premature failure of the mechanism.

---

This chapter includes procedures for:

- Removing the outside cover
- Removing the brace plate and upper drive mounting plate
- Installing alignment pins
- Installing the new drive



## Removing the Outside Cover

This section describes how to remove the outside cover from both the tabletop and rackmount versions of the Compaq StorageWorks SSL2000 Series Library.

### Outside Cover Screw Locations

The outside cover for the tabletop version is held in place by four screws at the sides of the unit (see Figure 1).

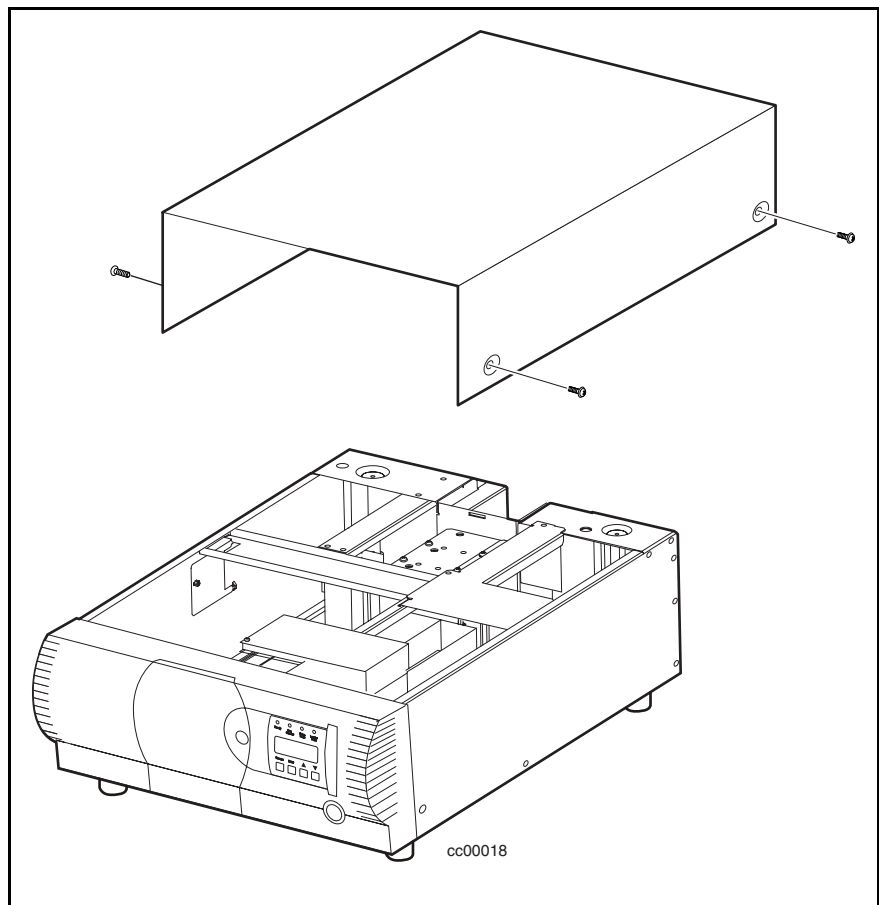


Figure 1. Outside cover screw locations (tabletop version)

The outside cover for the rackmount version is held in place by two screws at the top-rear of the unit (see Figure 2).

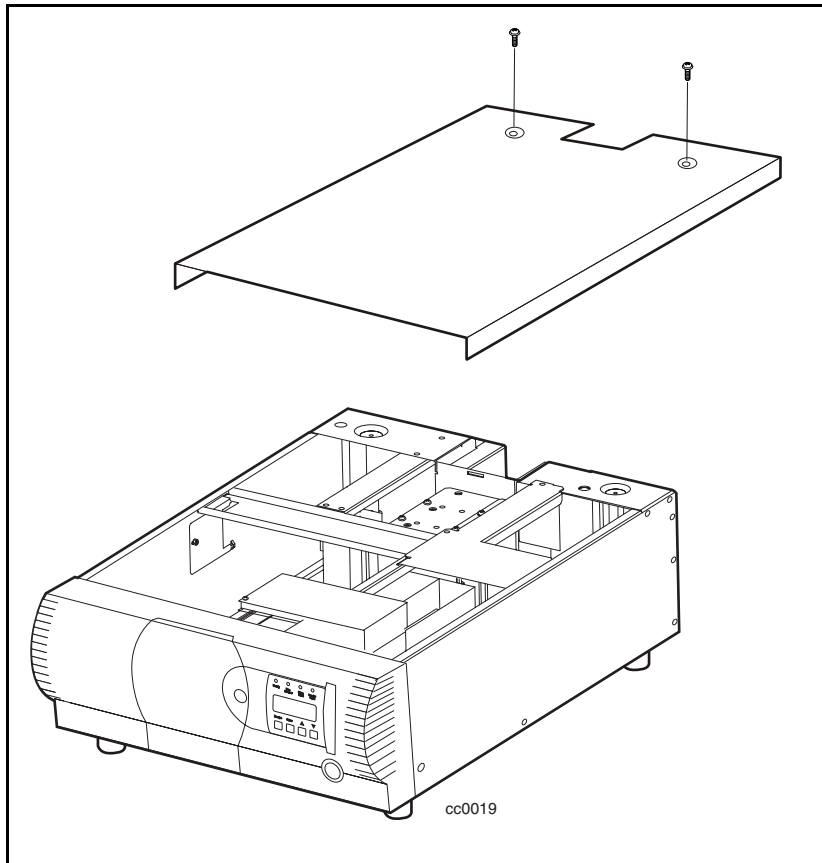


Figure 2. Outside cover screw locations (rackmount version)

## Outside Cover Removal Procedures

1. Turn off power to the AIT Library and then unplug it from the AC power source.
2. Remove the appropriate screws that secure the outside cover to the unit.
3. Slide the outside cover toward the rear of the unit until it clears the lip behind the front panel.
4. Lift the outside cover up and away from the unit.
5. Save the hardware for re-use.

## Removing the Brace Plate and Upper Drive Mounting Plate

The brace plate and upper drive mounting plate must be removed to gain access to the drive area. To remove both plates:

1. Remove the outside cover.
2. Remove the four screws that secure the brace plate to the chassis (❶ Figure 3).

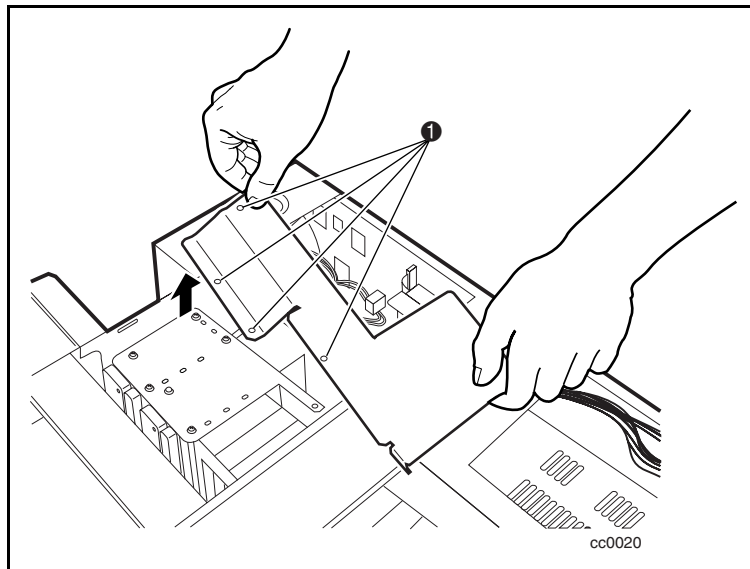


Figure 3. Brace plate removal

3. Remove the screws that secure the upper drive mounting plate to the chassis (see Figure 4).
4. Lift out the upper drive mounting plate.

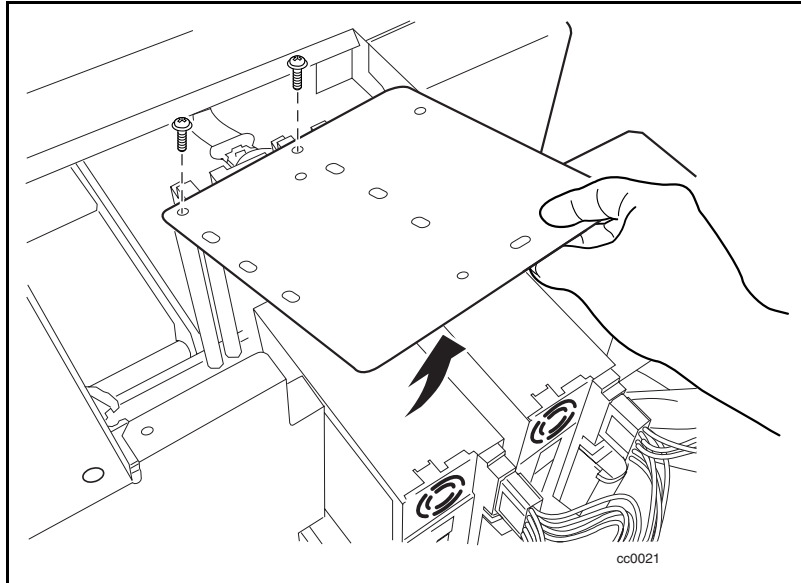


Figure 4. Upper drive mounting plate removal

## Installing Alignment Pins

Four alignment pins need be installed into the new drive prior to installation. Each alignment pin consists of a plastic spacer (top hat) and a screw ( ❶ Figure 5).

To install the alignment pins:

1. Place a plastic spacer onto each of the four screws.
2. Install the alignment pins at the locations shown ( ❶ Figure 5).

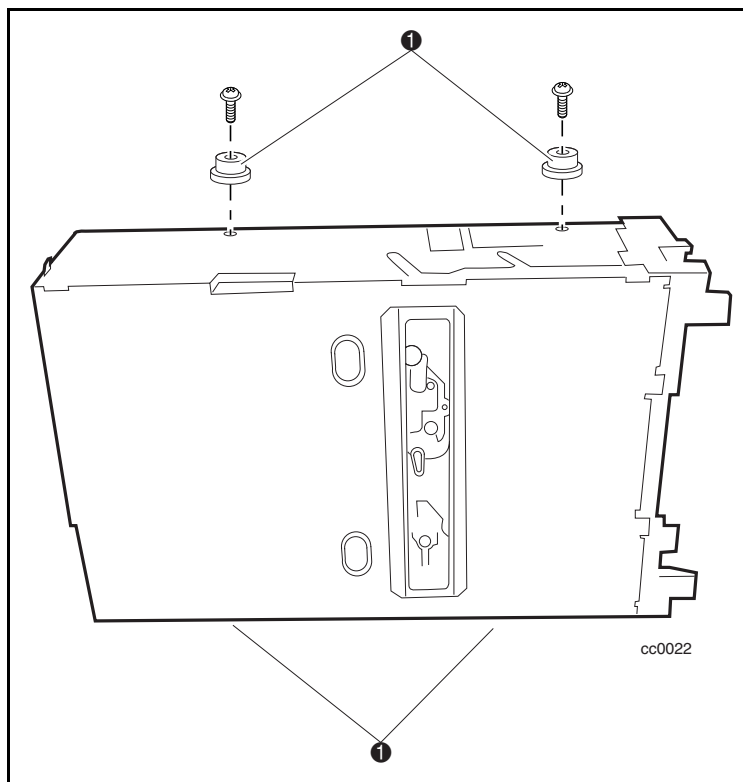


Figure 5. Alignment pin installation

## Installing the New Drive

To install the new drive:

1. Align the new drive with the holes at the bottom of the chassis.
2. Lower the new drive into the chassis (see Figure 6).

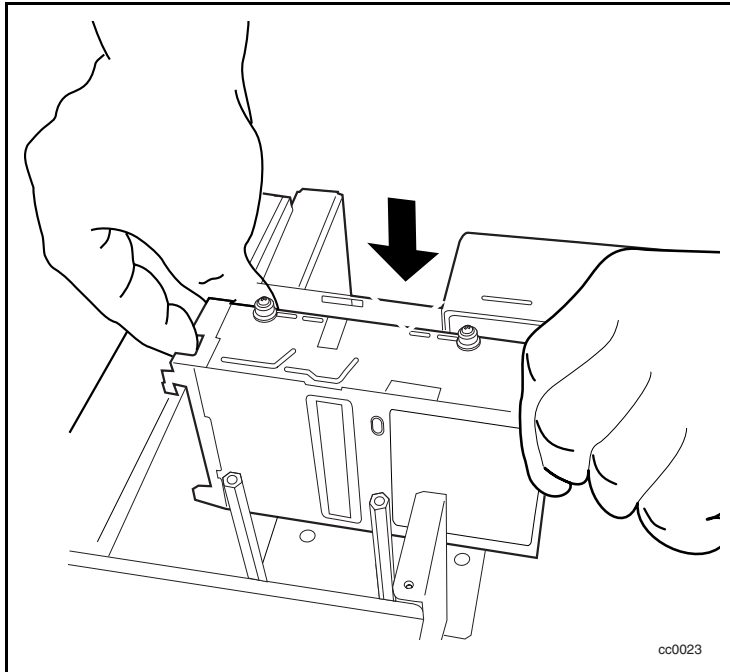


Figure 6. Installing the new drive

3. Connect the power cable ❶, serial cable ❷, and SCSI cable ❸ to the new drive (see Figure 7).

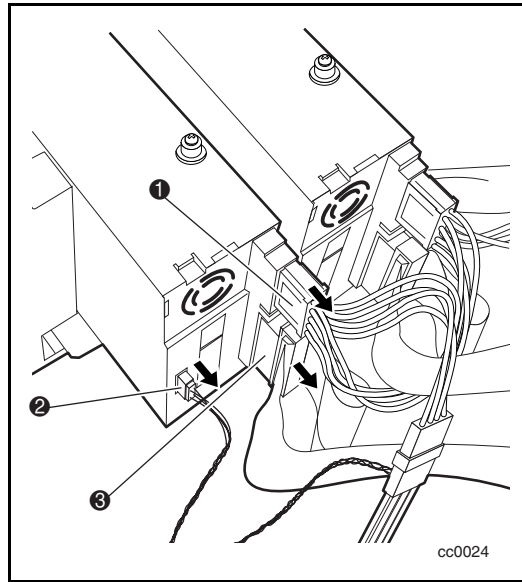


Figure 7. Connecting the new drive

4. Secure the upper drive mounting plate to the new drive and chassis using the previously removed retaining screws.
5. Secure the brace plate to the chassis using the previously removed retaining screws.
6. Place the outside cover onto the chassis and then slide it forward until it is flush with the front panel.
7. Secure the outside cover to the chassis using the previously removed screws.
8. Connect the AIT Library to an AC power source.
9. Turn the AIT Library on and test the operation of the new drive.