

**MA6000 HSG60 Array Controller
ACS Version 8.5 Solution Software
for Windows NT and Windows 2000**

Installation and Configuration Guide

First Edition (May 2000)
Part Number: AA-RMBFA-TE
Compaq Computer Corporation

Notice

© 2000 Compaq Computer Corporation.

COMPAQ, the Compaq logo, and StorageWorks are Registered in U. S. Patent and Trademark Office. NonStop is a trademark and/or service mark of Compaq Information Technologies Group, L.P.

Microsoft, MS-DOS, Windows, Windows NT, and Windows 2000 are trademarks of Microsoft Corporation.

All other product names mentioned herein may be trademarks or registered trademarks of their respective companies.

Confidential computer software. Valid license from Compaq required for possession, use or copying. Consistent with FAR 12.211 and 12.212, Commercial Computer Software, Computer Software Documentation, and Technical Data for Commercial Items are licensed to the U.S. Government under vendor's standard commercial license.

Compaq shall not be liable for technical or editorial errors or omissions contained herein. The information in this document is subject to change without notice.

The information in this publication is subject to change without notice and is provided "AS IS" WITHOUT WARRANTY OF ANY KIND. THE ENTIRE RISK ARISING OUT OF THE USE OF THIS INFORMATION REMAINS WITH RECIPIENT. IN NO EVENT SHALL COMPAQ BE LIABLE FOR ANY DIRECT, CONSEQUENTIAL, INCIDENTAL, SPECIAL, PUNITIVE OR OTHER DAMAGES WHATSOEVER (INCLUDING WITHOUT LIMITATION, DAMAGES FOR LOSS OF BUSINESS PROFITS, BUSINESS INTERRUPTION OR LOSS OF BUSINESS INFORMATION), EVEN IF COMPAQ HAS BEEN ADVISED OF THE POSSIBILITY OF SUCH DAMAGES. THE FOREGOING SHALL APPLY REGARDLESS OF THE NEGLIGENCE OR OTHER FAULT OF EITHER PARTY AND REGARDLESS OF WHETHER SUCH LIABILITY SOUNDS IN CONTRACT, NEGLIGENCE, TORT, OR ANY OTHER THEORY OF LEGAL LIABILITY, AND NOTWITHSTANDING ANY FAILURE OF ESSENTIAL PURPOSE OF ANY LIMITED REMEDY.

The limited warranties for Compaq products are exclusively set forth in the documentation accompanying such products. Nothing herein should be construed as constituting a further or additional warranty.

Printed in the U.S.A.

MA6000 HSG60 Array Controller ACS Version 8.5 Solution Software for Windows NT and Windows 2000
Installation and Configuration Guide
First Edition (May 2000)
Part Number: AA-RMBFA-TE

Table of Contents

About This Guide

Chapter 1

Planning a Subsystem

Controller Designations A and B	1-1
Controller Designations “This Controller” and “Other Controller”	1-2
Selecting a Failover Mode	1-3
Transparent Failover Mode	1-4
Multiple-Bus Failover Mode	1-7
Selecting a Cache Mode	1-9
Read Caching	1-9
Read-Ahead Caching	1-9
Write-Back Caching	1-9
Write-Through Caching	1-10
Enabling Mirrored Caching	1-10
The Command Console LUN	1-11
Determining the Address of the CCL	1-11
In SCSI II Mode:	1-12
Disabling the CCL	1-12
Enabling the CCL	1-12
In SCSI III Mode:	1-12
Connections	1-12
Naming Connections	1-12
Numbers of Connections	1-13
Assigning Unit Numbers	1-17

iv *MA6000 HSG60 Array Controller ACS Version 8.5 Solution Software for Windows NT and Windows 2000
Installation and Configuration Guide*

Matching Units to Host Connections in Transparent Failover Mode	1-17
Matching Units to Host Connections in Multiple-bus Failover Mode.	1-19
Assigning Unit Numbers Depending on SCSI_VERSION	1-20
The CCL in SCSI-3 mode.	1-20
The CCL in SCSI-2 Mode	1-20
Restricting Host Access (Selective Storage Presentation)	1-21
Restricting Host Access in Transparent Failover Mode	1-21
Restricting Host Access by Separate Links	1-22
Restricting Host Access by Disabling Access Paths	1-23
Restricting Host Access by Offsets	1-23
Restricting Host Access in Multiple-Bus Failover Mode	1-24
Restricting Host Access by Disabling Access Paths	1-24
Restricting Host Access by Offsets	1-27
Worldwide Names (Node IDs and Port IDs)	1-28
Restoring Worldwide Names (Node IDs)	1-28

Chapter 2

Planning Storage

Where to Start	2-2
Configuration Rules	2-3
Device PTL Addressing Convention.	2-4
Determining Storage Requirements	2-7
Choosing a Container Type.	2-7
Creating a Storageset Profile.	2-10
Storageset Planning Considerations	2-12
Stripeset Planning Considerations	2-12
Mirrorset Planning Considerations	2-14
RAIDset Planning Considerations	2-16
Striped Mirrorset Planning Considerations	2-18
Partition Planning Considerations.	2-20
Defining a Partition	2-20
Guidelines for Partitioning Storagesets and Disk Drives.	2-21
Changing Characteristics through Switches	2-21
Enabling Switches	2-22
Changing Switches.	2-22
Storageset and Partition Switches	2-22
RAIDset Switches.	2-23
Mirrorset Switches	2-23
Partition Switches	2-23
Initialization Switches.	2-24
Chunk Size	2-24

Increasing the Request Rate	2-24
Increasing the Data Transfer Rate	2-26
Increasing Sequential Write Performance	2-27
Save Configuration	2-27
Destroy/Nodestroy	2-27
Geometry	2-28
Unit Switches	2-28
Storage Maps	2-28
Creating a Storage Map	2-28
Example Storage Map	2-29
Using the LOCATE Command to Find Devices	2-31

Chapter 3

Preparing the Host System

Making a Physical Connection	3-1
Preparing to Install the Host Adapter	3-1
Installing the Host Adapter	3-2
Installing the KGPSA Adapter Device Driver	3-2
For Windows NT 4.0	3-2
For Windows 2000	3-3
Initial Setup Settings	3-4
Terms and Definitions	3-4
Settings	3-4
Install the RAID Windows NT and Windows 2000 Device Driver	3-6
HSxDisk Driver	3-7
KGPSA Driver Support	3-7
Installing SWCC Client and Creating Your First Virtual Disk	3-8
Connection Methods	3-9
Serial Port Connection	3-9
Other Communication Methods	3-10
Installing StorageWorks Command Console Client	3-10
Launching Command Console Client	3-11
Establishing a Serial Connection to the HSG60 Storage Window	3-11
Controller Properties	3-12
Creating Your First Virtual Disk	3-14
Start the Wizard	3-14
Verifying/Installing Required Versions	3-15
Verifying that HSZDISK.SYS loaded	3-15
Completing a New RAID Array Configuration	3-16
Starting the Disk Administrator	3-16
Understanding the Disk Administrator Display	3-16

vi *MA6000 HSG60 Array Controller ACS Version 8.5 Solution Software for Windows NT and Windows 2000
Installation and Configuration Guide*

Verifying your Configuration	3-17
Creating the Partitions	3-17
Making Drive Letters Permanent.....	3-17
Committing the Changes	3-18
Formatting the Newly Created Partitions.....	3-18
Changes to RAID Array Configuration	3-19
Removing Disk Partitions	3-19
.....	3-19

Chapter 4

Installing and Configuring the HS-Series Agent

Why Use StorageWorks Command Console?	4-1
Before You Install the Agent	4-5
Installing and Configuring the Agent	4-5
Reconfiguring the Agent	4-7
Changing the Agent Access Password.....	4-7
Adding a Client System Entry	4-8
Modifying a Client System Entry	4-9
Deleting a Client System Entry	4-10
Adding a Subsystem Entry	4-11
Modifying a Subsystem Entry	4-12
Deleting a Subsystem Entry	4-13
Stopping and Starting the Agent	4-14
From Windows NT	4-14
From Windows 2000	4-14
Disabling and Enabling the Agent Startup at System Boot	4-15
From Windows NT	4-15
From Windows 2000	4-15
Removing the Agent	4-16

Chapter 5

Configuration Procedures

Establishing a Local Connection	5-2
Setting Up a Single Controller	5-3
Power On and Establish Communication	5-3
Cabling a Single controller	5-4
Configuring a Single Controller using CLI	5-5
Verifying Installation	5-8
Setting Up a Controller Pair	5-9
Power On and Establish Communication	5-9
Cabling a Controller Pair	5-10

Configuring a Controller Pair using CLI	5-11
Verifying Installation	5-15
Configuring Devices	5-16
Configuring a Stripset	5-16
Configuring a Mirrorset	5-17
Configuring a RAIDset	5-17
Configuring a Striped Mirrorset	5-18
Configuring a Single-Disk (JBOD) Unit	5-19
Configuring a Partition	5-19
Assigning Unit Numbers and Unit Qualifiers	5-20
Assigning a Unit Number to a Storageset	5-21
Assigning a Unit Number to a Single (JBOD) Disk	5-21
Assigning a Unit Number to a Partition	5-21
Assigning Unit Identifiers	5-22
Using CLI to Specify Identifier for a Unit	5-22
Using SWCC to Specify LUN ID Alias for a Virtual Disk	5-22
Preferring Units	5-23
Configuration Options	5-23
Changing the CLI Prompt	5-23
Mirroring cache	5-23
Adding Disk Drives	5-24
Adding a Disk Drive to the Spareset	5-24
Removing a Disk Drive from the Spareset	5-25
Enabling Autospare	5-25
Deleting a Storageset	5-26
Changing Switches for a Storageset or Device	5-26
Displaying the Current Switches	5-26
Changing RAIDset and Mirrorset Switches	5-26
Changing Device Switches	5-27
Changing Initialize Switches	5-27
Changing Unit Switches	5-27

Chapter 6

Verifying Storage Configuration from the Host

Chapter 7

Configuration Example Using CLI

CLI Configuration Example	7-4
-------------------------------------	-----

Chapter 8

Backing Up the Subsystem, Cloning Data for Backup, and Moving Stagesets

Backing Up the Subsystem Configuration	8-1
Cloning Data for Backup	8-2
Moving Stagesets	8-6

Appendix A

Subsystem Profile Templates

Stageset Profile	A-2
Storage Map Template 1	A-3
Storage Map Template 2	A-4
Storage Map Template 3	A-5

Index

Figures

- Figure 1-1. Location of controllers and cache modules 1-2
- Figure 1-2. “This controller” and “other controller” 1-3
- Figure 1-3. Transparent failover - normal operation 1-5
- Figure 1-4. Transparent failover - after failover from controller B to controller A. 1-6
- Figure 1-5. Typical multiple-bus configuration 1-8
- Figure 1-6. Mirrored caching 1-10
- Figure 1-7. Connections in separate-link, transparent failover mode configurations 1-14
- Figure 1-8. Connections in single-link, transparent failover mode configurations 1-15
- Figure 1-9. Connections in multiple-bus failover mode 1-16
- Figure 1-10. LUN presentation to hosts, as determined by offset 1-18
- Figure 1-11. Limiting host access in transparent failover mode 1-22
- Figure 1-12. Limiting host access in multiple-bus failover mode 1-25
- Figure 1-13. Placement of the worldwide name label 1-29
- Figure 2-1. PTL naming convention 2-4
- Figure 2-2. PTL addressing in a single-bus configuration, using two shelves 2-5
- Figure 2-3. PTL addressing in a dual-bus configuration 2-5
- Figure 2-4. Mapping a unit to physical disk drives 2-6
- Figure 2-5. Container types 2-8
- Figure 2-6. An example storageset profile 2-11
- Figure 2-7. A 3-member RAID 0 stripeset (example 1) 2-12
- Figure 2-8. A 3-member RAID 0 stripeset (example 2) 2-13
- Figure 2-9. Mirrorsets maintain two copies of the same data 2-15
- Figure 2-10. Mirrorset example 2 2-15
- Figure 2-11. A five member RAIDset using parity 2-17
- Figure 2-12. Striped mirrorset (example 1) 2-18

x *MA6000 HSG60 Array Controller ACS Version 8.5 Solution Software for Windows NT and Windows 2000
Installation and Configuration Guide*

Figure 2–13. Striped mirrorset (example 2)	2–19
Figure 2–14. One example of a partitioned single-disk unit	2–20
Figure 2–15. Chunk size larger than the request size.	2–25
Figure 2–16. Chunk size smaller than the request size	2–26
Figure 2–17. Example storage map-single bus	2–29
Figure 2–18. Example storage map-dual bus.	2–30
Figure 4–1. An example of a network connection	4–4
Figure 5–1. Maintenance port connection	5–2
Figure 5–2. Single controller cabling.	5–4
Figure 5–3. Controller pair failover cabling.	5–10
Figure 7–1. Example storage map	7–2
Figure 7–2. Example system	7–3
Figure 7–3. Example virtual layout from the hosts' point of view	7–4
Figure 8–1. Steps the CLONE utility follows for duplicating unit members	8–3

Tables

Table 1-1 Unit Assignments and SCSI_VERSION.....	1-21
Table 2-1 A Comparison of Container Types	2-9
Table 2-2 Example Chunk Sizes	2-26
Table 4-1 SWCC Features and Components	4-2
Table 4-2 Installation and Configuration Overview	4-3
Table 4-3 Client System Notification Options.....	4-6
Table 4-4 Client System Access Options.....	4-6

About This Guide

Conventions

Text Conventions

Table 1 Text Conventions	
Convention	Meaning
Bold	Keyboard keys appear in boldface. For example: Enter/Return or Y (es) key
SMALL CAPS	Used to indicate the status of an LED. For example: FLASHING on and off or ON steady
ALLCAPS	Command syntax that must be entered exactly as shown and for commands discussed within text, for example: SET FAILOVER COPY=OTHER_CONTROLLER “Use the SHOW SPARESET command to show the contents of the spareset.”
Monospaced	Screen display.
<i>italic</i>	User entered command variable or numeric value, for example: SHOW RAIDset-name or set this_controller id=(n,n,n,n,n) Reference to other publications, for example: “See the HSG60 Array Controller ACS Version 8.5 Release Notes for details.”

Table 1 Text Conventions (Continued)	
Convention	Meaning
.	Indicates that a portion of an example or figure has been omitted.
“this controller”	The controller serving the current CLI session through a local or remote terminal.
“other controller”	The controller in a dual-redundant pair that’s connected to the controller serving the current CLI session.

Special Notices

This guide does not contain detailed descriptions of standard safety procedures. However, it does contain warnings for procedures that might cause personal injury and cautions for procedures that might damage the controller or its related components. Look for these symbols when performing the procedures in this guide:



WARNING: A warning indicates the presence of a hazard that can cause personal injury if precautions in the text are not observed.



CAUTION: A caution indicates the presence of a hazard that might damage hardware, corrupt software, or cause a loss of data.

IMPORTANT: An *important* note is a type of note that provides information essential to the completion of a task. Users can disregard information in a note and still complete a task, but they should not disregard an important note.

NOTE: A note provides additional information that is related to the completion of an instruction or procedure.

Related Publications

The following table lists some of the documents related to the use of the controller, cache module, and external cache battery.

Table 2 Relevant Publications	
Document Title	Part Number
<i>Compaq StorageWorks HSG60/HSG80 Array Controller ACS Version 8.5 Maintenance and Service Guide</i>	EK-HSG84-SV. D01
<i>Compaq StorageWorks HSG60/HSG80 Array Controller ACS Version 8.5 CLI Reference Guide</i>	EK-HSG85-RG. B01
<i>Compaq StorageWorks Command Console Version 2.3 for the MA6000 User Guide</i>	AA-RMBDA-TE
<i>Compaq StorageWorks Fibre Channel Storage Switch Service Guide</i>	AA-RHBZA-TE / 135268-001
<i>Compaq StorageWorks Fibre Channel Storage Switch User Guide</i>	AA-RHBYA-TE / 135267-001
<i>Compaq StorageWorks Fibre Channel Switch Quick Setup Guide</i>	AA-RHC0A-TE / 135269-001
<i>Compaq StorageWorks KGPSA PCI-to-Fibre Channel Host Adapter</i>	EK-KGPSA-UG
<i>The RAIDBOOK—A Source Book for Disk Array Technology</i>	RAID Advisory Board: I.S.B.N 1-879936-90-9
<i>Enclosure 4200 Family LVD Disk Enclosures User Guide</i>	EK-SW2ZS-UA.B01 / 148451-002
<i>Model 2100 and 2200 Ultra SCSI Controller Enclosure</i>	EK-SE2C8-UA.B01 / 127422-002

Revision History

First Release: May 2000

Chapter 1

Planning a Subsystem

This chapter provides information that helps you plan the configuration of the subsystem. Read Chapter 2 to plan the types of storage containers you need.

This chapter frequently references the command line interface (CLI). For the complete syntax and descriptions of the CLI commands, see the *Compaq StorageWorks HSG60/HSG80 Array Controller ACS Version 8.5 CLI Reference Guide*.

The following information is included in this chapter:

- “Controller Designations A and B,” page 1–1
- “Selecting a Failover Mode,” page 1–3
- “Selecting a Cache Mode,” page 1–9
- “Enabling Mirrored Caching,” page 1–10
- “The Command Console LUN,” page 1–11
- “Connections,” page 1–12
- “Assigning Unit Numbers,” page 1–17
- “Restricting Host Access (Selective Storage Presentation),” page 1–21
- “Worldwide Names (Node IDs and Port IDs),” page 1–28

Controller Designations A and B

The terms A, B, “this controller,” and “other controller” are used to distinguish one controller from another in a two-controller (also called dual-redundant) subsystem. These terms are described in the following sections.

Controllers and cache modules are designated either A or B depending on their location in the enclosure, as shown in Figure 1-1.

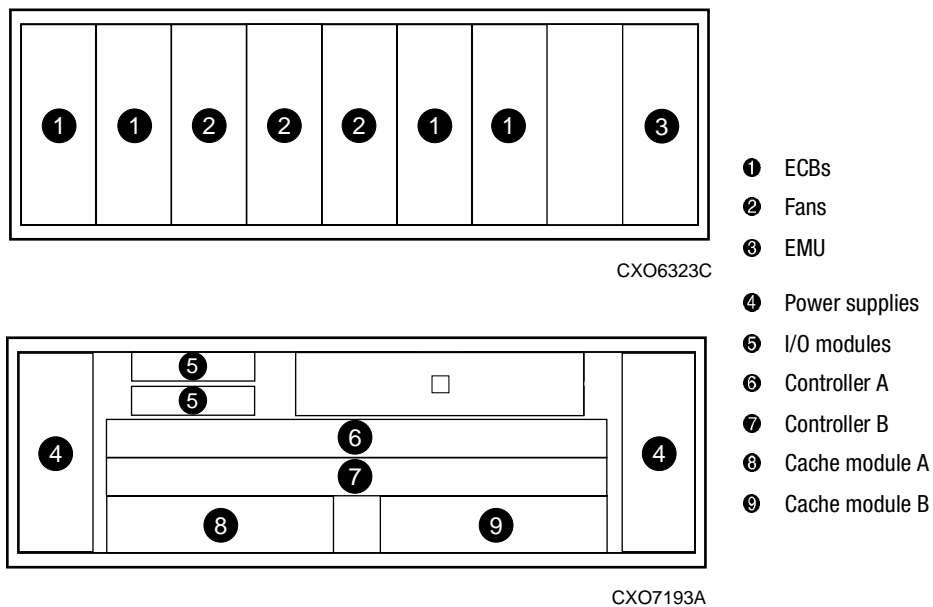


Figure 1-1. Location of controllers and cache modules

Controller Designations “This Controller” and “Other Controller”

Some CLI commands use the terms “this” and “other” to identify one controller or the other in a dual-redundant pair. These designations are a shortened form of “this controller” and “other controller.” These terms are defined as follows:

- **“this controller”**—the controller that is the focus of the CLI session. “This controller” is the controller to which the maintenance terminal is attached and through which the CLI commands are being entered. “This controller” can be shortened to “this” in CLI commands.
- **“other controller”**—the controller that is not the focus of the CLI session and through which CLI commands are not being entered. “Other controller” can be shortened to “other” in CLI commands.

Figure 1-2 shows the relationship between “this controller” and “other controller.”

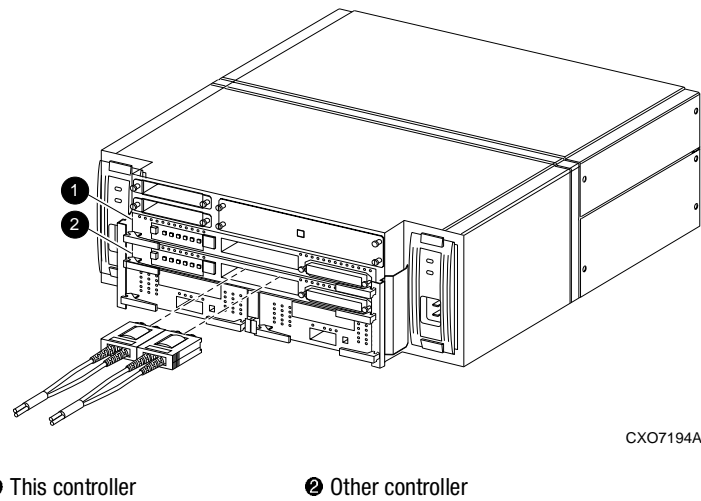


Figure 1-2. “This controller” and “other controller”

Selecting a Failover Mode

Failover is a way to keep the storage array available to the host if one controllers becomes unresponsive. A controller can become unresponsive because of a hardware failure such as a host bus adapter or controller or, in multiple-bus only, to a failure of the link between host and controller. Failover keeps the storage array available to the hosts by allowing the surviving controller to take over total control of the subsystem.

There are two failover modes:

- **transparent**, which is handled by the surviving controller and is transparent (invisible) to the hosts
- **multiple-bus**, which is handled by the hosts

Either mode of failover can work with loop or fabric topology.

Transparent Failover Mode

Transparent failover mode has the following characteristics:

- hosts do not know failover has taken place
- units are divided between host ports 1 and 2

A unit or storage unit is a physical or virtual device in the MA6000 RAID system. It is typically assigned a logical unit number (LUN) and is managed by the HSG60 controller and presented to a server through the Fibre Channel bus and servers host bus adapter. Disks which are set up as JBODs or RAIDsets are referred to as storagesets. Storagesets are units.

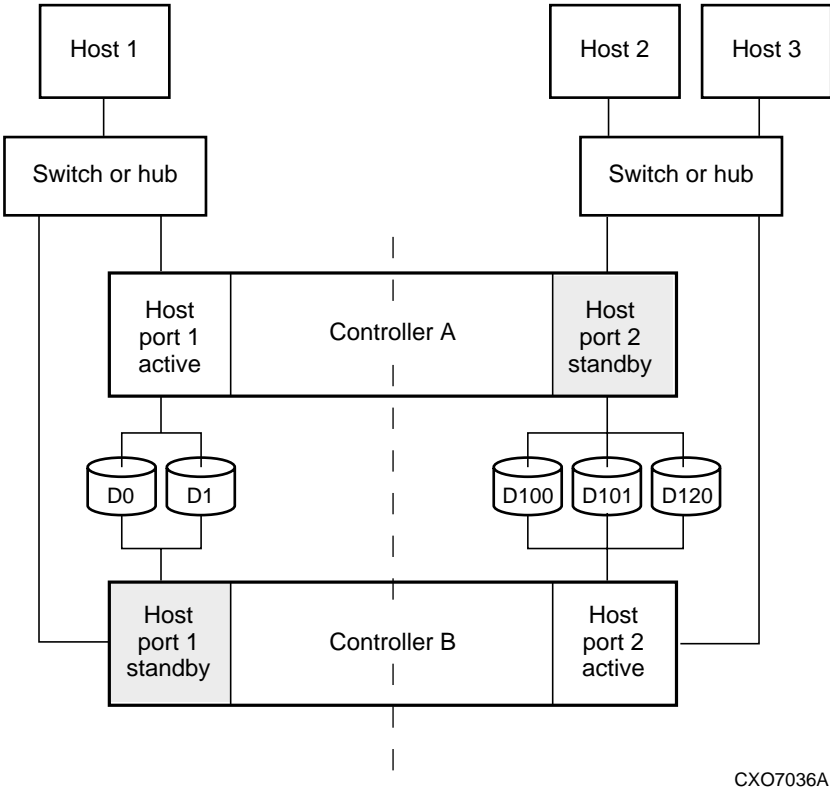
In transparent failover mode, host port 1 of controller A and host port 1 of controller B must be on the same Fibre Channel link. Host port 2 of controller A and host port 2 of controller B must also be on the same Fibre Channel link. Depending on operating system restrictions and requirements, the port 1 link and the port 2 link can be separate links, or they can be the same link.

At any one time, host port 1 is active on only one controller and host port 2 is active on only one controller. The other ports are in standby mode. In normal operation, controller A's port 1 is active and controller B's port 2 is active. A representative configuration is shown in Figure 1-3. The active and standby ports share port identity, enabling the standby port to take over for the active one. If one controller fails, its companion controller (known as the surviving controller) takes over control by making both its host ports active, as shown in Figure 1-4.

Units are divided between the host ports:

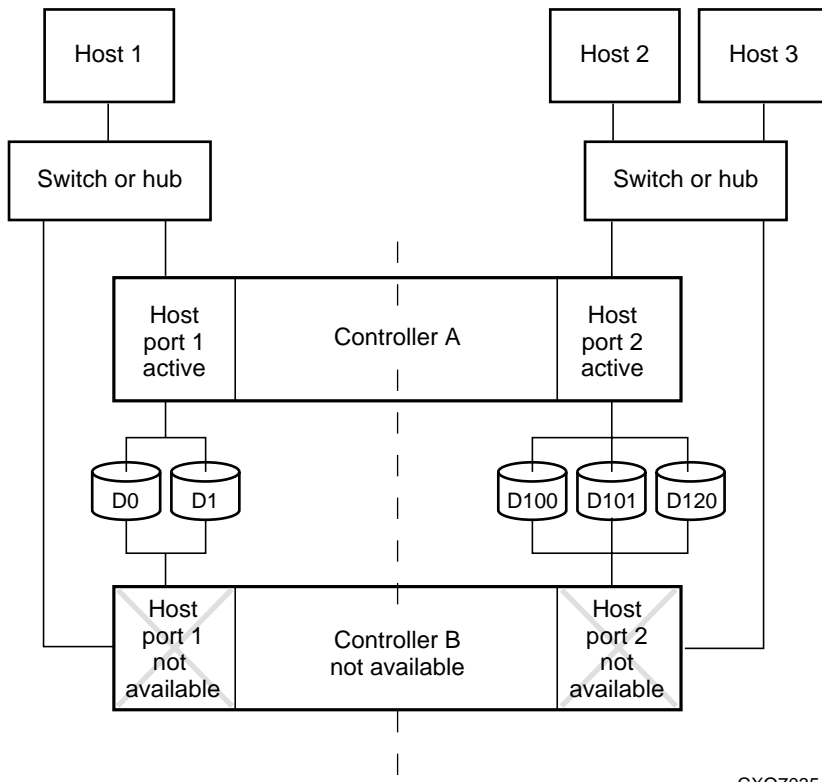
- Units 0-99 are on host port 1 of both controllers (but accessible only through the active port)
- Units 100-199 are on host port 2 of both controllers (but accessible only through the active port)

The limitation of transparent failover is that it only compensates for a controller failure, and not for failures of either the Fibre Channel link or host Fibre Channel adapters.



CXO7036A

Figure 1-3. Transparent failover - normal operation



CXO7035A

Figure 1-4. Transparent failover - after failover from controller B to controller A

Multiple-Bus Failover Mode

Multiple-bus failover mode has the following characteristics:

- host controls the failover process by moving the unit(s) from one controller to another
- all units (0 through 199) are visible at all host ports
- each host has two or more paths to the units

Each host must have special software to control failover. With this software, the host sees the same units visible through two (or more) paths. When one path fails, the host can issue commands to move the units from one path to another. A typical multiple-bus failover configuration is shown in Figure 1-5.

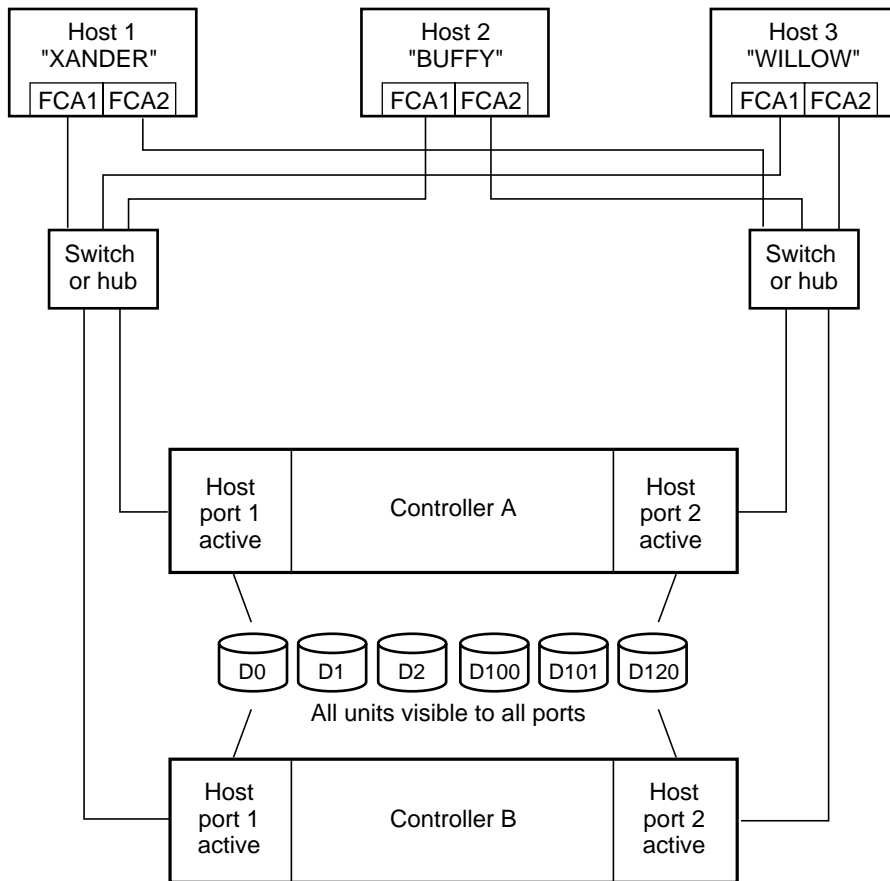
In multiple-bus failover mode, you can specify which units are normally serviced by a specific controller of a controller pair. This process is called preferring or preferment. Units can be preferred to one controller or the other by the *PREFERRED_PATH* switch of the ADD (or SET) UNIT command. For example, use the following command to prefer unit D101 to 'this controller':

```
SET D101 PREFERRED_PATH=THIS_CONTROLLER
```

NOTE: This is an initial preference, which can be overridden by the hosts.

Keep the following points in mind when configuring controllers for multiple-bus failover:

- multiple-bus failover can compensate for a failure in any of the following:
 - controller
 - switch or hub
 - Fibre Channel link
 - host Fibre Channel adapter
- a host can re-distribute the I/O load between the controllers
- all hosts must have operating-system software that supports multiple-bus failover mode



NOTE: FCA = Fibre Channel Adapter

CXO7094A

Figure 1-5. Typical multiple-bus configuration

Selecting a Cache Mode

The cache module supports read, read-ahead, write-through, and write-back caching techniques. Cache technique is selected separately for each unit. For example, you can enable only read and write-through caching for some units while enabling only write-back caching for other units.

Read Caching

When the controller receives a read request from the host, it reads the data from the disk drives, delivers it to the host, and stores the data in its cache module. Subsequent reads for the same data will take the data from cache rather than accessing the data from the disks. This process is called read caching.

Read caching can give improved response time to many of the host's read requests. By default, read caching is enabled for all units.

Read-Ahead Caching

During read-ahead caching, the controller anticipates subsequent read requests and begins to prefetch the next blocks of data from the disks as it sends the requested read data to the host. This is a parallel action. The controller notifies the host of the read completion, and subsequent sequential read requests are satisfied from the cache memory. By default, read-ahead caching is enabled for all units.

Write-Back Caching

Write-back caching improves the subsystem's response time to write requests by allowing the controller to declare the write operation complete as soon as the data reaches cache memory. The controller performs the slower operation of writing the data to the disk drives at a later time.

By default, write-back caching is enabled for all units, but only if there is a backup power source for the cache modules (either batteries or an uninterruptable power supply).

Write-Through Caching

When the controller receives a write request from the host, it places the data in its cache module, writes the data to the disk drives, then notifies the host when the write operation is complete. This process is called write-through caching because the data actually passes through—and is stored in—the cache memory on its way to the disk drives. Write-through caching is enabled when write-back caching is disabled.

Enabling Mirrored Caching

In mirrored caching, half of each controller's cache mirrors the companion controller's cache, as shown in Figure 1-6.

The total memory available for cached data is reduced by half, but the level of protection is greater.

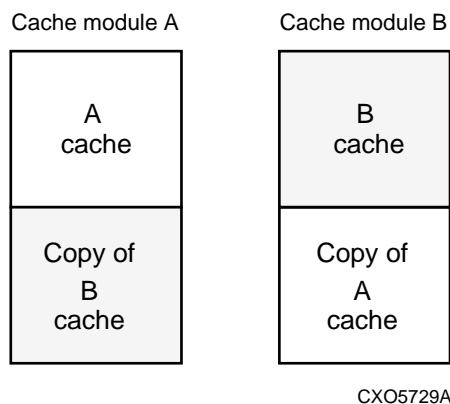


Figure 1-6. Mirrored caching

Before enabling mirrored caching, make sure the following conditions are met:

- both controllers support the same size cache
- diagnostics indicates that both caches are good
- no unit errors are outstanding, for example, lost data or data that cannot be written to devices
- both controllers are started and configured in failover mode

The Command Console LUN

StorageWorks Command Console (SWCC) Software communicates with HSG60 controllers through an existing storage unit, or LUN (logical unit number). The dedicated LUN that SWCC uses is called the CCL (Command Console LUN). CCL serves as the communication device for the HS-Series Agent and identifies itself to the host by a unique identification string. By default, a CCL device is enabled within the HSG60 controller on Host Port 1. There are two modes that HSG60 uses, SCSI-2 and SCSI-3. CCL behaves differently for each and Windows NT and Windows 2000 have specific requirements for CCL behavior. See Chapter 2 for a more detailed explanation.

The Command Console LUN (CCL) does the following:

- Allows the RAID Array to be recognized by the host as soon as it is attached to the SCSI bus and configured into the operating system.
- Serves as a communications device for the HS-Series Agent. The CCL identifies itself to the host by a unique identification string.

In general, you will need to create a storageset to be used as a CCL for Port 2. This is a requirement for the HS-Series Agent.

In dual-redundant controller configurations, the following commands alter the setting of the CCL on both controllers. The CCL is enabled only on Host Port 1. At least one storage device must be configured on Host Port 2 before installing the Agent on a host connected to Host Port 2. This can be any type of storage device.

Select a storageset that you plan to configure and that is not likely to change. This storageset can be used by the Agent to communicate with the RAID Array. Deleting this storageset (LUN) later breaks the connection between the Agent and the RAID Array.

Determining the Address of the CCL

The default is for the CCL to be enabled. Its address can be determined by entering the following CLI command:

```
HSG60 > SHOW THIS_CONTROLLER
```

In SCSI II Mode:

Disabling the CCL

To disable the CCL, enter the following CLI command:

```
HSG60 > SET THIS_CONTROLLER NOCOMMAND_CONSOLE_LUN
```

Enabling the CCL

To enable the CCL, enter the following CLI command:

```
HSG60 > SET THIS_CONTROLLER COMMAND_CONSOLE_LUN
```

To see the state of the CCL, use the SHOW “this controller”/ “other controller” command. Because the CCL is not an actual LUN, the SHOW UNITS command will not display the CCL location.

In SCSI III Mode:

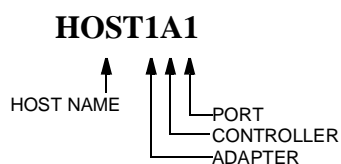
The CCL is enabled all the time. There is no option to enable/disable.

Connections

The term “connection” applies to every path between a Fibre Channel adapter in a host computer and an active host port on a controller.

Naming Connections

Compaq highly recommends that you assign names to connections that have meaning in the context of your particular configuration. One system that works well is to name each connection after its host, its adapter, its controller, and its controller host port, as follows:



Examples:

A connection from the first adapter in host SPGS that goes to port 1 of controller A would be called SPGS1A1.

A connection from the third adapter in host LONDON that goes to port 2 of controller B would be called LONDON3B2.

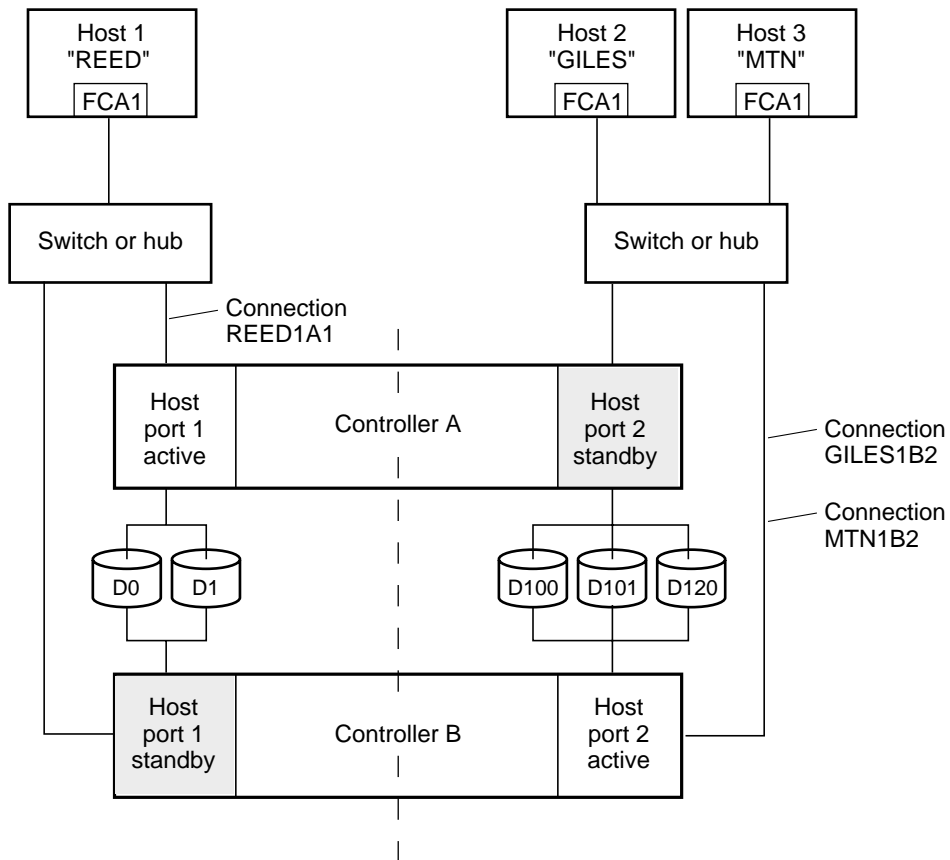
NOTE: Connection names can have a maximum of 9 characters.

Numbers of Connections

The number of connections resulting from cabling one adapter into a switch or hub depends on failover mode and how many links the configuration has:

- If a controller pair is in transparent failover mode and the port 1 link is separate from the port 2 link (that is, ports 1 of both controllers are on one loop or fabric, and port 2 of both controllers are on another), each adapter will have one connection, as shown in Figure 1-7.
- If a controller pair is in transparent failover mode and port 1 and port 2 are on the same link (that is, all ports are on the same loop or fabric), each adapter will have two connections, as shown in Figure 1-8.
- If a controller pair is in multiple-bus failover mode, each adapter has two connections, as shown in Figure 1-9.

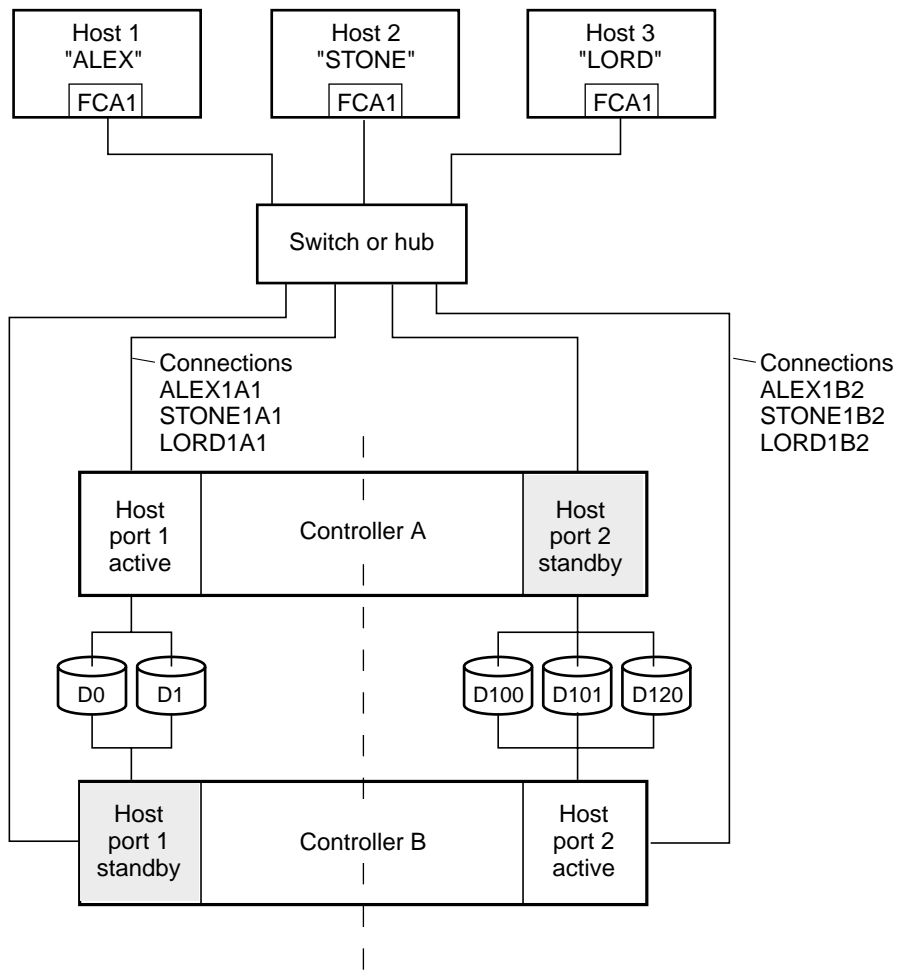
1-14 MA6000 HSG60 Array Controller ACS Version 8.5 Solution Software for Windows NT and Windows 2000
 Installation and Configuration Guide



NOTE: FCA = Fibre Channel Adapter

CXO7081A

Figure 1-7. Connections in separate-link, transparent failover mode configurations

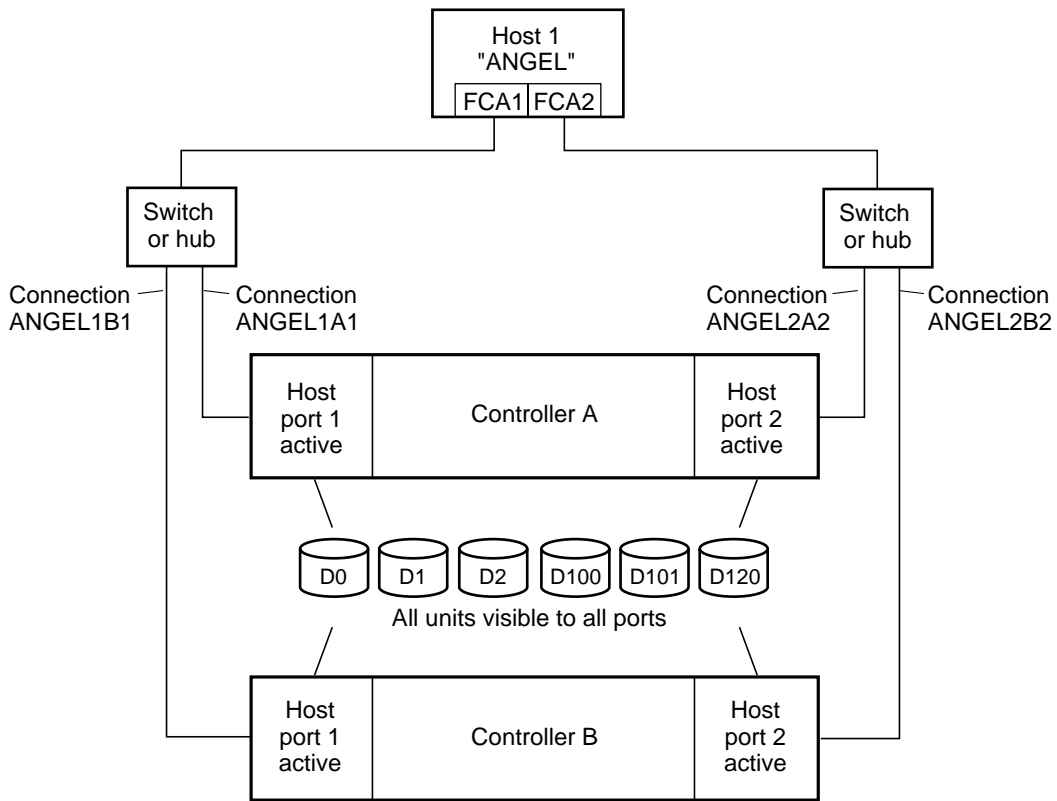


NOTE: FCA = Fibre Channel Adapter

CXO7079A

Figure 1-8. Connections in single-link, transparent failover mode configurations

1-16 MA6000 HSG60 Array Controller ACS Version 8.5 Solution Software for Windows NT and Windows 2000 Installation and Configuration Guide



NOTE: FCA = Fibre Channel Adapter

CXO7080A

Figure 1-9. Connections in multiple-bus failover mode

Assigning Unit Numbers

The controller keeps track of the unit with the unit number. Unit number can be from 0 - 199 prefixed by a D, which stands for disk drive. A unit can be presented as different LUNs to different connections. The interaction of a unit and a connection is determined by several factors:

- failover mode of the controller pair
- the *ENABLE_ACCESS_PATH* and *PREFERRED_PATH* switches in the *ADD UNIT* (or *SET unit*) commands
- the *UNIT_OFFSET* switch in the *ADD CONNECTIONS* (or *SET connections*) commands
- which controller port the connection is attached to
- the *SCSI_VERSION* switch of the *SET this_controller/other_controller* command

The considerations for assigning unit numbers are discussed in the following sections.

Matching Units to Host Connections in Transparent Failover Mode

In transparent failover mode, the *ADD UNIT* command creates a unit for host connection(s) to access and assigns it to either port 1 of both controllers or to port 2 of both controllers.

Unit numbers are assigned to ports as follows:

- 0 - 99 are assigned to host port 1 of both controllers
- 100 - 199 are assigned to host port 2 of both controllers

For example, unit D2 is on port 1 and unit D102 is on port 2.

What LUN number a host connection assigns to a unit is a function of the *UNIT_OFFSET* switch of the *ADD* (or *SET*) *CONNECTIONS* command. The relationship of offset, LUN number, and unit number is as follows:

$$\text{LUN number} = \text{unit number} - \text{offset}$$

- LUN number is relative to the host (what the host sees the unit as)
- unit number is relative to the controller (what the controller sees the unit as)

If no value is specified for offset, then connections on port 1 have a default offset of 0 and connections on port 2 have a default offset of 100.

For example, if all host connections use the default offset values, unit D2 will be presented to a port 1 host connection as LUN 2 (unit number of 2 minus offset of 0). Unit 102 will be presented to a port 2 host connection as LUN 2 (unit number of 102 minus offset of 100).

Figure 1-10 shows how units are presented as different LUNs, depending on the offset of the host. In this illustration, host connection 1 and host connection 2 would need to be on host port 1; host connection 3 would need to be on host port 2.

Controller units	Host connection 1 Offset: 0	Host connection 2 Offset: 20	Host connection 3 Offset: 100
D0	LUN 0		
D1	LUN 1		
D2	LUN 2		
D3	LUN 3		
D20	LUN 20	LUN 0	
D21	LUN 21	LUN 1	
D100			LUN 0
D101			LUN 1
D102			LUN 2
D130			LUN 30
D131			LUN 31

CX06455B

Figure 1-10. LUN presentation to hosts, as determined by offset

Offsets other than the default values can be specified. For example, unit D17 would be visible to a host connection on port 1 that had an offset of 10 as LUN 7 (unit number of 17 minus offset of 10). The unit would not be visible at all to a host connection with a unit offset of 18 or greater, because that offset is not within the units range (unit number of 17 minus offset of 18 is a negative number).

Similarly, unit D127 would be visible to a host connection on port 2 that had an offset of 120 as LUN 7 (unit number of 127 minus offset of 120). The unit would not be visible at all to a host connection with a unit offset of 128 or greater, because that offset is not within the units range (unit number of 127 minus offset of 128 is a negative number).

An additional factor to consider when assigning unit numbers and offsets is SCSI version. If the *SCSI_VERSION* switch of the SET *this_controller/other_controller* command is set to SCSI-3, the Command Console LUN (CCL) is presented as LUN 0 to every connection, superseding any unit assignments. The interaction between SCSI version and unit numbers is explained further in “Assigning Unit Numbers Depending on SCSI_VERSION” on page 1-20.

In addition, the access path to the host connection must be enabled for the connection to access the unit. See “Restricting Host Access in Transparent Failover Mode,” page 1-21.

Matching Units to Host Connections in Multiple-bus Failover Mode

In multiple-bus failover mode, the ADD UNIT command creates a unit for host connections to access. All unit numbers (0 through 199) are potentially visible on all four controller ports, but are accessible only to those host connections for which access path is enabled and which have offsets in the unit's range.

What LUN number a host connection assigns to a unit is a function of the *UNIT_OFFSET* switch of the ADD (or SET) CONNECTIONS command. The default offset is 0. The relationship of offset, LUN number, and unit number is as follows:

$$\text{LUN number} = \text{unit number} - \text{offset}$$

- LUN number is relative to the host (what the host sees the unit as)
- unit number is relative to the controller (what the controller sees the unit as)

For example, unit D17 would be visible to a host connection with an offset of 0 as LUN 17 (unit number of 17 minus offset of 0). The same unit would be visible to a host connection with an offset of 10 as LUN 7 (unit number of 17 minus offset of 10). The unit would not be visible at all to a host connection with a unit offset of 18 or greater, because that offset is not within the units range (unit number of 17 minus offset of 18 is a negative number).

In addition, the access path to the host connection must be enabled for the connection to access the unit. This is done through the *ENABLE_ACCESS_PATH* switch of the ADD UNIT (or SET *unit*) command.

Which controller of a dual-redundant pair initially accesses the unit is determined by the *PREFERRED_PATH* switch of the ADD UNIT (or SET *unit*) command. Initially *PREFERRED_PATH* determines which controller presents the unit as Ready. The other controller presents the unit as Not Ready. Hosts can issue a SCSI Start Unit command to move the unit from one controller to the other.

Assigning Unit Numbers Depending on *SCSI_VERSION*

The *SCSI_VERSION* switch of the SET *this/other controller* command determines how the Command Console LUN (CCL) is presented. There are two choices: SCSI-2 and SCSI-3. The choice for *SCSI_VERSION* effects how certain unit numbers and certain host connection offsets interact.

The CCL in SCSI-3 mode

If *SCSI_VERSION* is set to SCSI-3, the CCL is presented as LUN 0 to all connections. The CCL supersedes any other unit assignment. Therefore, in SCSI-3 mode, a unit that would normally be presented to a connection as LUN 0 is not visible to that connection at all.

The following are recommendations for assigning host connection offsets and unit numbers in SCSI-3 mode:

- Offsets should be divisible by 10 (for consistency and simplicity)
- Unit numbers should not be assigned at connection offsets (to avoid being masked by the CCL at LUN 0)

For example, if a host connection has an offset of 20 and SCSI-3 mode is selected, the connection will see LUNs as follows:

LUN 0 - CCL

LUN 1 - unit 21

LUN 2 - unit 22, etc.

In this example, if a unit 20 is defined, it will be superseded by the CCL and invisible to the connection.

The CCL in SCSI-2 Mode

Some operating systems expect or require a disk unit to be at LUN 0. In this case, it is necessary to specify SCSI-2 mode.

If *SCSI_VERSION* is set to SCSI-2 mode, the CCL floats, moving to the first available LUN location, depending on the configuration.

Recommendations for assigning host connection offsets and unit numbers in SCSI-2 mode are as follows:

- Offsets should be divisible by 10 (for consistency and simplicity)

- Unit numbers should be assigned at connection offsets (so that every host connection has a unit presented at LUN 0)

Table 1-2 summarizes the recommendations for unit assignments based on the *SCSI_VERSION* switch.

SCSI_VERSION	Offset	Unit Assignment	What the connection sees LUN 0 as
SCSI-2	Divisible by 10	At offsets	Unit whose number matches offset
SCSI-3	Divisible by 10	Not at offsets	CCL

Restricting Host Access (Selective Storage Presentation)

In a subsystem that is attached to more than one host or if the hosts have more than one adapter, it is possible to reserve certain units for the exclusive use of certain host connections.

For a controller pair, the method used to restrict host access depends on whether the controllers are in transparent or multiple-bus failover mode. For a single controller, the methods are the same as for a controller pair in transparent failover.

Restricting Host Access in Transparent Failover Mode

Three methods can be used to restrict host access to storage units in transparent failover mode:

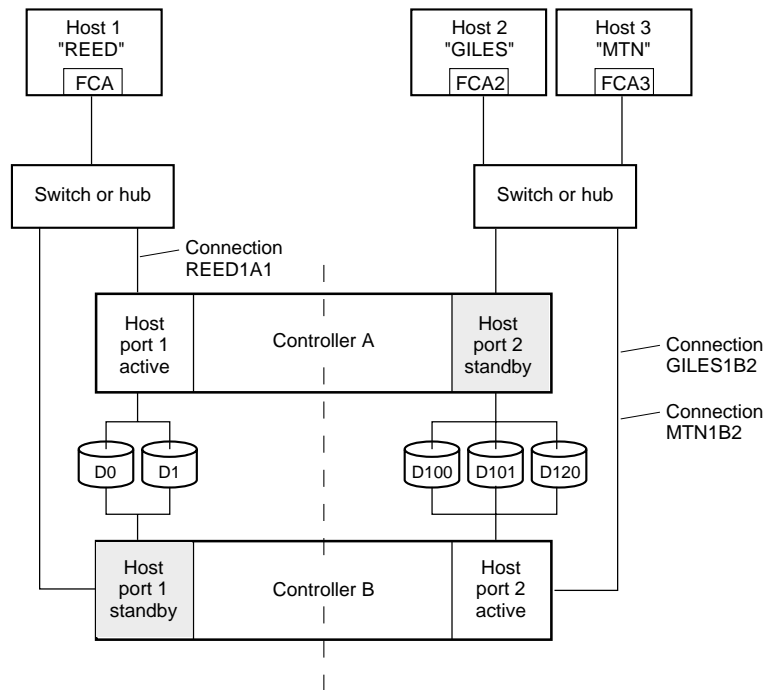
1. using separate Fibre Channel links (either loop or fabric)
2. enabling the access path of selected host connections on a shared loop or fabric
3. setting offsets

NOTE: These techniques also work for a single controller.

Restricting Host Access by Separate Links

In transparent failover mode, host port 1 of controller A and host port 1 of controller B share a common Fibre Channel link. Host port 2 of controller A and host port 2 of controller B also share a common Fibre Channel link. If the host 1 link is separate from the host 2 link, the simplest way of limiting host access is to have one host or set of hosts on the port 1 link, and another host or set of hosts on the port 2 link. Each host can then see only units assigned to its respective controller port. This separation of host buses is shown in Figure 1-11. This method applies only if the host 1 link and host 2 link are separate links.

NOTE: Compaq highly recommends that you still give access to only specific connections. That way, if new connections are added, they will not have automatic access to all units. See "Restricting Host Access by Disabling Access Paths," page 1-23.



NOTE: FCA = Fibre Channel Adapter

CXO7081A

Figure 1-11. Limiting host access in transparent failover mode

Restricting Host Access by Disabling Access Paths

If more than one host is on a link (that is, attached to the same port), host access can be limited by enabling the access of certain host connections and disabling the access of others. This is done through the *ENABLE_ACCESS_PATH* and *DISABLE_ACCESS_PATH* switches of the ADD UNIT or SET *unit* commands. Access path is a unit switch, meaning it must be specified for each unit. Default access is for the unit to be accessible to all hosts.

Example:

In Figure 1-11, restricting the access of unit D101 to host 3, the host named MTN, can be done by enabling only the connection to host 3. Enter the following commands:

```
SET D101 DISABLE_ACCESS_PATH=ALL
SET D101 ENABLE_ACCESS_PATH=MTN1B2
```

If the storage subsystem has more than one host connection, carefully specify the access path to avoid giving undesirable host connections access to the unit. The default condition for a unit is that access paths to all host connections are enabled. To restrict host access to a set of host connections, specify *DISABLE_ACCESS_PATH=ALL* for the unit, then specify the set of host connections that are to have access to the unit.

Enabling the access path to a particular host connection does not override previously enabled access paths. All access paths previously enabled are still valid; the new host connection is simply added to the list of connections that can access the unit.

The procedure of restricting access by enabling all access paths then disabling selected paths is particularly not recommended because of the potential data/security breach that occurs when a new host connection is added.

Restricting Host Access by Offsets

Offsets establish the start of the range of units that a host connection can access.

Example:

In Figure 1-11, assume both host connections on port 2 (connections GILES1B2 and MTN1B2) initially have the default port 2 offset of 100. Setting the offset of connection MTN1B2 to 120 will present unit D120 to host MTN as LUN 0.

```
SET MTN1B2 UNIT_OFFSET=120
```

1-24 *MA6000 HSG60 Array Controller ACS Version 8.5 Solution Software for Windows NT and Windows 2000 Installation and Configuration Guide*

Host MTN cannot see units lower than its offset, so it cannot access units D100 and D101. However, host GILES can still access D120 as LUN 20 if the operating system permits. To restrict access of D120 to only host MTN, enable only host MTN's access, as follows:

```
SET D120 DISABLE_ACCESS_PATH=ALL
SET D120 ENABLE_ACCESS_PATH=MTN1B2
```

NOTE: It is highly recommended that you still give access to only specific connections, even if there is just one connection on the link. That way, if new connections are added, they will not have automatic access to all units.

Restricting Host Access in Multiple-Bus Failover Mode

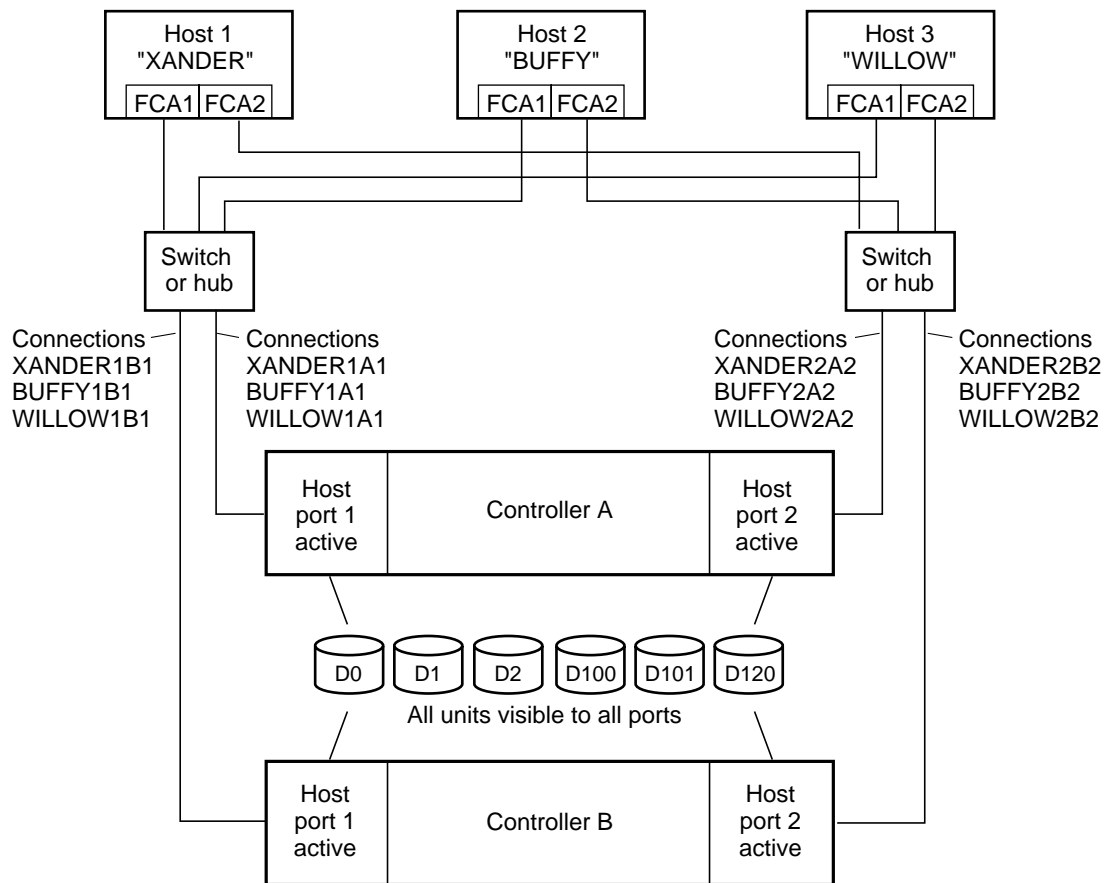
In multiple-bus mode, the units assigned to any port are visible to all ports.

There are two ways to limit host access in multiple-bus failover mode:

- Enabling the access path of selected host connections
- Setting offsets

Restricting Host Access by Disabling Access Paths

Host access can be limited by enabling the access of certain host connections and disabling the access of others. This is done through the *ENABLE_ACCESS_PATH* and *DISABLE_ACCESS_PATH* switches of the *ADD UNIT* or *SET unit* commands. Access path is a unit switch, meaning it must be specified for each unit. Default access is for the unit to be accessible to all hosts. Also, it is important to remember that at least two paths between the unit and the host must be enabled in order for multiple-bus failover to work.



NOTE: FCA = Fibre Channel Adapter

CXO7078A

Figure 1-12. Limiting host access in multiple-bus failover mode

Example:

Figure 1-12 shows a representative multiple-bus failover configuration. Restricting the access of unit D101 to host WILLOW can be done by enabling only the connections to host WILLOW. At least two connections must be enabled for multiple-bus failover to work. For most operating systems, it is desirable to have all connections to the host enabled. To enable all connections for host WILLOW, enter the following commands:

```
SET D101 DISABLE_ACCESS_PATH=ALL
SET D101 ENABLE_ACCESS_PATH=(WILLOW1A1,WILLOW1B1,WILLOW2A2,WILLOW2B2)
```

To enable only two connections for host WILLOW (if it is a restriction of the operating system), select two connections that use different adapters, different switches or hubs, and different controllers:

```
SET D101 DISABLE_ACCESS_PATH=ALL
SET D101 ENABLE_ACCESS_PATH=(WILLOW1A1,WILLOW2B2)
```

or

```
SET D101 DISABLE_ACCESS_PATH=ALL
SET D101 ENABLE_ACCESS_PATH=(WILLOW1B1,WILLOW2A2)
```

If the storage subsystem has more than one host connection, access path must be specified carefully to avoid giving undesirable host connections access to the unit. The default condition for a unit is that access paths to all host connections are enabled. To restrict host access to a set of host connections, specify *DISABLE_ACCESS_PATH=ALL* when the unit is added, then use the SET *unit* command to specify the set of host connections that are to have access to the unit.

Enabling the access path to a particular host connection does not override previously enabled access paths. All access paths previously enabled are still valid; the new host connection is simply added to the list of connections that can access the unit.

The procedure of restricting access by enabling all access paths then disabling selected paths is particularly not recommended because of the potential data/security breach that occurs when a new host connection is added.

Restricting Host Access by Offsets

Offsets establish the start of the range of units that a host connection can access. However, depending on the operating system, hosts that have lower offsets may be able to access the units in the specified range.

NOTE: All host connections to the same host computer must be set to the same offset.

Example:

In Figure 1-12, assume all host connections initially have the default offset of 0. Giving all connections to host WILLOW an offset of 120 will present unit D120 to host WILLOW as LUN 0. Enter the following commands:

```
SET WILLOW1A1 UNIT_OFFSET=120
SET WILLOW1B1 UNIT_OFFSET=120
SET WILLOW2A2 UNIT_OFFSET=120
SET WILLOW2B2 UNIT_OFFSET=120
```

Host WILLOW cannot see units lower than its offset, so it cannot access any other units. However, the other two hosts can still access D120 as LUN 20 if their operating system permits. To restrict access of D120 to only host WILLOW, enable only host WILLOW's access, as follows:

```
SET D102 DISABLE_ACCESS_PATH=ALL
SET D102 ENABLE_ACCESS_PATH=(WILLOW1A1,WILLOW1B1,WILLOW12A2,WILLOW2B2)
```

NOTE: It is highly recommended that you always give access to only specific connections. That way, if new connections are added, they will not have automatic access to all units. See "Restricting Host Access by Disabling Access Paths," page 1-24.

Worldwide Names (Node IDs and Port IDs)

A worldwide name—also called a node ID—is a unique, 64-bit number assigned to a subsystem prior to shipping. The node ID belongs to the subsystem itself and never changes.

Each subsystem's node ID ends in zero, for example 5000-1FE1-FF0C-EE00. The controller port IDs are derived from the node ID.

In a subsystem with two controllers in transparent failover mode, the controller port IDs increment as follows:

- Controller A and controller B, port 1—worldwide name + 1, for example 5000-1FE1-FF0C-EE01
- Controller A and controller B, port 2—worldwide name + 2, for example 5000-1FE1-FF0C-EE02

In multiple-bus failover mode, each of the host ports has its own port ID:

- Controller B, port 1—worldwide name + 1, for example 5000-1FE1-FF0C-EE01
- Controller B, port 2—worldwide name + 2, for example 5000-1FE1-FF0C-EE02
- Controller A, port 1—worldwide name + 3, for example 5000-1FE1-FF0C-EE03
- Controller A, port 2—worldwide name + 4, for example 5000-1FE1-FF0C-EE04

Use the CLI command, `SHOW this_controller/other_controller` to display the subsystem's worldwide name.

Restoring Worldwide Names (Node IDs)

If a situation occurs that requires you to restore the worldwide name, you can restore it using the worldwide name and check sum printed on the sticker on the frame into which the controller is inserted, as shown in Figure 1-13.



CAUTION: Each subsystem has its own unique worldwide name (node ID). If you attempt to set the subsystem worldwide name to a name other than the one that came with the subsystem, the data on the subsystem will not be accessible. Never set two subsystems to the same worldwide name or data corruption will occur.

Unit World Wide Names (LUN IDs)

In addition, each unit has its own world wide name, or LUN ID. This is a unique, 128-bit value that the controller assigns at the time of unit initialization. It cannot be altered by the user but does change when the unit is reinitialized. Use the `SHOW` command to list the LUN ID.

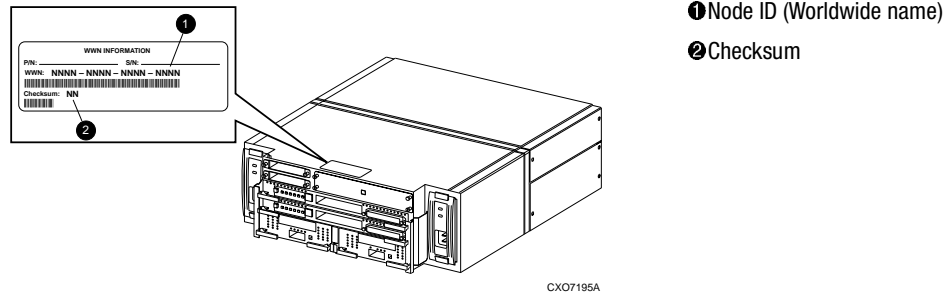


Figure 1-13. Placement of the worldwide name label

Chapter 2

Planning Storage

This chapter provides information to help you plan the storage configuration of your subsystem. Use the guidelines found in this section to plan the various types of storage containers needed.

The following information is included in this chapter:

- “Where to Start,” page 2–2
- “Configuration Rules,” page 2–3
- “Determining Storage Requirements,” page 2–7
- “Choosing a Container Type,” page 2–7
- “Creating a Storageset Profile,” page 2–10
- “Storageset Planning Considerations,” page 2–12
- “Mirrorset Planning Considerations,” page 2–14
- “Partition Planning Considerations,” page 2–20
- “Changing Characteristics through Switches,” page 2–21
- “Storageset and Partition Switches,” page 2–22
- “Initialization Switches,” page 2–24
- “Unit Switches,” page 2–28
- “Storage Maps,” page 2–28

Where to Start

Containers are defined as individual disk drives (JBOD), storageset types (mirrorsets, stripesets, and so on) and/or partitioned drives. The following is a procedure you can follow to plan your storage configuration. See Appendix A to locate the blank templates for keeping track of the containers being configured.

1. Review configuration rules. See “Configuration Rules,” page 2-3.
2. Familiarize yourself with the current physical layout of the devices and their addressing scheme. See “Device PTL Addressing Convention,” page 2-4.
3. Determine your storage requirements. Use the questions in “Determining Storage Requirements,” page 2-7 to help you.
4. Choose the type of storage container(s) you need to use in your subsystem. See “Choosing a Container Type,” page 2-7 for a comparison and description of each type of storageset.
5. Create a storageset profile (described in “Creating a Storageset Profile,” page 2-10). Fill out the storageset profile while you read the sections that pertain to your chosen storage type:
 - “Storageset Planning Considerations,” page 2-12
 - “Mirrorset Planning Considerations,” page 2-14
 - “Partition Planning Considerations,” page 2-20
 - “Striped Mirrorset Planning Considerations,” page 2-18
6. Decide which switches you will need for your subsystem. General information on switches is detailed in “Storageset and Partition Switches,” page 2-22
 - Determine what unit switches you want for your units (“Unit Switches,” page 2-28)
 - Determine what initialization switches you want for your planned storage containers (“Initialization Switches,” page 2-24)
7. Create a storage map (“Storage Maps,” page 2-28).
8. Configure the storage you have now planned using one of the following methods:
 - Use SWCC. See the SWCC documentation for details.
 - Use the Command Line Interpreter (CLI) commands. This method allows you flexibility in defining and naming your storage containers. See the *Compaq StorageWorks HSG60/HSG80 Array Controller ACS Version 8.5 CLI Reference Guide*.

Configuration Rules

Review these configuration rules to ensure your planned configuration meets the following requirements and conditions:

- Maximum 128 assignable, host-accessible units
- Maximum 512-GB unit capacity
- Maximum 8 RAID-5 storage sets
- Maximum 30 RAID-5 and RAID-1 storage sets
- Maximum 45 RAID-5, RAID-1, and RAID-0 storage sets
- Maximum 8 partitions per storage set or individual disk
- Maximum 6 members per mirror set
- Maximum 14 members per RAID-5 storage set
- Maximum 24 members per stripe set
- Maximum 48 physical devices per striped mirror set

Device PTL Addressing Convention

The controller has two SCSI I/O device ports, each of which connects to a SCSI bus. In dual-controller subsystems, these device buses are shared between the two controllers. (SWCC calls the device ports “channels.”) The standard Model 2100-Series UltraSCSI Controller enclosure provides a maximum of 12 SCSI target IDs for each device port.

The controller identifies devices based on a Port-Target-LUN (PTL) numbering scheme, shown in Figure 2-1. The physical location of a device in its enclosure determines its PTL.

- P—Designates the controller's SCSI device port number (1 or 2).
- T—Designates the target identification (ID) number of the device. Valid target ID numbers for a single-controller configuration and dual-redundant controller configuration are 0 - 5 and 8 - 13.
- L—Designates the logical unit (LUN) of the device. For disk devices the LUN is always 0.

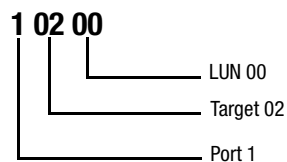


Figure 2-1. PTL naming convention

The controller operates with a Model 2100 UltraSCSI controller enclosure combined with either Model 4214 (maximum of two) or Model 4254 (maximum of one) disk enclosures. Physical drives are assigned SCSI target ID numbers 0 through 5 and 8 through 13 (SCSI target IDs 6 and 7 are reserved for the controllers, and SCSI target IDs 14 and 15 are not supported). Figure 2-2 shows the addresses for each device using two Model 4214 disk enclosure shelves in a single-bus configuration. Figure 2-3 shows the addresses for each drive using a single Model 4254 disk enclosure shelf in a dual-bus configuration.

Model 4214 Disk Enclosure Shelf 1 (single-bus)														
Bay	1	2	3	4	5	6	7	8	9	10	11	12	13	14
SCSI ID	00	01	02	03	04	05	08	09	10	11	12	13	14	15
DISK ID	Disk10000	Disk10100	Disk10200	Disk10300	Disk10400	Disk10500	Disk10800	Disk10900	Disk11000	Disk11100	Disk11200	Disk11300	not supported	not supported

Model 4214 Disk Enclosure Shelf 2 (single-bus)														
Bay	1	2	3	4	5	6	7	8	9	10	11	12	13	14
SCSI ID	00	01	02	03	04	05	08	09	10	11	12	13	14	15
DISK ID	Disk20000	Disk20100	Disk20200	Disk20300	Disk20400	Disk20500	Disk20800	Disk20900	Disk21000	Disk21100	Disk21200	Disk21300	not supported	not supported

Figure 2-2. PTL addressing in a single-bus configuration, using two shelves

Model 4254 Disk Enclosure Shelf 1 (dual-bus)														
Bus A							Bus B							
Bay	1	2	3	4	5	6	7	8	9	10	11	12	13	14
SCSI ID	00	01	02	03	04	05	08	00	01	02	03	04	05	08
DISK ID	Disk10000	Disk10100	Disk10200	Disk10300	Disk10400	Disk10500	Disk10800	Disk20000	Disk20100	Disk20200	Disk20300	Disk20400	Disk20500	Disk20800

Figure 2-3. PTL addressing in a dual-bus configuration

When the controller receives an I/O request, it identifies the storageset unit number for the request, then correlates the unit number to the storageset name. From the storageset name, the controller locates the appropriate device(s) for the I/O request. (For example, the RAIDset “RAID1” might contain DISK10000, DISK20000 and DISK10100.) The controller generates the read or write request to the appropriate device(s) using the PTL addressing convention. Figure 2-4 illustrates the concept of mapping unit numbers to PTL addresses.

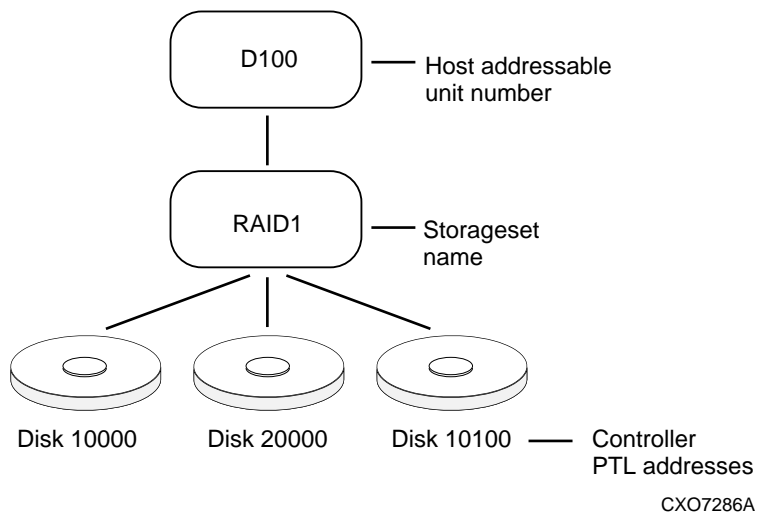


Figure 2-4. Mapping a unit to physical disk drives

Determining Storage Requirements

It's important to determine your storage requirements. Here are a few of the questions you should ask yourself of the subsystem usage:

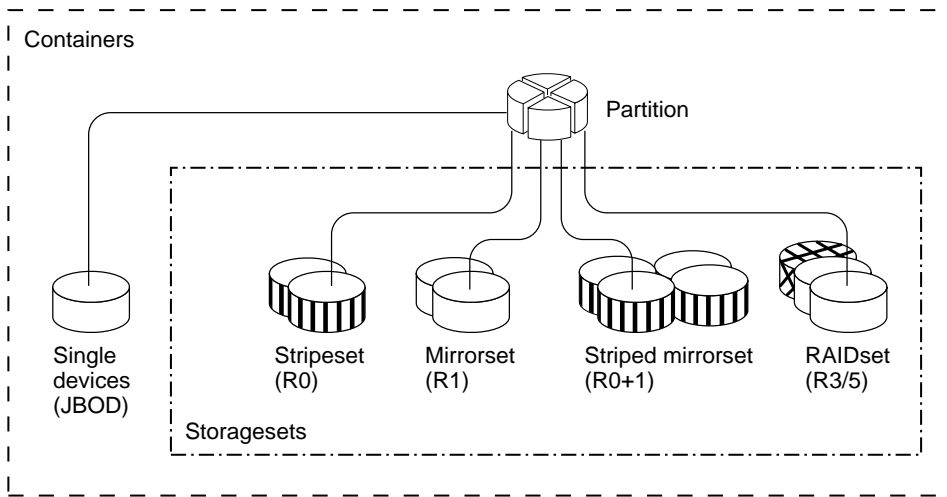
- What applications or user groups will access the subsystem? How much capacity do they need?
- What are the I/O requirements? If an application is data-transfer intensive, what is the required transfer rate? If it is I/O-request intensive, what is the required response time? What is the read/write ratio for a typical request?
- Are most I/O requests directed to a small percentage of the disk drives? Do you want to keep it that way or balance the I/O load?
- Do you store mission-critical data? Is availability the highest priority or would standard backup procedures suffice?

Choosing a Container Type

Different applications may have different storage requirements. You will probably want to configure more than one kind of container within your subsystem.

In choosing a container, you choose between independent disks (JBODs) or one of several storageset types. The independent disks and the selected storageset may also be partitioned.

The storagesets implement RAID (Redundant Array of Independent Disks) technology. Consequently, they all share one important feature: each storageset, whether it contains two disk drives or ten, looks like one large, virtual disk drive to the host.



CXO6677A

Figure 2-5. Container types

Table 2-1 compares the different kinds of containers to help you determine which ones satisfy your requirements.

Table 2-1 A Comparison of Container Types				
Container Name	Relative Availability	Request Rate (Read/Write) I/O per second	Transfer Rate (Read/Write) MB per second	Applications
Independent disk drives (JBOD)	Equal to number of JBOD disk drives	Comparable to single disk drive	Comparable to single disk drive	
Stripeset (RAID 0)	Proportionate to number of disk drives; worse than single disk drive	Excellent if used with large chunk size	Excellent if used with small chunk size	High performance for non-critical data
Mirrorset (RAID1)	Excellent	Good/Fair	Good/Fair	System drives; critical files
RAIDset (RAID 3/5)	Excellent	Excellent/good	Read: excellent (if used with small chunk sizes) Write: good (if used with small chunk sizes)	High request rates, read-intensive, data lookup
Striped Mirrorset (RAID 0+1)	Excellent	Excellent if used with large chunk size	Excellent if used with small chunk size	Any critical response-time application

For a comprehensive discussion of RAID, refer to *The RAIDBOOK—A Source Book for Disk Array Technology*.

Creating a Stageset Profile

Creating a profile for your stagesets, partitions, and devices can simplify the configuration process. Filling out a stageset profile helps you to choose the stagesets that best suit your needs and to make informed decisions about the switches that you can enable for each stageset or storage device that you configure in your subsystem.

See the example stageset profile shown in Figure 2-6.

Appendix A contains blank profiles that you can copy and use to record the details for your stagesets. Use the information in this chapter to help you make decisions when creating stageset profiles.

Type of StorageSet:

<input type="checkbox"/> Mirrorset	<input checked="" type="checkbox"/> RAIDset	<input type="checkbox"/> Stripeset	<input type="checkbox"/> Striped Mirrorset	<input type="checkbox"/> JBOD
------------------------------------	---	------------------------------------	--	-------------------------------

StorageSet Name *R1*

Disk Drives *D10300, D20300, D10400, D20400*

Unit Number *D101*

Partitions:

Unit #	Unit #	Unit #	Unit #	Unit #	Unit #	Unit #	Unit #
%	%	%	%	%	%	%	%

RAIDset Switches:

Reconstruction Policy	Reduced Membership	Replacement Policy
<input checked="" type="checkbox"/> Normal (default)	<input checked="" type="checkbox"/> No (default)	<input checked="" type="checkbox"/> Best performance (default)
<input type="checkbox"/> Fast	<input type="checkbox"/> Yes, missing:	<input type="checkbox"/> Best fit
		<input type="checkbox"/> None

Mirrorset Switches:

Replacement Policy	Copy Policy	Read Source
<input type="checkbox"/> Best performance (default)	<input type="checkbox"/> Normal (default)	<input type="checkbox"/> Least busy (default)
<input type="checkbox"/> Best fit	<input type="checkbox"/> Fast	<input type="checkbox"/> Round robin
<input type="checkbox"/> None		<input type="checkbox"/> Disk drive:

Initialize Switches:

Chunk size	Save Configuration	Metadata
<input checked="" type="checkbox"/> Automatic (default)	<input type="checkbox"/> No (default)	<input checked="" type="checkbox"/> Destroy (default)
<input type="checkbox"/> 64 blocks	<input checked="" type="checkbox"/> Yes	<input type="checkbox"/> Retain
<input type="checkbox"/> 128 blocks		
<input type="checkbox"/> 256 blocks		
<input type="checkbox"/> Other:		

Unit Switches:

Caching	Access by following hosts enabled
Read caching <input checked="" type="checkbox"/>	<u>ALL</u>
Read-ahead caching <input type="checkbox"/>	_____
Write-back caching <input checked="" type="checkbox"/>	_____
Write-through caching <input type="checkbox"/>	_____

Figure 2-6. An example storageSet profile

Storageset Planning Considerations

This section contains the guidelines for choosing the storageset type needed for your subsystem:

- Stripeset Planning Considerations
- Mirrorset Planning Considerations
- Partition Planning Considerations
- RAIDset Planning Considerations
- Striped Mirrorset Planning Considerations

Stripeset Planning Considerations

Stripesets (RAID 0) enhance I/O performance by spreading the data across multiple disk drives. Each I/O request is broken into small segments called “chunks.” These chunks are then simultaneously “striped” across the disk drives in the storageset, thereby allowing several disk drives to participate in one I/O request.

For example, in a three-member stripeset that contains disk drives Disk10000, Disk20000, and Disk10100, the first chunk of an I/O request is written to Disk10000, the second to Disk20000, the third to Disk10100, the fourth to Disk10000, and so forth until all of the data has been written to the drives (Figure 2-7).

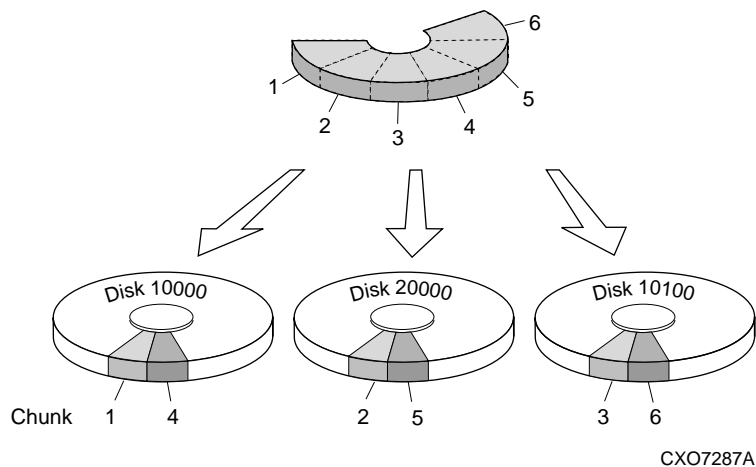


Figure 2-7. A 3-member RAID 0 stripeset (example 1)

The relationship between the chunk size and the average request size determines if striping maximizes the request rate or the data-transfer rate. You can set the chunk size or use the default setting (see “Chunk Size,” page 2-24, for information about setting the chunk size). Figure 2-8 shows another example of a three-member RAID 0 Stripeset.

A major benefit of striping is that it balances the I/O load across all of the disk drives in the storageset. This can increase the subsystem performance by eliminating the hot spots (high localities of reference), that occur when frequently accessed data becomes concentrated on a single disk drive.

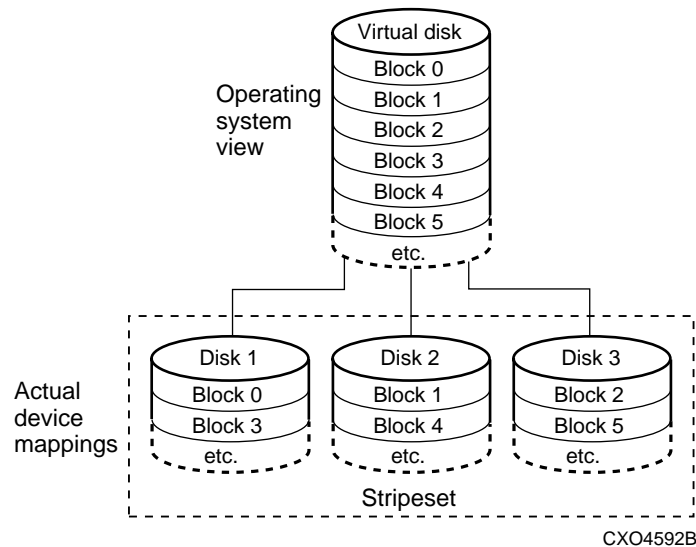


Figure 2-8. A 3-member RAID 0 stripeset (example 2)

Keep the following points in mind as you plan your stripesets:

- Reporting methods and size limitations prevent certain operating systems from working with large stripesets.
- A storageset should only contain disk drives of the same capacity. The controller limits the effective capacity of each member to the capacity of the smallest member in the storageset (base member size) when the storageset is initialized. Thus, if you combine 9 GB disk drives with 4 GB disk drives in the same storageset, you will waste 5 GB of capacity on each 9 GB member.

If you need high performance and high availability, consider using a RAIDset, striped-mirrorset, or a host-based shadow of a stripeset.

- Striping does not protect against data loss. In fact, because the failure of one member is equivalent to the failure of the entire stripeset, the likelihood of losing data is higher for a stripeset than for a single disk drive.

For example, if the mean time between failures (MTBF) for a single disk is 1 hour, then the MTBF for a stripeset that comprises N such disks is 1/N hours. As another example, if the MTBF of a single disk is 150,000 hours (about 17 years), a stripeset comprising four of these disks would only have an MTBF of slightly more than 4 years.

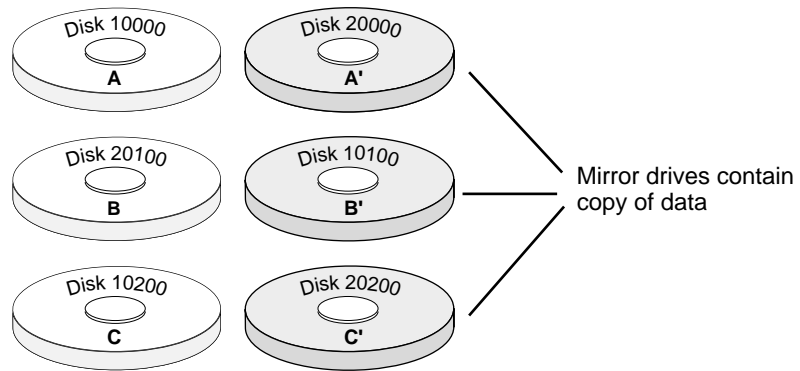
For this reason, you should avoid using a stripeset to store critical data. Stripesets are more suitable for storing data that can be reproduced easily or whose loss does not prevent the system from supporting its critical mission.

- Evenly distribute the members across the device ports to balance load and provide multiple paths.
- Stripesets may contain between two and 24 members.
- Stripesets are well-suited for the following applications:
 - Storing program image libraries or run-time libraries for rapid loading.
 - Storing large tables or other structures of read-only data for rapid application access.
 - Collecting data from external sources at very high data transfer rates.
- Stripesets are not well-suited for the following applications:
 - A storage solution for data that cannot be easily reproduced or for data that must be available for system operation.
 - Applications that make requests for small amounts of sequentially located data.
 - Applications that make synchronous random requests for small amounts of data.

Spread the member drives as evenly as possible across the two I/O device ports.

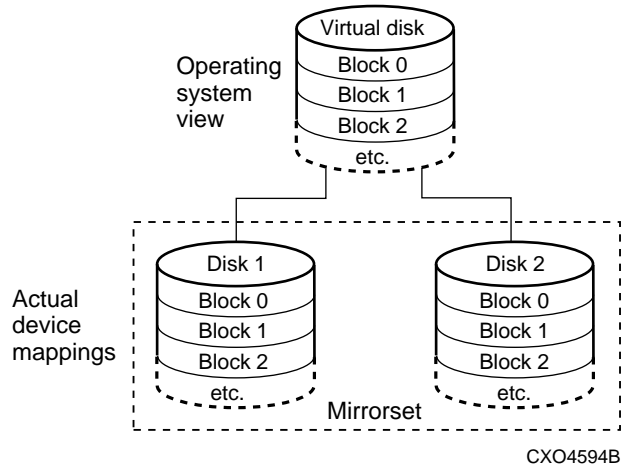
Mirrorset Planning Considerations

Mirrorsets (RAID 1) use redundancy to ensure availability, as illustrated in Figure 2-9. For each primary disk drive, there is at least one mirror disk drive. Thus, if a primary disk drive fails, its mirror drive immediately provides an exact copy of the data. Figure 2-10 shows a second example of a Mirrorset.



CXO7288A

Figure 2-9. Mirrorsets maintain two copies of the same data



CXO4594B

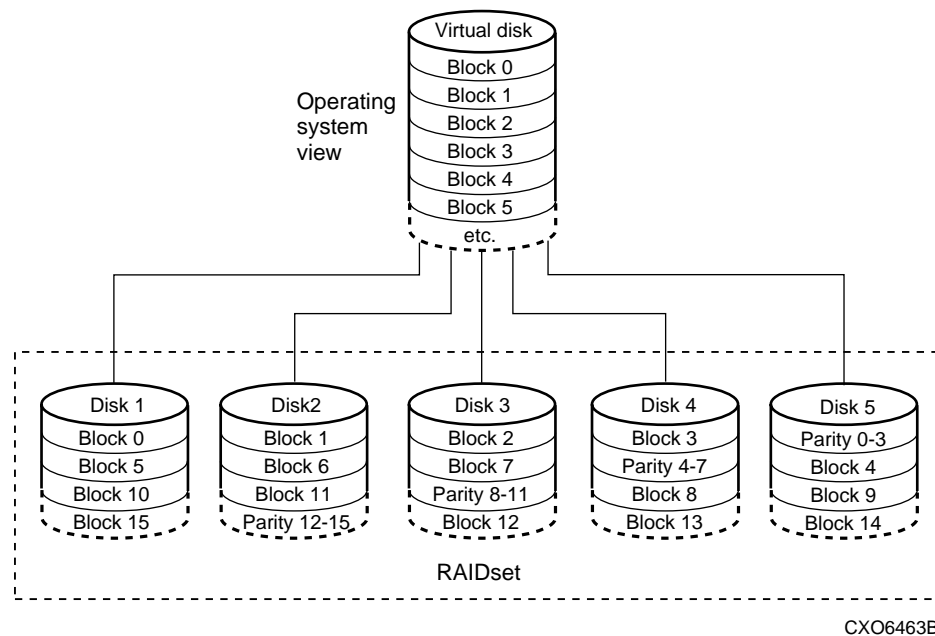
Figure 2-10. Mirrorset example 2

Keep these points in mind as you plan your mirrorsets:

- Data availability with a mirrorset is excellent but comes with a higher cost—you need twice as many disk drives to satisfy a given capacity requirement. If availability is your top priority, consider using dual-redundant controllers and redundant power supplies.
- You can configure up to 20 mirrorsets per controller or pair of dual-redundant controllers. Each mirrorset may contain up to 6 members.
- Both write-back cache modules must be the same size.
- A mirrorset should only contain disk drives of the same capacity.
- Mirrorsets are well-suited for the following:
 - Any data for which reliability requirements are extremely high
 - Data to which high-performance access is required
 - Applications for which cost is a secondary issue
- Mirrorsets are not well-suited for the following applications:
 - Write-intensive applications (a performance hit of 10% will occur)
 - Applications for which cost is a primary issue

RAIDset Planning Considerations

RAIDsets (RAID 3/5) are enhanced stripesets—they use striping to increase I/O performance and distributed-parity data to ensure data availability. Figure 2-11 shows an example of a RAIDset that uses five members.



CXO6463B

Figure 2-11. A five member RAIDset using parity

RAIDsets are similar to stripesets in that the I/O requests are broken into smaller “chunks” and striped across the disk drives. RAIDsets also create chunks of parity data and stripe them across all the members of the RAIDset. This parity data is derived mathematically from the I/O data and enables the controller to reconstruct the I/O data if a single disk drive fails. Thus, it becomes possible to lose a disk drive without losing access to the data it contained. Data could be lost, however, if a second disk drive fails before the controller replaces the first failed disk drive and reconstructs the data.

The relationship between the chunk size and the average request size determines if striping maximizes the request rate or the data-transfer rates. You can set the chunk size or use the default setting. See “Chunk Size,” page 2-24, for information about setting the chunk size.

Keep these points in mind as you plan your RAIDsets:

- Reporting methods and size limitations prevent certain operating systems from working with large RAIDsets.
- Both cache modules must be the same size.
- A RAIDset must include at least 3 disk drives, but no more than 14.

- A storageset should only contain disk drives of the same capacity. The controller limits the capacity of each member to the capacity of the smallest member in the storageset. Thus, if you combine 9 GB disk drives with 4 GB disk drives in the same storageset, you will waste 5 GB of capacity on each 9 GB member.
- RAIDsets are particularly well-suited for the following:
 - ❑ Small to medium I/O requests
 - ❑ Applications requiring high availability
 - ❑ High read request rates
 - ❑ Inquiry-type transaction processing
- RAIDsets are not particularly well-suited for the following:
 - ❑ Write-intensive applications
 - ❑ Database applications in which fields are continually updated
 - ❑ Transaction processing

Striped Mirrorset Planning Considerations

Striped mirrorsets (RAID 0+1) are a configuration of stripesets whose members are also mirrorsets (Figure 2-12). Consequently, this kind of storageset combines the performance of striping with the reliability of mirroring. The result is a storageset with very high I/O performance and high data availability. Figure 2-13 shows a second example of a striped mirrorset using six members.

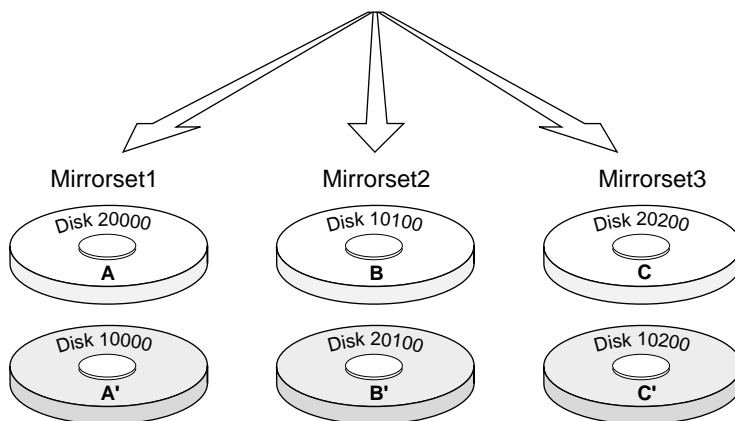


Figure 2-12. Striped mirrorset (example 1)

The failure of a single disk drive has no effect on the ability of the storageset to deliver data to the host. Under normal circumstances, it also has very little effect on performance. Because striped mirrorsets do not require any more disk drives than mirrorsets, this storageset is an excellent choice for data that warrants mirroring.

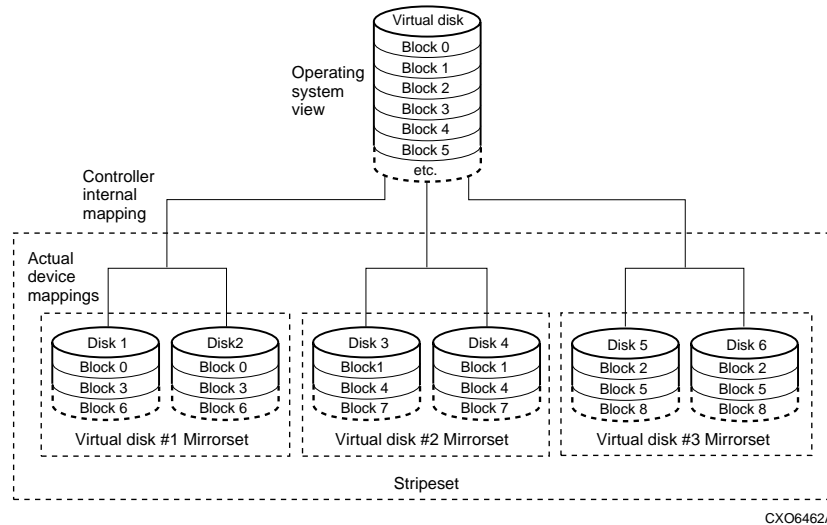


Figure 2-13. Striped mirrorset (example 2)

Plan the mirrorset members, then plan the stripeset that will contain them. Review the recommendations in “Storageset Planning Considerations,” page 2-12, and “Mirrorset Planning Considerations,” page 2-14.

Partition Planning Considerations

Use partitions to divide a container (storage set or individual disk drive) into smaller pieces, each of which can be presented to the host as its own storage unit. Figure 2-14 shows the conceptual effects of partitioning a single-disk container.

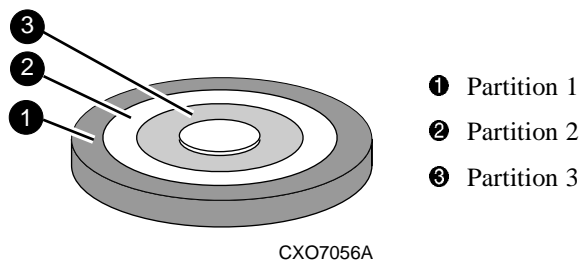


Figure 2-14. One example of a partitioned single-disk unit

You can create up to eight partitions per storage set (disk drive, RAID set, mirror set, stripeset, or striped mirror set). Each partition has its own unit number so that the host can send I/O requests to the partition just as it would to any unpartitioned storage set or device. Partitions are separately addressable storage units, therefore, you can partition a single storage set to service more than one user group or application.

Defining a Partition

Partitions are expressed as a percentage of the storage set or single disk unit that contains them:

- Mirror sets and single disk units—the controller allocates the largest whole number of blocks that are equal to or less than the percentage you specify.
- RAID sets and stripesets—the controller allocates the largest whole number of stripes that are less than or equal to the percentage you specify.
 - Stripesets—the stripe size = chunk size × number of members.
 - RAID sets—the stripe size = chunk size × (number of members minus 1)

An unpartitioned storage unit has more capacity than a partition that uses the whole unit because each partition requires a small amount of disk space for metadata.

Guidelines for Partitioning Storage Sets and Disk Drives

Keep these points in mind as you plan your partitions:

- You can create up to eight partitions per storage set or disk drive.
- In transparent failover mode, all the partitions of a particular container must be on the same host port. Partitions cannot be split across host ports.
- In multiple-bus failover mode, all the partitions of a particular container must be on the same controller. Partitions cannot be split across controllers.
- Partitions cannot be combined into storage sets. For example, you cannot divide a disk drive into three partitions, then combine those partitions into a RAID set.
- Just as with storage sets, you do not have to assign unit numbers to partitions until you are ready to use them.
- The CLONE utility cannot be used with partitioned mirror sets or partitioned stripe sets.

Changing Characteristics through Switches

CLI command switches allow the user another level of command options. There are three types of switches that modify the storage set and unit characteristics:

- storage set switches
- initialization switches
- unit switches

The following sections:

- describe how to enable/modify switches
- contain a description of the major CLI command switches

Enabling Switches

If you use SWCC to configure the device or storageset, you can set switches from the SWCC screens during the configuration process, and SWCC automatically applies them to the storageset or device. See the online SWCC help for information about using SWCC.

If you use CLI commands to configure the storageset or device manually, the configuration procedure found in Chapter 4 of this guide indicates when and how to enable each switch. The *Compaq StorageWorks HSG60/HSG80 Array Controller ACS Version 8.5 CLI Reference Guide* contains the details of the CLI command and their switches.

Changing Switches

You can change the RAIDset, mirrorset, device, and unit switches at any time. You cannot change the initialize switches without destroying the data on the storageset or device. These switches are integral to the formatting and can only be changed by re-initializing the storageset.



CAUTION: Initializing a storageset is similar to formatting a disk drive; all of the data is destroyed during this procedure.

Storageset and Partition Switches

The characteristics of a particular storageset can be set by specifying switches when the storageset is added to the controllers' configuration. Once a storageset has been added, the switches can be changed by using a SET command. Switches can be set for partitions and the following types of storagesets:

- RAIDset
- Mirrorset

Stripesets have no specific switches associated with their ADD and SET commands.

RAIDset Switches

You can enable the following kinds of switches to control how a RAIDset behaves to ensure data availability:

- Replacement policy
- Reconstruction policy
- Remove/replace policy

For details on the use of these switches refer to SET RAIDSET and SET *RAIDset-name* commands in the *Compaq StorageWorks HSG60/HSG80 Array Controller ACS Version 8.5 CLI Reference Guide*.

Mirrorset Switches

You can enable the following switches to control how a mirrorset behaves to ensure data availability:

- Replacement policy
- Copy speed
- Read source
- Membership

For details on the use of these switches refer to ADD MIRRORSET and SET *mirrorset-name* commands in the *Compaq StorageWorks HSG60/HSG80 Array Controller ACS Version 8.5 CLI Reference Guide*.

Partition Switches

When you create a partition, you can specify the following switches:

- Size
- Geometry

For details on the use of these switches refer to CREATE_PARTITION command in the *Compaq StorageWorks HSG60/HSG80 Array Controller ACS Version 8.5 CLI Reference Guide*.

Initialization Switches

Initialization switches set characteristics for established storagesets before they are made into units. You can enable the following kinds of switches to affect the format of a disk drive or storageset:

- Chunk Size (for stripesets and RAIDsets only)
- Save Configuration
- Destroy/Nodeestroy
- Geometry

Each of these is described in the following sections.

NOTE: After you initialize the storageset or disk drive, you cannot change these switches without reinitializing the storageset or disk drive.

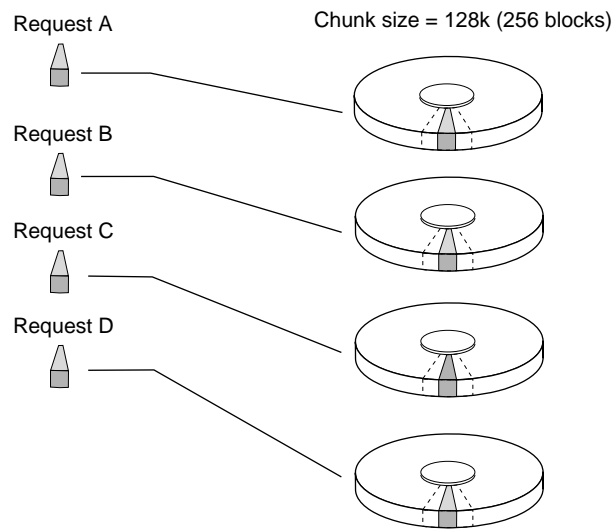
Chunk Size

Specify the chunk size of the data to be stored to control the stripesize used in RAIDsets and stripesets:

- *CHUNKSIZE=DEFAULT* lets the controller set the chunk size based on the number of disk drives (*d*) in a stripeset or RAIDset. If $d \leq 9$ then chunk size = 256. If $d > 9$ then chunk size = 128.
- *CHUNKSIZE=n* lets you specify a chunk size in blocks. The relationship between chunk size and request size determines whether striping increases the request rate or the data-transfer rate.

Increasing the Request Rate

A large chunk size (relative to the average request size) increases the request rate by allowing multiple disk drives to respond to multiple requests. If one disk drive contains all of the data for one request, then the other disk drives in the storageset are available to handle other requests. Thus, in principle, separate I/O requests can be handled in parallel, thereby increasing the request rate. This concept is shown in Figure 2-15.



CXO-5135A-MC

Figure 2-15. Chunk size larger than the request size

Large chunk sizes also tend to increase the performance of random reads and writes. It is recommended that you use a chunk size of 10 to 20 times the average request size, rounded to the closest prime number.

To calculate the chunk size that should be used for your subsystem, you first must analyze the types of requests that are being made to the subsystem:

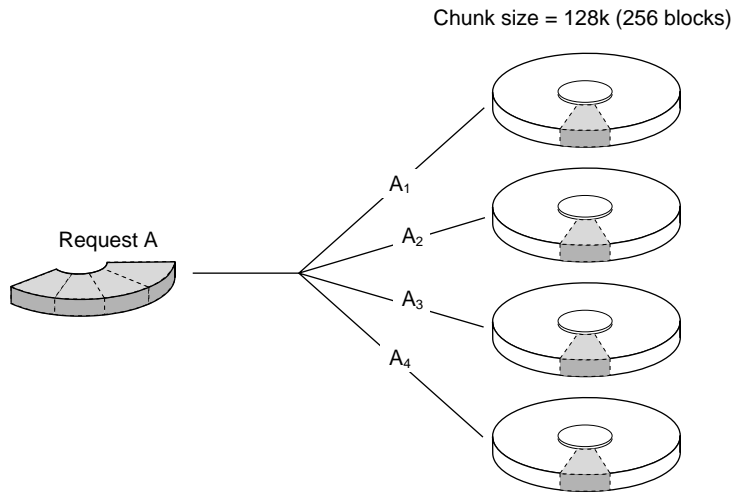
- Many parallel I/Os that use a small area of disk should use a chunk size of 10 times the average transfer request rate.
- Random I/Os that are scattered over all the areas of the disks should use a chunk size of 20 times the average transfer request rate.
- If you don't know, then you should use a chunk size of 15 times the average transfer request rate.
- If you have mostly sequential reads or writes (like those needed to work with large graphic files), then make the chunk size a small number (that is 17 sectors).

Table 2-2 shows a few examples of chunk size selection.

Transfer Size (KB)	Small Area of I/O Transfers	Unknown	Random Areas of I/O Transfers
2	41	59	79
4	79	113	163
8	157	239	317

Increasing the Data Transfer Rate

A small chunk size relative to the average request size increases the data transfer rate by allowing multiple disk drives to participate in one I/O request. This concept is shown in Figure 2-16.



CXO-5172A-MC

Figure 2-16. Chunk size smaller than the request size

Increasing Sequential Write Performance

Sequential write and read requests on stripesets (or striped mirrorsets), should use a small chunk size relative to the I/O size to increase the performance. A chunk size of 17 generally works well.

Save Configuration

This switch is for a single-controller configuration only. This switch reserves an area on each of the disks that constitute the container being initialized. The controller can write subsystem configuration data on this area. If the controller is replaced, the new controller can read the subsystem configuration from the reserved area of disks.

If you specify *SAVE_CONFIGURATION* for a multi-device storageset, such as a stripeset, the complete subsystem configuration is periodically written on each disk in the storageset.

The *SHOW DEVICES FULL* command shows which disks are used to backup configuration information.

Destroy/Nodestroy

You must specify whether to destroy or retain the user data and metadata when a disk is initialized that has been previously used in a mirrorset or as a single-disk unit.

NOTE: The *DESTROY* and *NODESTROY* switches are only valid for mirrorsets and striped mirrorsets.

- *DESTROY* (default) overwrites the user data and forced-error metadata on a disk drive when it is initialized.
- *NODESTROY* preserves the user data and forced-error metadata when a disk drive is initialized. Use *NODESTROY* to create a single-disk unit from any disk drive that has been used as a member of a mirrorset. See the *REDUCED* command in the *Compaq StorageWorks HSG60/HSG80 Array Controller ACS Version 8.5 CLI Reference Guide* for information on removing disk drives from a mirrorset.

NODESTROY is ignored for members of a RAIDset.

Geometry

The geometry parameters of a storageset can be specified. The geometry switches are:

- **CAPACITY**—the number of logical blocks. The range is from 1 to the maximum container size.
- **CYLINDERS**—the number of cylinders used. The range is from 1 to 16777215.
- **HEADS**—the number of disk heads used. The range is from 1 to 255.
- **SECTORS_PER_TRACK**—the number of sectors per track used. The range is from 1 to 255.

Unit Switches

There are several switches that control the characteristics of units. The unit switches are described under the SET *unit-number* command in the *Compaq StorageWorks HSG60/HSG80 Array Controller ACS Version 8.5 CLI Reference Guide*.

One unit switch, *ENABLE/DISABLE_ACCESS_PATH*, determines which host connections can access the unit, and is part of the larger topic of matching units to specific hosts. This complex topic is covered in Chapter 1 under the following headings:

- “Assigning Unit Numbers,” page 1-17
- “Restricting Host Access (Selective Storage Presentation),” page 1-21

Storage Maps

Configuring your subsystem will be easier if you know how the storagesets, partitions, and JBODs correspond to the disk drives in your subsystem. You can more easily see this relationship by creating a hardcopy representation (a storage map).

Creating a Storage Map

If you want to make a storage map, fill out a blank storage map as you add storagesets, partitions, and JBOD disks to your configuration and assign them unit numbers. Appendix A contains blank templates you may use in the creation of your subsystem storage map. Label each disk drive in the map with the higher levels it is associated with, up to the unit level.

Example Storage Map

The following example (see Figure 2-17) is of a single-shelf disk enclosure using a single-bus I/O module (Model 4214R) :

- Unit D100 is a 3-member RAID 3/5 storage set named R1. R1 consists of Disk10000, Disk10100, and Disk10200.
- Unit D101 is a 2-member striped mirror set named S1. S1 consists of M1 and M2:
 - M1 is a 2-member mirror set consisting of Disk10300 and Disk10400.
 - M2 is a 2-member mirror set consisting of Disk10500 and Disk10800.
- Unit D102 is a 2-member mirror set named M3. M3 consists of Disk10900 and Disk11000.
- Unit D103 is a 3-member stripeset named S2. S2 consists of Disk 11100, Disk11200, and Disk11300.

The I/O module assigns a SCSI address to each drive bay in the disk enclosure using a SCSI address map.

Model 4214 Disk Enclosure Shelf 1 (single-bus)														
Bay	1	2	3	4	5	6	7	8	9	10	11	12	13	14
SCSI ID	00	01	02	03	04	05	08	09	10	11	12	13	14	15
DISK ID	D100 R1 DISK10000	D100 R1 DISK10100	D100 R1 DISK10200	D101 S1 M1 DISK10300	D101 S1 M1 DISK10400	D101 S1 M2 DISK10500	D101 S1 M2 DISK10800	D102 M3 DISK10900	D102 M3 DISK11000	D103 S2 DISK11100	D103 S2 DISK11200	D103 S2 DISK11300	not supported	not supported

Figure 2-17. Example storage map-single bus

2-30 MA6000 HSG60 Array Controller ACS Version 8.5 Solution Software for Windows NT and Windows 2000 Installation and Configuration Guide

The following example (see Figure 2-18) is of a single-shelf disk enclosure using a dual-bus I/O module (Model 4254):

- Unit D100 is a 3-member RAID 3/5 storage set named R1. R1 consists of Disk10000, Disk20000, and Disk10100.
- Unit D101 is a 2-member striped mirror set named S1. S1 consists of M1 and M2:
 - M1 is a 2-member mirror set consisting of Disk10200 and Disk20200.
 - M2 is a 2-member mirror set consisting of Disk20300 and Disk10300.
- Unit D102 is a 2-member mirror set named M3. M3 consists of Disk10400 and Disk20400.
- Unit D103 is a 3-member stripeset named S2. S2 consists of Disk 10500, Disk20500, and Disk10800.
- Unit D104 is a single (JBOD) disk named Disk20100.
- Disk20800 is a spareset member.

Model 4254 Disk Enclosure Shelf 1 (dual-bus)														
Bus A								Bus B						
Bay	1	2	3	4	5	6	7	8	9	10	11	12	13	14
SCSI ID	00	01	02	03	04	05	08	00	01	02	03	04	05	08
DISK ID	D100 R1 DISK10000	D100 R1 DISK10100	D101 S1 M1 DISK10200	D101 S1 M2 DISK10300	D102 M3 DISK10400	D103 S2 DISK10500	D103 S2 DISK10800	D100 R1 DISK20000	D104 DISK20100	D101 S1 M1 DISK20200	D101 S1 M2 DISK20300	D102 M3 DISK20400	D103 S2 DISK20500	spareset member DISK20800

Figure 2-18. Example storage map-dual bus

Using the LOCATE Command to Find Devices

If you want to complete a storage map at a later time but do not remember where everything is, use the CLI command `LOCATE`. The `LOCATE` command flashes the (fault) LED on the drives associated with the specific storageset or unit. To turn off the flashing LEDs, enter the CLI command `LOCATE cancel`.

The following is an example of the commands needed to locate all the disk drives that make up unit D104:

```
LOCATE D104
```

The LEDs on the disk drives that make up unit D104 will flash. After you have noted the position of all the drives contained within D104, enter the following command to turn off the flashing LEDs:

```
LOCATE CANCEL
```

The following is an example command needed to locate all the drives that make up RAIDset R1:

```
LOCATE R1
```

After you have noted the position of the drives contained within R1, enter the following command to turn off the flashing LEDs:

```
LOCATE CANCEL
```


Chapter 3

Preparing the Host System

This chapter describes how to prepare your Windows NT and Windows 2000 host computer to accommodate the HSG60 controller storage subsystem.

The following information is included in this chapter:

- “Making a Physical Connection,” page 3–1
- “Install the RAID Windows NT and Windows 2000 Device Driver,” page 3–6
- “Installing SWCC Client and Creating Your First Virtual Disk,” page 3–8
- “Verifying/Installing Required Versions,” page 3–15
- “Completing a New RAID Array Configuration,” page 3–16
- “Changes to RAID Array Configuration,” page 3–19

Making a Physical Connection

In order to attach your host computer to the storage subsystem, you must install one or more host bus adapters into the computer. A Fibre Channel cable goes from the host bus adapter to a Fibre Channel (FC) switch.

Preparing to Install the Host Adapter

Perform the following steps:

1. Perform a complete backup of your entire system.
2. Shut down your computer system.

Installing the Host Adapter

The first step in physical connection is installation of a host bus adapter.

NOTE: Protect the host bus adapter board from electrostatic discharge by wearing an ESD wriststrap. DO NOT remove the board from the antistatic cover until you are ready to install it.

You need the following to begin:

- Host bus adapter board
- Your computer hardware manual
- Appropriate tools to service your computer

The host adapter board plugs into a standard PCI slot in the host computer. Refer to your system manual for instructions on installing PCI devices.

NOTE: Don't power on anything yet. In order for the FC switches to autoconfigure, you must power on equipment in a certain sequence. Also, the controllers in the subsystem are not yet configured for compatibility with Windows NT and Windows 2000.

In order for Windows NT or Windows 2000 to recognize new MA6000 Fibre Channel subsystem devices or changes to existing configurations, you must reboot your system to restart Windows NT or Windows 2000.

Installing the KGPSA Adapter Device Driver

Your adapter package provides the required adapter-specific software on a diskette. Use only the adapters and drivers supplied with the adapter kit since these are tested and certified to function with the HSG60 Array Controller.

The KGPSA Adapter Device Driver must be installed as the first step in preparing your server(s). Otherwise, improper KGPSA driver registry settings will result.

For Windows NT 4.0

To install the KGPSA adapter device driver:

1. From the Windows NT Start Menu, select Settings, then open *Control Panel*.
2. Open *SCSI Adapters* from the *Control Panel*.
3. Select *Drivers* tab and then click on *Add*.
4. Select *Have Disk*.

5. Insert the diskette labeled *KGPSA NT DEVICE DRIVER AND DOWNLOAD UTILITY* into the floppy diskette drive.
6. Specify the path to the NT driver, type: *A:\1386*, and then click *OK*.
7. Select *Emulex LP6000/LP7000/LP8000, PCI-Fibre Channel Adapter* from the *SCSI Adapter List* and then click *OK*.
8. Answer *No* to the *Restart?* question, and proceed to the next section.

For Windows 2000

To install the KGPSA adapter device driver:

NOTE: Windows 2000 plug and play technology will automatically install a default driver for the KGPSA adapter.

1. From the Windows 2000 Start Menu, select *Settings*, then open *Control Panel*.
2. From *Administrative Tools*, select *Computer Management*, then open *Device Manager*.
3. Once *Device Manager* is open, select *SCSI and RAID controllers* to select the driver type. Select *Emulex LP6000/7000/8000/9000/850/950, PCI-Fibre Channel Adapter*.
4. Open the *Properties* screen by right-clicking and selecting *Properties*, once *Properties* is open, select the *Driver* tab.
5. From the *Driver* screen, select the *Update Driver* button to begin the *Upgrade Device Driver Wizard*.
6. From the second screen of the wizard, select *Display a list of the known drivers for this device so that I can choose a specific driver*.
7. In the third screen of the wizard, click on the *Have Disk* button, then the *Install From Disk Box* will appear. Select *Browse*.
8. From *Browse*, select *CD-ROM*. Then, from the CD that came with your kit, open the *KGPSA* folder.
9. Once the *KGPSA* folder opens, select the *WIN2K* folder for OEM setup. Proceed through the remaining steps of the wizard to complete the driver installation.

Initial Setup Settings

Terms and Definitions

It may be useful to be familiar with the following terms and definitions when making the necessary choices for initial setup.

SCSI - Data transfer protocol used in computers and storage systems. SCSI-3 is a superset of SCSI-2.

CCL - Command Console LUN, a "SCSI Logical Unit Number" virtual-device used for communicating with Command Console Graphical User Interface (GUI) software.

Failover - The ability for HSG80 controllers to transfer control from one controller to another in the event of a controller failure. This ensures uninterrupted operation. Use Transparent Failover mode for single-server configurations. Use Multi-bus mode for Secure Path based configurations.

Fibre Channel - Very high-speed data bus protocol and technology used to connect computer components. It is what connects the RA8000/ESA12000 or MA8000/EMA12000 to your server. Use Arbitrated Loop mode for hub configurations and Fabric mode for switches.

Settings

Your new storage system components must be initially configured using a serial cable connection to the HSG80 array controllers. You may change one or more of the following settings: SCSI-2 or SCSI-3 mode, CCL enabled or disabled, Transparent or Multi-bus Failover mode, and Arbitrated Loop or Fabric mode.

The controllers are preset with the following settings:

- SCSI-2 mode
- CCL enabled
- Transparent Failover mode
- Arbitrated Loop mode (fixed addresses)

For Windows NT 4.0 or Windows 2000, you can use either SCSI-2 or SCSI-3 mode with the ACS 8.5 version of HSG60 controller software. However, if you intend to use your storage system in a heterogeneous system environment, you may need to use a specific SCSI mode depending on what is required for the other, connected operating systems. Also, for Windows NT 4.0/Windows 2000, if you use the preset SCSI-2 mode, then you must change CCL to the disabled state.

You will need to use serial for your initial setup to define how your server and storage system interact. The HSG60 controller comes shipped with a setting of SCSI-2 and CCL enabled. This means the storage controller can communicate using SCSI-2 protocols and its Command Console Lun feature is enabled. With ACS V8.5, SCSI-3 protocol is also supported. If you choose to use SCSI-3, then CCL is permanently enabled. The choices you have for Windows NT are to use either SCSI-3 with CCL permanently enabled, or SCSI-2 with CCL disabled.

NOTE: If you choose SCSI-2 with CCL enabled you will get Disk Administrator errors. Therefore, at initial setup, you will need to either:

- Leave the controller set to SCSI-2 protocol but disable CCL,
- or Set the controller to SCSI-3 protocol

Your choice will depend on how you later intent to use your storage system. In certain heterogeneous environments, you may be required to use SCSI-3 protocols (for example, if sharing your storage system with an Open VMS-based server). You may choose to use SCSI-2 protocol if you are sharing your storage system with a server that requires SCSI-2 protocols. In this case, whether or not CCL is required may become an issue. You can get up-to-date information about configuration rules from application notes that are available at Compaq's support website: www.compaq.com.

NOTE: Choosing either disabling CCL under SCSI-2 or enabling SCSI-3 will require you to make an initial serial line connection to your HSG60 controller.

For the HSG60 controllers and KGPSA adapter driver, if you plan to connect to a Fibre Channel fabric switch, then you must change to Fabric mode. Information about other operating system and heterogeneous configuration requirements are available in application notes at the Compaq Support world wide web site: www.compaq.com/support.

If you plan to install Secure Path software, then you must select Multiple-bus mode in both of your HSG60 controllers. Instructions are available in the Secure Path software kit.

Install the RAID Windows NT and Windows 2000 Device Driver

The Fibre Channel Software and RAID Windows NT/Windows 2000 Device Driver (HSxDisk.sys) software is installed on your host server from the SWCC CD-ROM. After you insert the CD-ROM, the program should start automatically.

NOTE: If the program does not start automatically after inserting the CD-ROM, go to the CD-ROM drive directory and click on install.bat. in the root directory.

The software installation program provides one main option:

- Solution Software for ACS Version 8.5
1. Click on the Solution Software option.
 2. From the Fibre Channel Solution Software menu that appears, select Install FC Software/HSxDisk Driver.

The Fibre Channel Software performs as follows:

- Automatically installs the HSxDisk SCSI Driver.
- Automatically sets registry for proper operational use of the KGPSA Fibre Channel host adapter with the StorageWorks MA6000 Fibre Channel system.
- Enables "Extended Configuration" settings to be specified in a Fibre Channel Switch (FC-SW) topology.
- Enables Arbitrated Loop Physical Address (ALPA) settings to be specified for the KGPSA adapter in a Fibre Channel Arbitrated Loop (FC-AL) topology.
- Copies the appropriate driver to the %systemroot%\system32\drivers folder.
- Checks for SCSI related error log events since the last system boot.
- Reports SCSI driver revision information.

HSxDisk Driver

NOTE: HSxDisk refers to HSZDisk for Windows NT 4.0 or HSXDisk for Windows 2000.

The HSxDisk driver works with the Compaq HSZ/HSG-family of RAID controllers to enhance Windows NT's on-line storage availability and fault-tolerance.

HSxDisk works in single-host and cluster environments to maintain optimum subsystem performance during storage set error recovery conditions (*Example:* the failure of a RAID 3/5 or mirror-set drive member).

HSxDisk also works in single-host and cluster environments to assist the subsystem during controller failover and failback operations. In Windows NT/Windows 2000 cluster environments, HSxDisk works to facilitate HSZ/HSG-based storage set migration during host failover and failback events.

HSxDisk will only service HSZ and HSG based storage devices and will not affect the operation or performance of other storage devices on the system. The driver makes use of the Windows NT/Windows 2000 system event log and will post error and informational events when required. If the driver loads successfully during boot time, it will post an informational message in the log reporting that it claimed available HSZ and HSG-based storage sets.

Fibre Channel Software Setup utility supports driver un-installation with Windows NT 4.0 or Windows 2000. HSxDisk may be uninstalled using the Add/Remove program applet from the control panel. However, you should not uninstall the driver unless you have disconnected the subsystem from the server(s). HSG-family RAID controllers should never be installed without HSxDisk.sys configured.

KGPSA Driver Support

The KGPSA is the PCI Fibre Channel adapter that is supported with the StorageWorks MA6000 Fibre Channel RAID System. Because the Fibre Channel Software Setup utility can only modify existing KGPSA registry settings, the driver from the supplied floppy must be installed prior to running the Fibre Channel Setup Utility (reference the section "Installing the KGPSA Adapter Device Driver").

The Fibre Channel Setup Utility changes the KGPSA driver registry settings and copies an updated version of the driver to the driver's directory to ensure proper operational use of the KGPSA Fibre Channel host adapter with the StorageWorks MA6000 Fibre Channel system. These registry settings are required for both single host and Windows NT/Windows 2000 Cluster configurations.

Fibre Channel Switch: —The Fibre Channel Setup Utility makes all the driver changes to support fabric topology automatically.

Fibre Channel Hub:—Fibre Channel Software Setup also requires you to select an Arbitrated Loop Physical Address (ALPA) when configured in a FC-AL Topology. StorageWorks supports up to four servers on the same Arbitrated Loop and recommends using the low numbers ALPAs for each Windows NT/Windows 2000 Server (or KGPSA adapter). Each server must have a unique ALPA. The recommendation is as follows:

NT/2000 Server	ALPA Assignment
Server 1	1
Server 2	2
Server 3	3
Server 4	4

Note that ALPA assignments are not applicable to a Fibre Channel Switch configuration. See *Appendix C* for a complete list of valid ALPA settings.

Installing SWCC Client and Creating Your First Virtual Disk

This section contains instructions for installing StorageWorks Command Console (SWCC) Client, a Graphical User Interface (GUI), configuring the HSG60 array controller for Windows NT and Windows 2000 operation, and creating your first virtual disk.

NOTE: For more information, use the on-line HELP in the SWCC Storage and CLI Windows.

This section provides the instructions required to accomplish the following tasks:

- Install the HSG60 StorageWorks Command Console (SWCC) software.
- Launch Command Console Client.
- Establish communications with the HSG60 controller over the serial port.
- Configure the HSG60 controller for Windows NT or Windows 2000 operation.
- Create your first virtual disk.

Connection Methods

There are three connection methods for SWCC:

- Serial
- SCSI
- Network

You will need to use serial for your initial setup to define how your server and storage system interact. The HSG60 controller comes shipped with a setting of SCSI-2 and CCL enabled. This means the storage controller can communicate using SCSI-2 protocols and its Command Console Lun feature is enabled. With ACS V8.5, SCSI-3 protocol is also supported. If you choose to use SCSI-3, then CCL is permanently enabled. The choices you have for Windows NT are to use either SCSI-3 with CCL permanently enabled, or SCSI-2 with CCL disabled.

NOTE: If you choose SCSI-2 with CCL enabled you will get Disk Administrator errors. Therefore, at initial setup, you will need to either: [1] Leave the controller set to SCSI-2 protocol but disable CCL, or [2] set the controller to SCSI-3 protocol.

Your choice will depend on how you later intent to use your storage system. In certain heterogeneous environments, you may be required to use SCSI-3 protocols (for example, if sharing your storage system with an Open VMS-based server). You may choose to use SCSI-2 protocol if you are sharing your storage system with a server that requires SCSI-2 protocols. In this case, whether or not CCL is required may become an issue. You can get up-to-date information about configuration rules from application notes that are available at Compaq's support website: www.compaq.com

NOTE: Choosing either disabling CCL under SCSI-2 or enabling SCSI-3 will require you to make an initial serial line connection to your HSG60 controller.

Serial Port Connection

This method is required to setup your controller and create your first virtual disk. This chapter shows you how to use Command Line Interpreter (CLI) to disable CCL in SCSI-2. You will also use CLI to create an initial virtual disk that enables subsequent SWCC communications using one of the other two methods. The serial port method provides a local, direct connection to your storage array.

NOTE: The rest of this chapter describes controller setup assuming you will retain SCSI-2 mode and disable CCL.

Other Communication Methods

After initial setup, you will be able to connect and communicate with your MA6000 Fibre Channel system over a network or the SCSI bus.

SCSI Bus Connection. A local connection method allows you to connect to your MA6000 Fibre Channel system over the SCSI bus.

Network Connection. You can communicate with your MA6000 Fibre Channel system over a TCP/IP network.

Installing StorageWorks Command Console Client

The minimum requirements to run StorageWorks Command Console Client are:

- **PC Requirements:** X86, 66 MHz, 16 MB memory, 10 MB free disk space, and CD-ROM drive
- **Operating System:** Microsoft Windows NT 4.0 or Windows 2000.

Verify that you have SNMP service installed. Refer to Chapter 2 of the *Compaq StorageWorks Command Console V2.3 User Guide* document for further instructions.

The Command Console Client software is installed on your host system from the StorageWorks Command Console CD-ROM. After you insert the CD-ROM, the program should start automatically.

NOTE: If the program does not start automatically after inserting the CD-ROM, go to the CD-ROM drive directory and click on install.bat).

The installation program provides one primary option:

- **Solution Software for ACS version 8.5**

Select it to install the software.

From the Fibre Channel Solution Software menu that appears, select *Install StorageWorks Command Console* option. The StorageWorks Command Console software will be automatically installed.

Launching Command Console Client

To start Command Console from the Start Menu, click on the HSG60 Storage Window name.

The choices Client provides you with at startup are:

- **CLI Window:** HS-series controllers provide a feature called the Command Line Interpreter (CLI) for configuring and monitoring your storage controllers using text-based commands. With the CLI, you can connect a maintenance terminal directly to your controller and manage it using the complete set of CLI commands. You can also use a host-based, virtual terminal, such as Command Console's CLI Window, to make the connection.
- **StorageWorks CC HSG60Storage:** Displays the Storage Window. This choice lets you monitor and configure one storage subsystem using Client's graphical user interface. All connection choices are provided: serial line, SCSI bus and network (TCP/IP).
- **StorageWorks Command Console:** Displays the Navigation Window. The Navigation Window is a network navigation tool used to manage and monitor storage subsystems over a TCP/IP network. This choice lets you monitor and configure one or many storage subsystems over a network using Client's graphical tools. Refer to Chapter 5, *Communicating Over a Network*, for details.

To disable CCL:

Establish a CLI connection. To invoke a CLI window from the Command Console Client's START menu, select Command Console, then the CLI Window option.

The Connection Selection Window appears. Select Serial. At the next window select 9600 baud rate and click Connect to invoke the CLI window. Type this command to disable the Communication LUN:

```
set this_controller nocommand_console_lun
```

Close the CLI Window.

Establishing a Serial Connection to the HSG60 Storage Window

To setup your HSG60 controller and create your first virtual disk, establish a serial cable connection from one of the PC's COM ports to the storage subsystem's CTR TOP or CTR BOTTOM configuration port, and proceed as follows:

3-12 MA6000 HSG60 Array Controller ACS Version 8.5 Solution Software for Windows NT and Windows 2000 Installation and Configuration Guide

1. Click on the Start button on the taskbar.
2. Click on Programs.
3. Click on Command Console.
4. Click on StorageWorks CC HSG60Storage.
5. When the Connection Selection dialog box displays, click the Serial radio button, then click OK to display the Connect Serial dialog box.
6. On the Connect Serial dialog box, from the drop-down menu, select the PC COM port your HSG60 controller is connected to, then select the baud rate (controller default is 9600). Then click the Connect button to display the Storage Window. You are now connected to your storage subsystem. The next step is to configure the controller.

NOTE: The top windowpane displays the virtual disks you create. The bottom windowpane shows the devices you have installed in the MA6000 Fibre Channel Subsystem. At startup, Command Console finds installed drives and displays them in a grid by channel and SCSI ID number.

Controller Properties

NOTE: This section discusses one method for setting controller properties. Controller properties can also be set using the CLI.

Your controller's operating parameters are stored in property sheets. Controller property sheets are accessed by double-clicking on a controller icon in the Storage Window or right-clicking on the icon and selecting Properties. Property sheets are tabbed. To access a sheet, click on its tab.

Changes in all fields causes a controller restart to place the changes in effect. The program prompts you for confirmation before it restarts your controller.

NOTE: After you change a parameter that causes a controller restart, there is approximately a 90-second delay while the controller reinitializes.

1. Access the controller's property sheets by double-clicking the controllers' icon in the Storage Window. When you double-click on a controller's icon the General controller properties sheet displays. The controller has five property sheets. Each sheet is accessed by clicking on its tab.
2. Confirm the following:
 - Allocation class is 0
 - SCSI Version is SCSI-2

You can also set time and date general properties.

3. Click the Host Ports tab to display the host port operating parameters. For FC hub configurations, verify that the "Requested Topology" and "Actual Topology" settings appear. Requested Topology should show LOOP_HARD and Actual Topology for the Top Controller should show Loop Up. It should show standby for the Bottom Controller.

For FC switch configurations, verify that the "Requested Topology" fields read FABRIC, and the "Actual Topology" field reads "fabric up". (The "Requested Port" and "Actual Port" Address fields will not exist, and the words "REMOTE COPY = none" appears at the bottom of the window). For more details regarding host port settings, reference the *Compaq StorageWorks Command Console V2.3 for the MA6000 User Guide*.

4. Click the Cache tab to check cache size.

Confirm the following:

- Cache flush_time: (seconds): is 10.
- Respond to internal cache battery condition is selected.

5. Click the Communications LUN tab.

The Communications LUN is not used with Windows NT/Windows 2000 in SCSI-2 mode. It should be disabled (grayed out). If the Communications LUN is enabled, you must disable it using the CLI window. First close the Storage Window, and establish a CLI connection. To invoke a CLI window from the Command Console Client's START menu, select Command Console, then the CLI Window option.

The Connection Selection Window (Figure 2-4) appears. Select Serial. At the next window select 9600 baud rate and click Connect to invoke the CLI window. Type this command to disable the Communication LUN:

```
set this_controller nocommand_console_lun
```

Close the CLI Window. Return to the Windows Start Menu and select the HSG60 Storage Window option to re-open the storage window.

6. Click the Connections tab.

Confirm the following:

- WINNT is selected
- Unit Offset should be between 0-99 for Host Port 1, and between 100-199 for Host Port 2 (if connected)

7. Click the Battery tab.

NOTE: Confirm that the battery is fully charged. If not, wait until it is fully charged, before using the system

Creating Your First Virtual Disk

Command Console can create a number of different types of logical storage units called virtual disks on your MA6000 Fibre Channel Subsystem. You can create:

- Single-device virtual disks (JBODs).
- Striped virtual disks (RAID 0).
- Mirrored virtual disks (RAID 1).
- Striped mirrored virtual disks (RAID 0+1).
- Striped parity virtual disks with floating parity disk (RAID 3/5).

Virtual disks are created using Command Console Virtual Disk Wizard.

Start the Wizard

After you have established a serial connection to your MA6000 Fibre Channel Subsystem and have accessed the subsystem's Storage Window, Select Add Virtual Disk from the Storage menu to start the Virtual Disk Wizard.

Create the Virtual Disk:

1. Click the radio button of the RAID level you want, then click Next.
2. Select the devices you want to include in the virtual disk from a list of available storage devices. You select devices by clicking on them in the Available Storage window in the dialog box. As you click them, they are listed in the Selected devices: windowpane.
3. Select the capacity for the virtual disk, then click Next. The wizard offers you the option of using only a portion of the capacity of the devices you have selected for your new virtual disk. It displays the total, available capacity of the devices you have selected in the capacity box. Enter the size of the virtual disk you want to create in the box, then click Next. If you want to create multiple partitions, complete all steps for this partition. Then, access the wizard again, and enter the same choices to create another partitioned disk. When finished, click Next.

4. Enter the virtual disk name (Windows NT/Windows 2000 recognizes D0 to D7 on Host Port 1 and D100 to D107 on Host Port 2). Enter the maximum cache transfer blocks, then click Next. Host Access controllers which servers are allowed to access your storage system's virtual disk.
5. The final Virtual Disk Wizard window, Step 5, recaps the choices you have made in Steps 1 through 4. If you are satisfied with your choices, click Finish.
6. When you click Finish, the storage set will start initialization.
7. You can view the virtual disk(s) you have created by returning to the Storage Window.

NOTE: For more information, use the on-line HELP in the SWCC Storage and CLI Windows.

Verifying/Installing Required Versions

Verifying that HSZDISK.SYS loaded

NOTE: On Windows NT 4.0, HSxDisk is HSZDisk. On Windows 2000, HSxDisk is HSXDisk.

Before you run Disk Administrator, verify that hszdisk recognizes the volumes that you created in the MA6000 Fibre Channel as follows:

Open the *Event Viewer* in the *Administrative Tools* group. Look for an entry for HSxDisk in the Event Viewer window.

- If an entry for HSxDisk appears with 0 in the *Event* column, the HSxDisk loaded successfully and connected to at least one logical volume in the MA6000 Fibre Channel.
- If no entry for the HSxDisk appears in the Event View window, reinstall hszdisk.
- If an entry for HSxDisk appears with a 1 in the *Event* column, HSxDisk did not load because it did not find any logical drives. Ensure that you have added logical units correctly.

Completing a New RAID Array Configuration

This section summarizes how to use the Windows NT and Windows 2000 Disk Administrator to complete a new subsystem configuration under Windows NT and Windows 2000. For additional information, refer to your Windows NT and Windows 2000 documentation. Before you begin, remember to back up your system using normal backup procedures.

Starting the Disk Administrator

Select *Start>Programs/Administrative Tools (Common)/Disk Administrator*. Click on *Disk Administrator* to run the Disk Administrator program.

NOTE: The first time you run Disk Administrator after adding new disks, one or more messages may appear asking you to confirm whether you want to have Disk Administrator provide its “signature” on the new disks. Click **Yes** to have Disk Administrator recognize these new disks. For more information on this subject, refer to your Windows NT or Windows 2000 documentation.

Understanding the Disk Administrator Display

Disk Administrator creates a “Bar Chart” display of your disk configuration. Windows NT or Windows 2000 names the various devices that were created using the subsystem. Each disk device found by Windows NT or Windows 2000 is given a name; for example, Disk 0, Disk 1, etc. There should be an entry shown for each disk (JBOD) or storage set created.

Windows NT or Windows 2000 assigns disk names based on the order in which the system drivers “find” disks during Windows NT or Windows 2000 boot. The subsystem uses a special disk class driver (HSZDISK.SYS) that connects to all HSG60 disks *before* any other disks present in the system are connected. Therefore, the first entries in the Disk Administrator display should represent all your subsystem logical volumes.

Verifying your Configuration

Verify that there is an entry in the Disk Administrator display for each of your subsystem volumes. If there is not, you should go back and recheck your configuration.

Verify that the capacity shown matches the size of the physical disk or subsystem. If it does not match, recheck the logical configuration for the MA6000 Fibre Channel system and its members.

NOTE: Disk Administrator displays the “usable” capacity of a RAIDset and MIRRORset, not the combined total of the physical members.

Creating the Partitions

NOTE: See the CREATE_PARTITION command in the *Compaq StorageWorks HSG60/HSG80 Array Controller ACS Version 8.5 CLI Reference Guide* for a description of the partition switches.

1. For each disk shown, click on the partition area that you want to create.
2. From the *Partition* pull-down menu, choose *Create* to display the *Create Primary Partition* window.

NOTE: A disk cannot be accessed unless it contains at least one valid partition that was created under disk administrator.

3. In the *Create Primary Partition* window, enter the size partition you want, then click on *OK*. Depending on the partition size you choose, a message window may appear asking you to confirm your selection.
4. Continue to create new partitions until all disks have been partitioned.

Making Drive Letters Permanent

The process of creating partitions assigns a logical name (letter “C”, “D”, etc.) to each partition. These letter assignments, under Windows NT and Windows 2000, will normally “float”. As an option, you can make the drive letters permanent. If you want to make the letter assignments permanent, proceed as follows:

1. Access the *Tools* pull-down menu.
2. Select *Drive Letter* then choose *To Assign*. This process must be repeated for each partition (drive letter) that you wish to make “permanent.”

Committing the Changes

When you have created all your partitions, commit the changes as follows:

1. Access the *Partition* pull-down menu.
2. Click on *Commit Changes Now*. A message window appears asking you to confirm the changes. Confirm the changes if they are correct.

NOTE: A message window will appear following this step asking you if you wish to save a copy of the configuration to a floppy. You may do so at this time, as prompted by the screen display.

Formatting the Newly Created Partitions

1. While still running Disk Administrator, click on the *Tools* pull-down menu, and select *Format* to access the Format menu. The Format menu options allow you to choose the file system type, *FAT* or *NTFS*, and the *Quick Format* option.
2. Select a file system and click *Start* to begin the format process. A message window appears advising you when the formatting is complete.
3. Continue to format each new partition until all partitions have been formatted.
4. When all partitions have been formatted, close Disk Administrator. At this point, the configuration has been completed, and is recognized by Windows NT or Windows 2000.

Changes to RAID Array Configuration

NOTE: Before making changes, backup your system.

When making changes to an existing RAID Array configuration, any existing disk partitions to be changed (or removed) must first be deleted using the Windows NT or Windows 2000 Disk Administrator. After they have been deleted, you may use the CLI to create new Storagesets.

Removing Disk Partitions

1. From *Disk Administrator*, click the partition you wish to delete.
2. Access the *Partition* menu and choose *Delete*.
3. Continue selecting and deleting the partitions until you have deleted all the partitions you wish. When finished, click on *Commit Changes Now*. You may now reconfigure the subsystem using the CLI.
4. Reboot your system so Windows NT or Windows 2000 will recognize the changes.

Chapter 4

Installing and Configuring the HS-Series Agent

The following information is included in this chapter:

- “Why Use StorageWorks Command Console?,” page 4-1
- “Installation and Configuration Overview,” page 4-3
- “Before You Install the Agent,” page 4-5
- “Installing and Configuring the Agent,” page 4-5
- “Reconfiguring the Agent,” page 4-7
- “Removing the Agent,” page 4-16

Why Use StorageWorks Command Console?

StorageWorks Command Console (SWCC) lets you monitor and configure the storage connected to the HSG60 controller. SWCC is comprised of a Client and Agent. The Client provides pager notification and lets you manage your virtual disks. Client runs on Windows 2000 and Windows NT 4.0 (Intel) with Service Pack 4 or later.

The Agent obtains the status of the storage connected to the controller. It also passes the status of the devices connected to the controller to other computers

To receive information about the devices connected to your HSG60 controller over a TCP/IP network, you must install the Agent on a computer that is connected to a controller.

4-2 *MA6000 HSG60 Array Controller ACS Version 8.5 Solution Software for Windows NT and Windows 2000 Installation and Configuration Guide*

The Agent can also be used as a standalone application without Client. In this mode, which is referred to as Agent only, Agent monitors the status of the subsystem and provides local and remote notification in the event of a failure. A subsystem is comprised of the HSG60 controller and its devices. Remote and local notification can be made by SNMP messages to an SNMP monitoring program.

Table 4-1 SWCC Features and Components

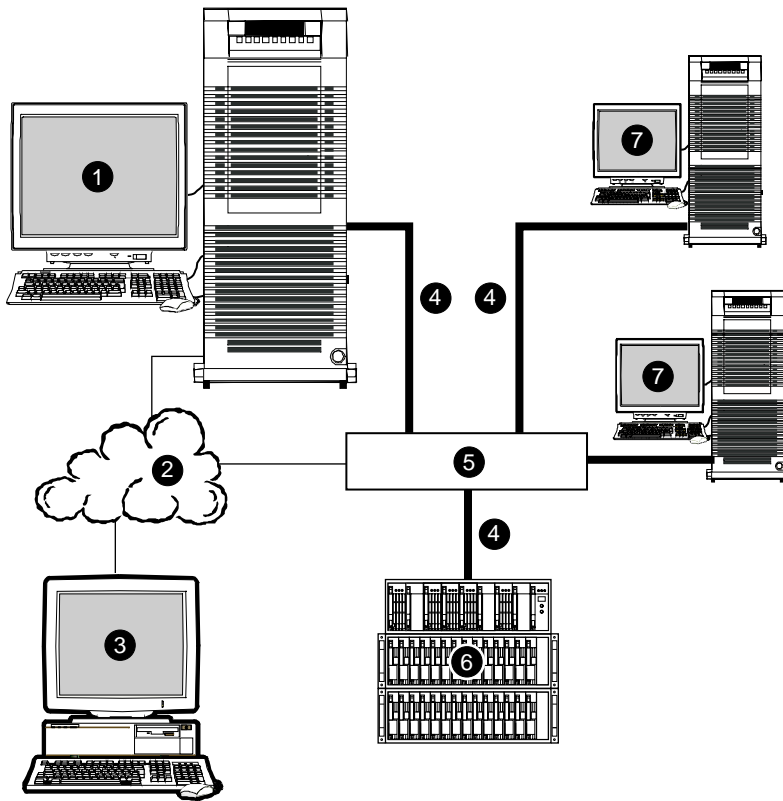
Features	Agent Required?	Client Required?
Able to create the following: <ul style="list-style-type: none">■ Striped device group (RAID 0)■ Mirrored device group (RAID 1)■ Striped mirrored device group (RAID 0+1)■ Striped parity device group (RAID 3/5)■ Individual device (JBOD)	Yes	Yes
Able to monitor many subsystems at once	Yes	Yes
Event logging	Yes	No
Pager notification	Yes	Yes

NOTE: For serial and SCSI connections, the Agent is not required for creating virtual disks.

The following table provides an overview of the installation.

Table 4-2 Installation and Configuration Overview

Step	Procedure
1	Verify that your hardware has been setup correctly. See the previous chapters.
2	Verify that you have a network connection for the client and agent systems.
3	<ul style="list-style-type: none"> <li data-bbox="479 793 1321 961">■ If you plan to connect the HSG60 to a computer running Windows NT 4.0 or Windows 2000 in SCSI-2 mode, you must disable the Command Console LUN (CCL) and create a virtual disk by using the command line interface (CLI). For information on how to disable the CCL, See "The Command Console LUN" in Chapter 1. For information on how to create a virtual disk, see "Add Unit" in the <i>Compaq StorageWorks HSG60/HSG80 Array Controller ACS Version 8.5 CLI Reference Guide</i>. <li data-bbox="479 982 1242 1037">■ For all other connections, verify that the Command Console LUN has been enabled. See "The Command Console LUN" in Chapter 1.
4	Install the Agent (TCP/IP network connections) on a system connected to the HSG60 controller. See "Installing and Configuring the Agent," page 4-5.
5	Add the name of the client system to the Agent's list of client system entries (TCP/IP network connections). This can be done during installation or when reconfiguring the Agent.
6	Install the Client software on Windows 2000 or Windows NT 4.0 (Intel) with Service Pack 4 or later.
7	Add the name of the agent system to the Navigation Tree of each client system that is on the Agent's list of client system entries (TCP/IP network connections).
8	Set up pager notification (TCP/IP network connections). Refer to "Setting Up Pager Notification" in the <i>Compaq StorageWorks Command Console Version 2.3. for the MA6000 User Guide</i> .



CXO7240A

Figure 4-1. An example of a network connection

- | | |
|---|---|
| ① Agent system (has the Agent software) | ⑤ Hub or switch |
| ② TCP/IP Network | ⑥ HSG60 controller and its devices (MA6000) |
| ③ Client system (has the Client software) | ⑦ Servers |
| ④ Fibre Channel cable | |

Before You Install the Agent

1. Log into an account that is a member of the administrator group. All Agent installations on Windows NT must be done locally. Do not attempt to install the Agent over the network.
2. Remove previous versions of the Agent from your computer.
3. Read the release notes.
4. If any of your shortcuts point to a floppy drive, a CD-ROM drive, or a removable drive, verify that the floppy or CD-ROM drives are not empty and that the removable drive is present. The installation will check the shortcuts on the desktop and in the Start menu. The installation will check the shortcuts of all users for that computer, even if they are not currently logged on.

Installing and Configuring the Agent

1. Insert the Solution Software CD-ROM into the host system. A menu appears on your screen. If a menu does not automatically appear after inserting the CD-ROM, go to the top-level directory on the CD-ROM and double-click `install.bat`.
2. Follow the on-screen prompts for Solution Software for Array Controller Software (ACS) version 8.5 and Command Console Agent (HS-Series Agent).
The software displays the Welcome window.
3. Click Next. Follow the instructions on the screen.
After the computer installs the software, you are asked if you want to configure the Agent.
4. Click Continue to configure your Agent. The Windows NT Agent Configuration Step 1 of 3 window appears.
5. Enter your password in the New field, and retype it in the Verification field. The password must have 4 to 16 characters.
6. Click Next to continue. The following message appears:
Password Validation Successful.
7. Click *OK* to continue. The Windows NT Agent Configuration Step 2 of 3 window appears.
8. In the Selected Client field, enter the name of the client system entry that you want to receive updates from this Agent. In addition, adding a client system entry allows you to access the agent system from the Navigation Tree on that client system. Choose TCP/IP and/or SNMP for your notification scheme.

NOTE: : Put your most important client systems at the top of this list and the client systems that are connected infrequently to the network at the bottom. The Agent first contacts the client systems that are located at the top of the list.

The following describes how the Transmission Control Protocol/Internet Protocol (TCP/IP) and the Simple Network Management Protocol (SNMP) work with SWCC:

Table 4-3 Client System Notification Options

Options	SWCC Function
Transmission Control Protocol/Internet Protocol (TCP/IP)	<ul style="list-style-type: none"> ■ Automatically updates the Storage Window of subsystem changes ■ Required for event logging and pager notification ■ If you do not select TCP/IP, you will need to refresh the Storage Window (depending on the subsystem) to obtain the latest status of a subsystem.
Simple Network Management Protocol (SNMP)	<ul style="list-style-type: none"> ■ Requires you to use an SNMP-monitoring program to view SNMP traps

9. Select one of the following for your access privileges: overall status, detailed status, and configuration. The access privilege level controls the client system's level of access to the storage subsystems. The following explains the client system access options:

Table 4-4 Client System Access Options

Options	SWCC Function
Overall Status	<ul style="list-style-type: none"> ■ Can use the Client to add a system to a Navigation Tree, set up a pager, and view properties of the controller and the system ■ Cannot use Client to open a Storage Window
Detailed Status	<ul style="list-style-type: none"> ■ Can use the Client to open a Storage Window, but you cannot make modifications in that window
Configuration	<ul style="list-style-type: none"> ■ Can use the Client to make changes in a Storage Window to modify a subsystem configuration

10. Click Add Client to add the client system entry to the Client list. For more information on adding, deleting, or modifying a Client, see "Configuring the Agent on Windows NT."
11. Click Next to continue. If the Windows NT Agent Configuration Step 3 of 3 window appears, go to step 13.

If you had previously added a subsystem, the following message appears:

A previous storage list is detected. Would you like to scan the subsystem to update the information? The subsystem names will revert to default settings.

If you click Yes, the software will automatically add entries for the new subsystems and restore default subsystem information for the existing entries.

Or

If you click No, the software will keep the current settings.

The Windows NT Agent Configuration Step 3 of 3 window appears.

12. The configuration wizard should have created an entry for the subsystems attached to this system. To modify the name or other settings for a subsystem, see “Configuring the Agent on Windows NT.”
13. Click *Finish*. A message, warning you to restart your Agent, appears.
14. Click *OK*. The computer asks the following:
Would you like to start the Windows NT Agent service now?
15. Click Yes. The Agent starts.
16. Add this system to the Navigation Tree of each client system that you added to the Agent's list (*File > Add System* in the Command Console Client). Refer to the Command Console Client Help.

Reconfiguring the Agent

You can change the configuration you created when you installed the Agent by using the HS Series Agent Configurator, which can be accessed from the Start menu.

Changing the Agent Access Password

The password controls access to the Agent configuration.

1. Open the HS Series Agent Configurator.
2. Click Continue. The NT Agent Configuration Step 1 of 3 window appears.
3. Enter your new password in the New field, and retype it in the Verification field. The password must have 4 to 16 characters.
4. Click Next to continue. The following message appears:
Password Validation Successful.

5. Click *OK* to continue. The NT Agent Configuration Step 2 of 3 window appears.
6. Click *N*ext to continue. If the NT Agent Configuration Step 3 of 3 window appears, go to step 7.

The following message appears if you had previously added a subsystem:

A previous storage list is detected. Would you like to scan the subsystem to update the information?
(Subsystem names will revert to default settings.)

If you click *Y*es, the software will automatically add entries for the new subsystems and restore default subsystem information for the existing entries.

Or

If you click *N*o, the software will keep the current settings.

The NT Agent Configuration Step 3 of 3 window appears.

7. Click *F*inish. The following message appears:
No subsystem information was added to the subsystem list. Subsystem list will not be created or modified.
8. Click *OK*. The Welcome NT Agent Configuration Utility window appears.
9. Click *E*xit to quit the NT Agent Configuration Utility.
10. You must stop and restart the Agent for your changes to take effect. For instructions, see “Stopping and Starting the Agent,” page 4–14 in this chapter.

Adding a Client System Entry

For a client system to receive updates from the Agent, you must add the client system to the Agent’s list of client systems. The Agent will only send information to client systems that are on this list. In addition, adding a client system entry allows you to access the agent system from the Navigation Tree on that client system.

NOTE: Put your most important client systems at the top of this list and the client systems that are connected infrequently to the network at the bottom. The Agent first contacts the client systems that are located at the top of the list.

1. Open the HS Series Agent Configurator.
The Welcome NT Agent Configuration Utility window appears.
2. Click *C*ontinue. The NT Agent Configuration Step 1 of 3 window appears.
3. Click *N*ext to continue. You do not need to enter your password. The NT Agent Configuration Step 2 of 3 window appears.

4. Enter the name of the client system entry that you want to have access to this Agent in the Selected Client field.
5. Select TCP/IP and/or SNMP for your notification scheme. For a definition of the notification scheme, see Table 4-3 on page 4-6.
6. Select one of the following for your access privileges: overall status, detailed status, and configuration. For a definition of each access privilege level, see Table 4-4 on page 4-6.
7. Click A*dd Client* to add the client system entry to the list of client system entries.
8. Click N*ext* to continue. If the NT Agent Configuration Step 3 of 3 window appears, go to step 9.

The following message appears if you had previously added a subsystem:

A previous storage list is detected. Would you like to scan the subsystem to update the information? (Subsystem names will revert to default settings.)

If you click Y*es*, the software will automatically add entries for the new subsystems and restore default subsystem information for the existing entries.

Or

If you click N*o*, the software will keep the current settings.

The NT Agent Configuration Step 3 of 3 window appears.

9. Click F*inish*. The following message appears:
No subsystem information was added to the subsystem list. Subsystem list will not be created or modified.
10. Click O*K*. The Welcome NT Agent Configuration Utility window appears.
11. Click E*xit* to quit the NT Agent Configuration Utility.
12. You must stop and restart the Agent for your changes to take effect. For instructions, see “Stopping and Starting the Agent,” page 4-14 in this chapter.

Modifying a Client System Entry

1. Open the HS Series Agent Configurator.
The Welcome NT Agent Configuration Utility window appears.
2. Click C*ontinue*. The NT Agent Configuration Step 1 of 3 window appears.
3. Click N*ext* to continue. You do not need to enter your password. The NT Agent Configuration Step 2 of 3 window appears.

4-10 MA6000 HSG60 Array Controller ACS Version 8.5 Solution Software for Windows NT and Windows 2000
Installation and Configuration Guide

4. Select the client system entry that you want to modify. You can change your notification scheme and/or your access privileges.
5. Click Modify Client to confirm your changes.
6. Click Next to continue. If the NT Agent Configuration Step 3 of 3 window appears, go to step 7.

The following message appears if you had previously added a subsystem:

A previous storage list is detected. Would you like to scan the subsystem to update the information?
(Subsystem names will revert to default settings.)

If you click Yes, the software will automatically add entries for the new subsystems and restore default subsystem information for the existing entries.

Or

If you click No, the software will keep the current settings.

The NT Agent Configuration Step 3 of 3 window appears.

7. Click Finish. The following message appears:
No subsystem information was added to the subsystem list. Subsystem list will not be created or modified.
8. Click OK. The Welcome NT Agent Configuration Utility window appears.
9. Click Exit to quit the NT Agent Configuration Utility.
10. You must stop and restart the Agent for your changes to take effect. For instructions, see “Stopping and Starting the Agent,” page 4-14 in this chapter.

Deleting a Client System Entry

When a you delete client system entry from the Agent’s list, the following occurs:

- The Agent stops sending updates to that client system
 - You are unable to access this agent system from the Navigation Tree.
1. Open the HS Series Agent Configurator.
The Welcome NT Agent Configuration Utility window appears.
 2. Click Continue. The NT Agent Configuration Step 1 of 3 window appears.
 3. Click Next to continue. You do not need to enter your password. The NT Agent Configuration Step 2 of 3 window appears.
 4. Select the client system entry that you want to delete in the Selected Client field. Click Delete Client.

5. Click Next to continue. If the NT Agent Configuration Step 3 of 3 window appears, go to step 6.

The following message appears if you had previously added a subsystem:

A previous storage list is detected. Would you like to scan the subsystem to update the information? (Subsystem names will revert to default settings.)

If you click Yes, the software will automatically add entries for the new subsystems and restore default subsystem information for the existing entries.

Or

If you click No, the software will keep the current settings.

The NT Agent Configuration Step 3 of 3 window appears.

6. Click *Finish*. The following message appears:
No subsystem information was added to the subsystem list. Subsystem list will not be created or modified.
7. Click *OK*. The Welcome NT Agent Configuration Utility window appears.
8. Click Exit to quit the NT Agent Configuration Utility.
9. You must stop and restart the Agent for your changes to take effect. For instructions, see “Stopping and Starting the Agent,” page 4-14 in this chapter.

Adding a Subsystem Entry

You must tell the Agent the which subsystems to monitor.



CAUTION: Verify that you have the correct communication drive before you manually add a subsystem.

1. Open the HS Series Agent Configurator.
The Welcome NT Agent Configuration Utility window appears.
2. Click Continue. The NT Agent Configuration Step 1 of 3 window appears.
3. Click Next to continue. You do not need to enter your password. The NT Agent Configuration Step 2 of 3 window appears.
4. Click Next to continue. If the NT Agent Configuration Step 3 of 3 window appears, go to step 5.

The following message appears if you had previously added a subsystem:

4-12 MA6000 HSG60 Array Controller ACS Version 8.5 Solution Software for Windows NT and Windows 2000
Installation and Configuration Guide

A previous storage list is detected. Would you like to scan the subsystem to update the information?
(Subsystem names will revert to default settings.)

If you click Yes, the software will automatically add entries for the new subsystems and restore default subsystem information for the existing entries.

Or

If you click No, the software will keep the current settings.

The NT Agent Configuration Step 3 of 3 window appears.

5. Enter the name of the subsystem in the Selected Subsystem field. Enter the communication drive letter and monitoring interval in seconds. The monitoring interval is the rate at which the Agent queries the specified subsystem for status. A reasonable monitoring interval in seconds would be 120. You may also select Subsystem Enabled.

When you select Subsystem Enabled, the subsystem is included in the Agent's scans. When Subsystem Enabled is selected, the software configures the storage.ini file so that the subsystem selected in the dialog box is visible to the host. The storage.ini file holds information about the RAID devices connected to your server.

6. Click Add Subsystem. The name of the added subsystem appears in the Storage Subsystems field.
7. Click Finish. A message, warning you to restart your Agent, appears.
8. Click OK. You exit the NT Agent Configuration Utility.
9. You must stop and restart the Agent for your changes to take effect. For instructions, see "Stopping and Starting the Agent," page 4-14 in this chapter.

Modifying a Subsystem Entry

1. Open the HS Series Agent Configurator.
The Welcome NT Agent Configuration Utility window appears.
2. Click Continue. The NT Agent Configuration Step 1 of 3 window appears.
3. Click Next to continue. You do not need to enter your password. The NT Agent Configuration Step 2 of 3 window appears.
4. Click Next to continue. If the NT Agent Configuration Step 3 of 3 window appears, go to step 5.

The following message appears if you had previously added a subsystem:

A previous storage list is detected. Would you like to scan the subsystem to update the information?
(Subsystem names will revert to default settings.)

If you click Yes, the software will automatically add entries for the new subsystems and restore default subsystem information for the existing entries.

Or

If you click No, the software will keep the current settings.

The NT Agent Configuration Step 3 of 3 window appears.

5. Select the subsystem that you want to modify in the Subsystems field. You may change the communication drive letter, the monitoring interval, and the subsystem's name. The monitoring interval is the rate at which the Agent queries the specified subsystem for status. A reasonable monitoring interval in seconds would be 120.

You may also select Subsystem Enabled. When you select Subsystem Enabled, the subsystem is included in the Agent's scans. When Subsystem Enabled is selected, the subsystem is visible in the Client GUI.

When you select the subsystem, the following properties are shown: controller enter, devices, EMU enter, firmware version, serial number of controller 1, serial number of controller 2, and total number of devices.

6. Click Modify Subsystem to confirm your changes.
7. Click Finish. A message, warning you to restart your Agent, appears.
8. Click OK. You exit the NT Agent Configuration Utility.
9. You must stop and restart the Agent for your changes to take effect. For instructions, see "Stopping and Starting the Agent," page 4-14 in this chapter.

Deleting a Subsystem Entry

When you delete a subsystem entry, the Agent stops monitoring that subsystem.

1. Open the HS Series Agent Configurator.
The Welcome NT Agent Configuration Utility window appears.
2. Click Continue. The NT Agent Configuration Step 1 of 3 window appears.
3. Click Next to continue. You do not need to enter your password. The NT Agent Configuration Step 2 of 3 window appears.
4. Click Next to continue. If the NT Agent Configuration Step 3 of 3 window appears, go to step 5.

The following message appears if you had previously added a subsystem:

A previous storage list is detected. Would you like to scan the subsystem to update the information?
(Subsystem names will revert to default settings.)

4-14 *MA6000 HSG60 Array Controller ACS Version 8.5 Solution Software for Windows NT and Windows 2000 Installation and Configuration Guide*

If you click Yes, the software will automatically add entries for the new subsystems and restore default subsystem information for the existing entries.

Or

If you click No, the software will keep the current settings.

The NT Agent Configuration Step 3 of 3 window appears.

5. Select the subsystem that you want to delete in the Storage Subsystems field. Click Delete Subsystem.
6. Click *Finish*. A message, warning you to restart your Agent, appears.
7. Click *OK*. You exit the NT Agent Configuration Utility.
8. You must stop and restart the Agent for your changes to take effect. For instructions, see “Stopping and Starting the Agent,” page 4-14 in this chapter.

Stopping and Starting the Agent

The Agent runs as a service in the background. When you stop the Agent, you are telling the software to stop monitoring the tape controllers that were added to the Tape Controller Management page.

From Windows NT

1. Double-click *Services* in *Control Panel*.
2. Click the *Steam*.
3. Click *Stop* or *Start*, then click *Close*.
4. Refresh the open Storage Windows for the HSD, HSJ, HSG, and HSZ controllers.

From Windows 2000

1. Click *Start > Settings > Control Panel > Administrative Tools > Component Services*.
2. Under Console Root, select *Services (Local)*.
3. Under Services (Local), right-click *Steam*.
4. Click *Stop* or *Start*.
5. Refresh the open Storage Windows for the HSD, HSJ, HSG, and HSZ controllers.

Disabling and Enabling the Agent Startup at System Boot

The default is for the Agent to start at system boot; however, you may want to change this option. For example, if you need to check your system, you may not want the Agent to start at system boot.

NOTE: If you want to enable the Agent to start at system boot, change the startup type to automatic.

From Windows NT

1. Double-click *Services* in *Control Panel*.
2. Double-click *Steam*. The Service window appears.
3. Select *Manual* under Startup Type, and click *OK*.

From Windows 2000

1. Click *Start > Settings > Control Panel > Administrative Tools > Component Services*.
2. Under Console Root, select *Services (Local)*.
3. Under Services (Local), right-click *Steam*.
4. From the drop-down menu, select *Properties*. The Steam (Local Computer) window appears.
5. Under the General tab, select *Manual* from the Startup Type drop-down menu.
6. Click *OK*.

Removing the Agent

1. Do one of the following:
 - On Windows NT 4.0, double-click the Add/ Remove Programs icon in the Control Panel. The Add/Remove Program Properties window appears.
 - On Windows 2000, click *Start > Settings > Control Panel > Add/Remove Programs*. The Add/ Remove Program window appears.
2. Select *StorageWorks CC HS Series Agent* in the window.
3. Do one of the following:
 - On Windows NT 4.0, click *Add/Remove*.
 - On Windows 2000, click *Change/Remove*.
4. Follow the instructions on the screen. The HS Series Agent is removed.

Chapter 5

Configuration Procedures

This chapter describes a step-by-step procedure to configure a subsystem that uses Fibre Channel fabric topology. In fabric topology, the controller connects to its hosts through switches.

The following information is included in this chapter:

- “Establishing a Local Connection,” page 5–2
- “Setting Up a Single Controller,” page 5–3
- “Setting Up a Controller Pair,” page 5–9
- “Configuring Devices,” page 5–16
- “Configuring a Stripset,” page 5–16
- “Configuring a Mirrorset,” page 5–17
- “Configuring a RAIDset,” page 5–17
- “Configuring a Striped Mirrorset,” page 5–18
- “Configuring a Single-Disk (JBOD) Unit,” page 5–19
- “Configuring a Partition,” page 5–19
- “Assigning Unit Numbers and Unit Qualifiers,” page 5–20
- “Configuration Options,” page 5–23

You can use command line interpreter (CLI) or StorageWorks Command Console (SWCC) to configure your subsystem. This chapter uses CLI, which is the low-level interface to the controller. If you want to use SWCC for configuration, see the SWCC online help for assistance.

5-2 *MA6000 HSG60 Array Controller ACS Version 8.5 Solution Software for Windows NT and Windows 2000 Installation and Configuration Guide*

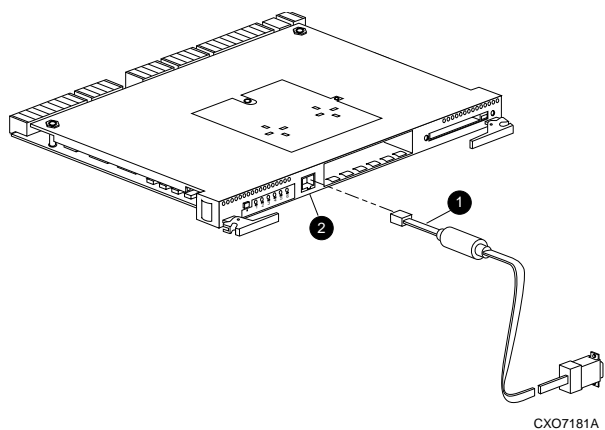
The configuration procedures assume that controllers and cache modules are installed in a fully functional and populated enclosure and that the PCMCIA cards are installed.

To install a controller or cache module and the PCMCIA card, see the *Compaq StorageWorks HSG60/HSG80 Array Controller ACS Version 8.5 Maintenance and Service Guide*.

Establishing a Local Connection

A local connection is required to configure the controller until a command console LUN (CCL) is established using the CLI. Communication with the controller can be through the CLI or SWCC.

The maintenance port, as shown in Figure 5-1, provides a way to connect a maintenance terminal. The maintenance terminal can be an EIA-423 compatible terminal or a computer running a terminal emulator program. The maintenance port accepts a standard RS-232 jack. The maintenance port cable shown in Figure 5-1 has a 9-pin connector molded onto the end for a PC connection. If you need a terminal connection or a 25-pin connection, you can order optional cabling.



- ① Maintenance Port Cable
- ② Maintenance Port

Figure 5-1. Maintenance port connection



CAUTION: The maintenance port generates, uses, and can radiate radio-frequency energy through its cables. This energy may interfere with radio and television reception. Disconnect all maintenance port cables when not communicating with the controller through the local connection.

Setting Up a Single Controller

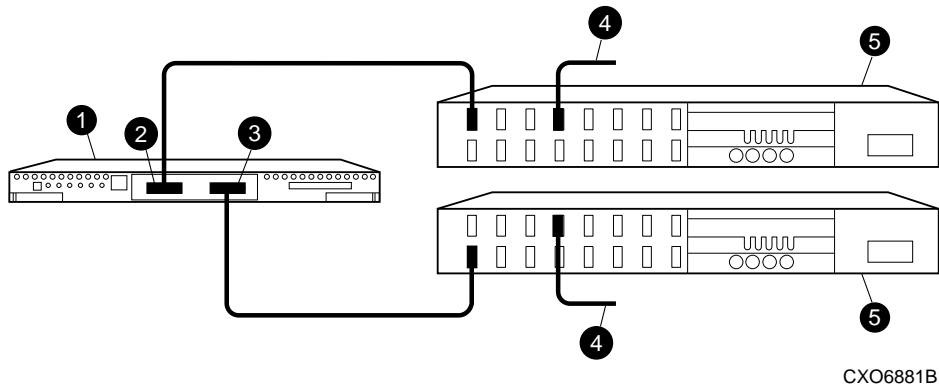
Power On and Establish Communication

1. Connect the computer or terminal to the controller as shown in Figure 5-1. The connection to the computer is through the COMM1 or COMM2 ports.
2. Turn on the computer or terminal.
3. Apply power to the storage subsystem.
4. Configure the computer or terminal as follows:
 - 9600 baud
 - 8 data bits
 - 1 stop bit
 - no parity
5. Press **Enter**. A copyright notice and the CLI prompt appear, indicating that you established a local connection with the controller.

Cabling a Single controller

The cabling for a single controller is shown in Figure 5-2.

NOTE: It is a good idea to plug only the controller cables into the switch. The host cables are plugged into the switch as part of the configuration procedure ("Configuring a Single Controller using CLI," page 5-5).



- ❶ controller
- ❷ host port 1
- ❸ host port 2
- ❹ cable from the switch to the host Fibre Channel adapter
- ❺ FC switch

Figure 5-2. Single controller cabling

Configuring a Single Controller using CLI

1. Enter a SHOW THIS command to verify the node ID:

```
SHOW THIS
```

See “Worldwide Names (Node IDs and Port IDs),” page 1–28, for the location of the sticker.

The node ID is located in the third line of the SHOW THIS result:

```
HSG> show this
Controller:
  HSG60 ZG80900583 Software V8.5L-0, Hardware E01
  NODE_ID          = 5000-1FE1-0001-3F00
  ALLOCATION_CLASS = 0
```

If the node ID is present, go to step 5.

If the node ID is all zeroes, enter the node ID and checksum, which are located on a sticker on the controller enclosure. Use the following syntax to enter the node ID:

```
SET THIS NODE_ID=NNNN-NNNN-NNNN-NNNN nn
```

NNNN-NNNN-NNNN-NNNN is the node ID and nn is the checksum.

2. If working with anything but a factory-new controller, enter the following command to take it out of any failover mode that may have been previously configured:

```
SET NOFAILOVER
```

If the controller did have a failover mode previously set, the CLI may report an error. Clear the error with this command:

```
CLEAR_ERRORS CLI
```

3. Set the version to SCSI-3 using the following command:

```
SET THIS SCSI_VERSION=SCSI-3
```

Setting the SCSI version to SCSI-3 does not make the controller fully compliant with the SCSI-3 standards.

4. Assign an identifier for the communication LUN (also called the command console LUN, or CCL). The CCL must have a unique identifier that is a decimal number in the range 1 to 32767, and which is different from the identifiers of all units. Use the following syntax:

```
SET THIS IDENTIFIER=N
```

Identifier must be unique among all the controllers attached to the fabric within the specified allocation class.

5. Set the topology for the controller. If both ports are used, set topology for both ports:

```
SET THIS PORT_1_TOPOLOGY=FABRIC
```

```
SET THIS PORT_2_TOPOLOGY=FABRIC
```

If the controller is not factory-new, it may have another topology set, in which case these commands will result in an error message. If this happens, take both ports offline first, then reset the topology:

```
SET THIS PORT_1_TOPOLOGY=OFFLINE
```

```
SET THIS PORT_2_TOPOLOGY=OFFLINE
```

```
SET THIS PORT_1_TOPOLOGY=FABRIC
```

```
SET THIS PORT_2_TOPOLOGY=FABRIC
```

6. Set Allocation class to a decimal number between 0 and 999. The number must be unique across the fabric. Set allocation class using the following syntax:

```
SET THIS ALLOCATION_CLASS=N
```

7. Restart the controller, using the following command:

```
RESTART THIS
```

It takes about a minute for the CLI prompt to come back after a RESTART command.

8. Set the time on the controller using the following syntax:

```
SET THIS TIME=DD-MMM-YYYY:HH:MM:SS
```

9. Use the FRUTIL utility to set up the battery discharge timer. Enter the following command to start FRUTIL:

```
RUN FRUTIL
```

When FRUTIL asks if you intend to replace the battery, answer "Y":

```
Do you intend to replace this controller's cache battery? Y/N [N] Y
```

FRUTIL will print out a procedure, but won't give you a prompt. Ignore the procedure and just press enter.

10. Set up any additional optional controller settings, such as changing the CLI prompt. See the SET *this_controller/other controller* command in the *Compaq StorageWorks HSG60/HSG80 Array Controller ACS Version 8.5 CLI Reference Guide* for the format of optional settings.

11. Verify that all commands have taken effect. Use the following command:

```
SHOW THIS
```


Verify node ID, allocation class, SCSI version, failover mode, identifier, and port topology. Following is a sample result of a SHOW THIS command, with the areas of interest in bold.

```

Controller:
  HSG60 (C) DEC ZG09030200 Software V85L, Hardware 0000
  NODE_ID = 5000-1FE1-0000-0000
  ALLOCATION_CLASS = 1
  SCSI_VERSION = SCSI-3
  Not configured for dual-redundancy
  Device Port SCSI address 7
  Time: 10-Mar-1999:12:30:34
  Command Console LUN is lun 0 (IDENTIFIER = 88)

Host PORT_1:
  Reported PORT_ID = 5000-1FE1-0000-0001
  PORT_1_TOPOLOGY = FABRIC (fabric up)
  Address = 210313

Host PORT_2:
  Reported PORT_ID = 5000-1FE1-0000-0002
  PORT_2_TOPOLOGY = FABRIC (fabric up)
  Address = 210513
  NOREMOTE_COPY
  . . . . .
  
```

12. Turn on the switches, if not done previously.

If you want to communicate with the FC switches through Telnet, set an IP address for each switch. See the manuals that came with the switches for details.

13. Plug in the Fibre Channel cable from the first adapter in the first host into the switch. Enter a *SHOW connections* command to view the connection table:

```
SHOW CONNECTIONS
```

The first connection will have one or more entries in the connection table. Each connection will have a default name of the form !NEWCONxx, where xx is a number representing the order in which the connection was added to the connection table.

Connection Name	Operating System	Controller	Port	Address	Status	Unit Offset
!NEWCON00	WINNT	OTHER	1	200613	OL other	0
HOST_ID=XXXX-XXXX-XXXX-XXXX			ADAPTER_ID=XXXX-XXXX-XXXX-XXXX			

For an explanation about why there may be multiple connections shown for one adapter, see page 1-13.

14. Rename the connection(s) to something meaningful to the system and easy to remember. For example, to assign the name ANGEL1A1 to connection !NEWCON01, enter:

```
RENAME !NEWCON01 ANGEL1A1
```

For a recommended naming convention, see “Naming Connections,” page 1-12.

15. Specify the operating system for the connection:

```
SET ANGEL1A1 OPERATING_SYSTEM=WINNT
```

16. Verify the changes:

```
SHOW CONNECTIONS
```

Mark or tag all Fibre Channel cables at both ends for ease of maintenance.

17. Repeat step 14, 15, and 16 for each of that adapter’s host connections. (Or delete the unused connections from the table.
18. For each host adapter, repeat steps 13 through 17.

Verifying Installation

To verify installation for your Windows NT and Windows 2000 host, enter the following command:

```
SHOW DEVICES
```

Setting Up a Controller Pair

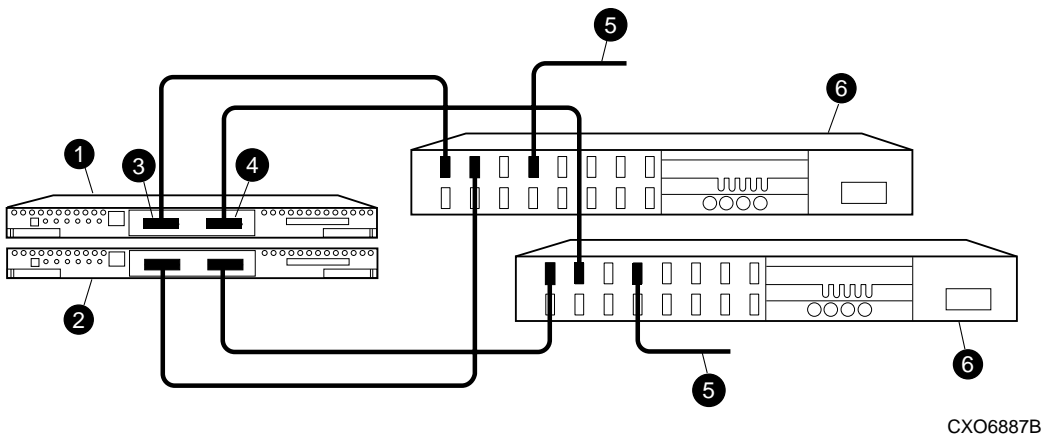
Power On and Establish Communication

1. Connect the computer or terminal to the controller as shown in Figure 5-1. The connection to the computer is through the COMM1 or COMM2 ports.
2. Turn on the computer or terminal.
3. Apply power to the storage subsystem.
4. Configure the computer or terminal as follows:
 - 9600 baud
 - 8 data bits
 - 1 stop bit
 - no parity
5. Press **Enter**. A copyright notice and the CLI prompt appear, indicating that you established a local connection with the controller.

Cabling a Controller Pair

The cabling for a controller pair is shown in Figure 5-3.

NOTE: It is a good idea to plug only the controller cables into the switch. The host cables are plugged into the switch as part of the configuration procedure (“Configuring a Controller Pair using CLI,” page 5-11).



- ❶ controller A
- ❷ controller B
- ❸ host port 1
- ❹ host port 2
- ❺ cable from the switch to the host FC adapter
- ❻ FC switch

Figure 5-3. Controller pair failover cabling

Configuring a Controller Pair using CLI

1. Enter a SHOW THIS command to verify the node ID:

```
SHOW THIS
```

The node ID is located in the third line of the SHOW THIS result:

```
HSG1402> show this
Controller:
  HSG60 ZG80900583 Software V8.5L-0, Hardware E01
  NODE_ID          = 5000-1FE1-0001-3F00
  ALLOCATION_CLASS = 0
```

If the node ID is present, go to step 5.

If the node ID is all zeroes, enter the node ID and checksum, which are located on a sticker on the controller enclosure. Use the following syntax to enter the node ID:

```
SET THIS NODE_ID=NNNN-NNNN-NNNN-NNNN nn
```

NNNN-NNNN-NNNN-NNNN is the node ID and nn is the checksum.

See “Worldwide Names (Node IDs and Port IDs),” page 1–28 for the location of the sticker.

2. If working with anything but factory-new controllers, enter the following command to remove any failover mode that may have been previously configured:

```
SET NOFAILOVER
```

3. Enter the following command to stop the CLI from reporting a misconfiguration error resulting from having no failover mode specified:

```
CLEAR CLI
```

4. Put the controller pair into multiple-bus failover mode, using the following command:

```
SET MULTIBUS COPY=THIS
```

The copy qualifier specifies where there is a good copy of the array configuration. Initially, the copy qualifier is meaningless because there is no array configuration yet, but it is part of the command syntax and must be specified.

NOTE: If there is configuration information that you want to keep, which will probably be the case if the controllers are not factory-new, set COPY to the controller that contains the good configuration information

When the command is entered, the “other” controller (the one to which the serial line is not attached) will restart. The restart may set off the audible alarm of the EMU. To silence the alarm, press once and release the button on the EMU. The alarm will stop, but the LED will remain on until the controllers bind into transparent failover mode.

5-12 *MA6000 HSG60 Array Controller ACS Version 8.5 Solution Software for Windows NT and Windows 2000 Installation and Configuration Guide*

The binding process takes about 15 seconds. The CLI will print out a last event report from the “other” controller. This just indicates that the “other” controller restarted. The CLI will continue reporting this condition until cleared with the following command:

```
CLEAR CLI
```

5. Set the version to SCSI-3 using the following command:

```
SET THIS SCSI_VERSION=SCSI-3
```

Setting the SCSI version to SCSI-3 does not make the controller fully compliant with the SCSI-3 standards.

6. Assign an identifier for the communication LUN (also called the command console LUN, or CCL). The CCL must have a unique identifier that is a decimal number in the range 1 to 32767, and which is different from the identifiers of all units. Use the following syntax:

```
SET THIS IDENTIFIER=N
```

Identifier must be unique among all the controllers attached to the fabric within the specified allocation class.

7. Set the topology for both ports of both controllers:

```
SET THIS PORT_1_TOPOLOGY=FABRIC
```

```
SET THIS PORT_2_TOPOLOGY=FABRIC
```

```
SET OTHER PORT_1_TOPOLOGY=FABRIC
```

```
SET OTHER PORT_2_TOPOLOGY=FABRIC
```

NOTE: If the controllers are not factory-new, they may have another topology set, in which case these commands will result in an error message. If this happens, take all ports offline first, then reset the topology:

```
SET THIS PORT_1_TOPOLOGY=OFFLINE
```

```
SET THIS PORT_2_TOPOLOGY=OFFLINE
```

```
SET OTHER PORT_1_TOPOLOGY=OFFLINE
```

```
SET OTHER PORT_2_TOPOLOGY=OFFLINE
```

```
SET THIS PORT_1_TOPOLOGY=FABRIC
```

```
SET THIS PORT_2_TOPOLOGY=FABRIC
```

```
SET OTHER PORT_1_TOPOLOGY=FABRIC
```

```
SET OTHER PORT_2_TOPOLOGY=FABRIC
```

8. Set allocation class to a decimal number between 0 and 999. The number must be unique across the fabric. Set allocation class using the following syntax:

```
SET THIS ALLOCATION_CLASS=N
```

9. Restart the controllers:

```
RESTART OTHER
```

```
RESTART THIS
```

It takes about a minute for the CLI prompt to come back after a RESTART command.

When the “other” controller restarts the EMU alarm will sound, but the restart of “this” controller turns the alarm off.

10. Set the time on “this” controller using the following syntax:

```
SET THIS TIME=DD-MMM-YYYY:HH:MM:SS
```

11. Use the FRUTIL utility to set up the battery discharge timer in “this” controller. Enter the following command to start FRUTIL:

```
RUN FRUTIL
```

When FRUTIL asks if you intend to replace the battery, answer “Y”:

```
Do you intend to replace this controller's cache battery? Y/N [N] Y
```

FRUTIL will print out a procedure, but won't give you a prompt. Ignore the procedure and just press return.

12. Move the serial cable to the lower controller, and repeat step 10.

13. Set up any additional optional controller settings, such as changing the CLI prompt.

See the SET *this_controller/other_controller* command in the *Compaq StorageWorks HSG60/HSG80 Array Controller ACS Version 8.5 CLI Reference Guide* for the format of optional settings.

14. Verify that all commands have taken effect. Use the following commands:

```
SHOW THIS
```

```
SHOW OTHER
```

5-14 MA6000 HSG60 Array Controller ACS Version 8.5 Solution Software for Windows NT and Windows 2000
Installation and Configuration Guide

Verify node ID, allocation class, SCSI version, failover mode, identifier, and port topology. Following is a sample result of a SHOW THIS command, with areas of interest in bolded text.

```
Controller:
  HSG60   (C) DEC ZG09030200 Software V85L, Hardware 0000
  NODE_ID           = 5000-1FE1-0000-0000
  ALLOCATION_CLASS = 1
  SCSI_VERSION     = SCSI-3
  Configured for MULTIBUS_FAILOVER with ZG80200284
  In dual-redundant configuration
  Device Port SCSI address 6
  Time: 10-Mar-1999:12:30:34
  Command Console LUN is lun 0 (IDENTIFIER = 88)

Host PORT_1:
  Reported PORT_ID = 5000-1FE1-0000-0001
  PORT_1_TOPOLOGY = FABRIC (fabric up)
  Address          = 210313

Host PORT_2:
  Reported PORT_ID = 5000-1FE1-0000-0002
  PORT_2_TOPOLOGY = FABRIC (fabric up)
  Address          = 210513
  NOREMOTE_COPY
  .....
```

15. Turn on the switches, if not done previously.

NOTE: If you want to communicate with the switches through Telnet, set an IP address for each switch. See the manuals that came with the switches for details.

16. Plug in the Fibre Channel cable from the first adapter on the first host into the switch. Enter a *SHOW connections* command to view the connection table:

```
SHOW CONNECTIONS
```

The first connection will have one or more entries in the connection table. Each connection will have a default name of the form !NEWCONxx, where xx is a number representing the order in which the connection was added to the connection table.

For a description of why plugging in one adapter can result in multiple connections, see “Numbers of Connections,” page 1-13.

17. Rename the connection(s) to something meaningful to the system and easy to remember. For example, to assign the name ANGEL1A1 to connection !NEWCON01, enter:

```
RENAME !NEWCON01 ANGEL1A1
```

Compaq recommends using a naming convention, see “Naming Connections,” page 1-12.

18. Specify the operating system for the connection:

```
SET ANGEL1A1 OPERATING_SYSTEM=WINNT
```

19. Verify the changes:

```
SHOW CONNECTIONS
```

Mark or tag all Fibre Channel cables at both ends for ease of maintenance.

20. Repeat steps 17, 18, and 19 for each of that adapter’s host connections. (Or delete the unwanted connections from the table.)
21. For each host adapter, repeat steps 16 through 20.

Verifying Installation

To verify installation for your Windows NT and Windows 2000 host, enter the following command:

```
SHOW DEVICES
```

Configuring Devices

The disks on the device bus of the HSG60 can be configured manually or with the CONFIG utility. The CONFIG utility is easier. Invoke CONFIG with the following command:

```
RUN CONFIG
```

CONFIG takes about 2 minutes to discover and map the configuration of a completely populated storage system.

Configuring a Stripese

1. Create the stripeset by adding its name to the controller's list of storagesets and specifying the disk drives it contains. Use the following syntax:

```
ADD STRIPESET STRIPESET-NAME DISKNNNNN DISKNNNNN .....
```

2. Initialize the stripeset, specifying any desired switches:

```
INITIALIZE STRIPESET-NAME SWITCHES
```

See "Initialization Switches" on page 2-24 for a description of the initialization switches.

3. Verify the stripeset configuration:

```
SHOW STRIPESET-NAME
```

4. Assign the stripeset a unit number to make it accessible by the hosts. See "Assigning Unit Numbers and Unit Qualifiers" on page 5-20.

Example:

The commands to create Stripe1, a stripeset consisting of three disks (DISK10000, DISK20000, and DISK10100) and having a chunksize of 128:

```
ADD STRIPESET STRIPE1 DISK10000 DISK20000 DISK10100
```

```
INITIALIZE STRIPE1 CHUNKSIZE=128
```

```
SHOW STRIPE1
```

Configuring a Mirrorset

1. Create the mirrorset by adding its name to the controller's list of storagesets and specifying the disk drives it contains. Optionally, you can append mirrorset switch values:

```
ADD MIRRORSET MIRRORSET-NAME DISKNNNNN DISKNNNNN SWITCHES
```

NOTE: See the ADD MIRRORSET command in the *Compaq StorageWorks HSG60/HSG80 Array Controller ACS Version 8.5 CLI Reference Guide* for a description of the mirrorset switches.

2. Initialize the mirrorset, specifying any desired switches:

```
INITIALIZE MIRRORSET-NAME SWITCHES
```

See “Initialization Switches” on page 2–24 for a description of the initialization switches.

3. Verify the mirrorset configuration:

```
SHOW MIRRORSET-NAME
```

4. Assign the mirrorset a unit number to make it accessible by the hosts. See “Assigning Unit Numbers and Unit Qualifiers” on page 5–20.

Example:

The commands to create `Mirr1`, a mirrorset with two members (`DISK10000` and `DISK20000`), and to initialize it using default switch settings:

```
ADD MIRRORSET MIRR1 DISK10000 DISK20000
INITIALIZE MIRR1
SHOW MIRR1
```

Configuring a RAIDset

1. Create the RAIDset by adding its name to the controller's list of storagesets and specifying the disk drives it contains. Optionally, you can specify RAIDset switch values:

```
ADD RAIDSET RAIDSET-NAME DISKNNNNN DISKNNNNN DISKNNNNN SWITCHES
```

NOTE: See the ADD RAIDSET command in the *Compaq StorageWorks HSG60/HSG80 Array Controller ACS Version 8.5 CLI Reference Guide* for a description of the RAIDset switches.

2. Initialize the RAIDset, specifying any desired switches:

```
INITIALIZE RAIDSET-NAME SWITCH
```

NOTE: Compaq recommends that you allow initial reconstruct to complete before allowing I/O to the RAIDset. Not doing so may generate forced errors at the host level. To determine whether initial reconstruct has completed, enter SHOW RAIDSET FULL.

See “Initialization Switches” on page 2–24 for a description of the initialization switches.

3. Verify the RAIDset configuration:
SHOW RAIDSET-NAME
4. Assign the RAIDset a unit number to make it accessible by the hosts. See “Assigning Unit Numbers and Unit Qualifiers” on page 5–20.

Example:

The commands to create RAID1, a RAIDset with three members (DISK10000 DISK20000 and DISK10100) and to initialize it with default values:

```
ADD RAIDSET RAID1 DISK10000 DISK20000 DISK10100
INITIALIZE RAID1
SHOW RAID1
```

Configuring a Striped Mirrorset

1. Create, but do not initialize, at least two mirrorsets.
See “Configuring a Mirrorset” on page 5–17.
2. Create a stripeset and specify the mirrorsets it contains:
ADD STRIPESET STRIPESET-NAME MIRRORSET-1 MIRRORSET-2...MIRRORSET-N
3. Initialize the striped mirrorset, specifying any desired switches:
INITIALIZE STRIPESET-NAME SWITCH
See “Initialization Switches” on page 2–24 for a description of the initialization switches.
4. Verify the striped mirrorset configuration:
SHOW STRIPESET-NAME
5. Assign the stripeset mirrorset a unit number to make it accessible by the hosts. See “Assigning Unit Numbers and Unit Qualifiers” on page 5–20.

Example:

The commands to create Stripe1, a striped mirrorset that comprises Mirr1, Mirr2, and Mirr3, each of which is a two-member mirrorset:

```
ADD MIRRORSET MIRR1 DISK10000 DISK20000
ADD MIRRORSET MIRR2 DISK20100 DISK10100
ADD MIRRORSET MIRR3 DISK10200 DISK20200
ADD STRIPESET STRIPE1 MIRR1 MIRR2 MIRR3
INITIALIZE STRIPE1
SHOW STRIPE1
```

Configuring a Single-Disk (JBOD) Unit

1. Initialize the disk drive, specifying any desired switches:

```
INITIALIZE DISK-NAME SWITCHES
```

See “Initialization Switches” on page 2–24 for a description of the initialization switches.

2. Verify the configuration using the following command:

```
SHOW DISK-NAME
```

3. Assign the disk a unit number to make it accessible by the hosts. See “Assigning Unit Numbers and Unit Qualifiers” on page 5–20.

Configuring a Partition

1. Initialize the storageset or disk drive, specifying any desired switches:

```
INITIALIZE STORAGESET-NAME SWITCHES
```

or

```
INITIALIZE DISK-NAME SWITCHES
```

See “Initialization Switches” on page 2–24 for a description of the initialization switches.

2. Create each partition in the storageset or disk drive by indicating the partition's size. Also specify any desired switch settings:

```
CREATE_PARTITION STORAGESET-NAME SIZE=N SWITCHES
```

or

```
CREATE_PARTITION DISK-NAME SIZE=N SWITCHES
```

5-20 *MA6000 HSG60 Array Controller ACS Version 8.5 Solution Software for Windows NT and Windows 2000 Installation and Configuration Guide*

where N is the percentage of the disk drive or storage set that will be assigned to the partition. Enter SIZE=LARGEST to let the controller assign the largest free space available to the partition.

NOTE: See the CREATE_PARTITION command in the *Compaq StorageWorks HSG60/HSG80 Array Controller ACS Version 8.5 CLI Reference Guide* for a description of the partition switches.

3. Verify the partitions:

```
SHOW STORAGESET-NAME
```

or

```
SHOW DISK-NAME
```

The partition number appears in the first column, followed by the size and starting block of each partition.

4. Assign the partition a unit number to make it accessible by the hosts. See “Assigning Unit Numbers and Unit Qualifiers” on page 5-20.

Example:

The commands to create RAID1, a three-member RAIDset, then partition it into two storage units:

```
ADD RAIDSET RAID1 DISK10000 DISK20000 DISK10100
INITIALIZE RAID1
CREATE_PARTITION RAID1 SIZE=25
CREATE_PARTITION RAID1 SIZE=LARGEST
SHOW RAID1
```

Assigning Unit Numbers and Unit Qualifiers

Each storage set, partition, or single (JBOD) disk must be assigned a unit number for the host to access. As the units are added, their properties can be specified through the use of command qualifiers, which are discussed in detail under the ADD UNIT command in the *Compaq StorageWorks HSG60/HSG80 Array Controller ACS Version 8.5 CLI Reference Guide*.

Each unit can be reserved for the exclusive use of a host or group of hosts. See “Restricting Host Access in Transparent Failover Mode,” page 1-21 and “Restricting Host Access in Multiple-Bus Failover Mode,” page 1-24.

Assigning a Unit Number to a StorageSet

To assign a unit number to a storageSet, use the following syntax:

```
ADD UNIT UNIT-NUMBER STORAGESET-NAME
```

Example:

To assign unit D102 to RAIDset R1 use the following command:

```
ADD UNIT D102 R1
```

Assigning a Unit Number to a Single (JBOD) Disk

To assign a unit number to a single (JBOD) disk, use the following syntax:

```
ADD UNIT UNIT-NUMBER DISK-NAME
```

Example:

To assign unit D4 to disk20300, use the following command:

```
ADD UNIT D4 DISK20300
```

Assigning a Unit Number to a Partition

To assign a unit number to a partition, use the following syntax:

```
ADD UNIT UNIT-NUMBER STORAGESET-NAME PARTITION=PARTITION-NUMBER
```

Example:

To assign unit D100 to partition 3 of mirrorset mirr1, use the following command:

```
ADD UNIT D100 MIRR1 PARTITION=3
```

Assigning Unit Identifiers

One unique step is required when configuring storage units for Windows NT and Windows 2000: specifying an identifier (or LUN ID alias) for each unit. A unique identifier is required for each unit (virtual disk). This identifier must be unique in the cluster.

This section gives two examples of setting an identifier for a previously created unit: one using CLI and one using SWCC. The CLI uses older and less industry standard terms “identifier” and “unit”, while SWCC uses the terms “LUN ID alias” and “virtual disk”.

Identifier = LUN ID alias

Unit = virtual disk

Using CLI to Specify Identifier for a Unit

The command syntax for setting the identifier for a previously created unit (virtual disk) is as follows:

```
SET UNIT_NUMBER IDENTIFIER=NN
```

It is strongly suggested that, for simplicity, the identifier match the unit number. For example, to set an identifier of 97 for unit D97, use the following command:

```
SET D97 IDENTIFIER=97
```

USING SWCC TO SPECIFY LUN ID ALIAS FOR A VIRTUAL DISK

Setting a LUN ID alias for a virtual disk is the same as setting a unit identifier. To set LUN ID alias for a previously created virtual disk, navigate to the storage window.

This brings up the properties window for that virtual disk. Click on the Settings Tab to see changeable properties. Click on the “Enable LUN ID Alias” button, and enter the LUN ID alias (identifier) in the following field. It is strongly suggested that, for simplicity, the LUN ID alias match the virtual disk number.

Preferring Units

In multiple-bus failover mode, individual units can be preferred to a specific controller. To prefer, for example, unit D102 to “this controller,” use the following command:

```
SET D102 PREFERRED_PATH=THIS
```

RESTART commands must be issued to both controllers for this command to take effect:

```
RESTART THIS_CONTROLLER  
RESTART OTHER_CONTROLLER
```

NOTE: The controllers need to restart together for the preferred settings to take effect. The RESTART *other_controller* command must be entered immediately after the RESTART *this_controller* command.

Configuration Options

Changing the CLI Prompt

To change the CLI prompt, enter a 1- to 16- character string as the new prompt, as follows:

```
SET THIS_CONTROLLER PROMPT = "NEW PROMPT"
```

If you are configuring dual-redundant controllers, also change the CLI prompt on the “other controller.” Use the following command:

```
SET OTHER_CONTROLLER PROMPT = "NEW PROMPT"
```

It is suggested that the prompts reflect something about the controllers. For example, if the subsystem is the third one in a lab, give the top controller a prompt like LAB3A and the bottom controller, LAB3B.

Mirroring cache

To specify mirrored cache:

```
SET THIS MIRRORED_CACHE
```

Adding Disk Drives

If you add new disk drives to the subsystem, the disk drives must be added to the controllers' list of known devices:

- To add one new disk drive to the list of known devices, enter the following command:

```
ADD DISK DISKNNN PTL-LOCATION
```

- To add several new disk drives to the list of known devices, enter the following command:

```
RUN CONFIG
```

Adding a Disk Drive to the Spareset

The spareset is a collection of spare disk drives that are available to the controller should it need to replace a failed member of a RAIDset or mirrorset.

NOTE: This procedure assumes that the disks that you are adding to the spareset have already been added to the controller's list of known devices.

To add the disk drive to the controller's spareset list:

```
ADD SPARESET DISKNNNNN
```

Repeat this step for each disk drive you want to add to the spareset:

Example:

The following example shows the commands for adding DISK11300 and DISK21300 to the spareset.

```
ADD SPARESET DISK11300
```

```
ADD SPARESET DISK21300
```

Removing a Disk Drive from the Spareset

You can delete disks in the spareset if you need to use them elsewhere in your subsystem.

1. Show the contents of the spareset using the following command:

```
SHOW SPARESET
```

2. Delete the desired disk drive using the following command:

```
DELETE SPARESET DISKNNNNN
```

3. Verify the contents of the spareset using the following command:

```
SHOW SPARESET
```

Enabling Autospare

With AUTOSPARE enabled on the failedset, any new disk drive that is inserted into the PTL location of a failed disk drive is automatically initialized and placed into the spareset. If initialization fails, the disk drive remains in the failedset until you manually delete it from the failedset.

To enable autospare use the following command:

```
SET FAILEDSET AUTOSPARE
```

To disable autospare use the following command:

```
SET FAILEDSET NOAUTOSPARE
```

During initialization, AUTOSPARE checks to see if the new disk drive contains metadata. Metadata is information the controller writes on the disk drive when the disk drive is configured into a storageset. Therefore, the presence of metadata indicates the disk drive belongs to, or has been used by, a storageset. If the disk drive contains metadata, initialization stops. (A new disk drive will not contain metadata but a repaired or re-used disk drive might. To erase metadata from a disk drive, add it to the controller's list of devices, then set it to be transportable and initialize it.)

Deleting a StorageSet

NOTE: If the storageSet you are deleting is partitioned, you must delete each partitioned unit before you can delete the storageSet.

1. Show the storageSet's configuration:

```
SHOW STORAGESET-NAME
```

2. Delete the unit number that uses the storageSet. Use the following command:

```
DELETE UNIT-NUMBER
```

3. Delete the storageSet. Use the following command:

```
DELETE STORAGESET-NAME
```

4. Verify the configuration:

```
SHOW STORAGESET-NAME
```

Changing Switches for a StorageSet or Device

You can optimize a storageSet or device at any time by changing the switches that are associated with it. Remember to update the storageSet's profile when you change its switches.

Displaying the Current Switches

To display the current switches for a storageSet or single-disk unit, enter a **SHOW** command, specifying the **FULL** switch:

```
SHOW STORAGESET-NAME
```

or

```
SHOW DEVICE-NAME FULL
```

Changing RAIDset and Mirrorset Switches

Use the **SET** *storageSet-name* command to change the RAIDset and Mirrorset switches associated with an existing storageSet. For example, the following command changes the replacement policy for RAIDset RAID1 to **BEST_FIT**:

```
SET RAID1 POLICY=BEST_FIT
```

Changing Device Switches

Use the SET *device-name* command to change the device switches. For example, to request a data transfer rate of 20 MHz for DISK10000:

```
SET DISK10000 TRANSFER_RATE_REQUESTED=20MHZ
```

Changing Initialize Switches

The initialization switches cannot be changed without destroying the data on the storageset or device. These switches are integral to the formatting and can only be changed by reinitializing the storageset. Initializing a storageset is similar to formatting a disk drive; all data is destroyed during this procedure.

Changing Unit Switches

Use the SET *unit-name* command to change the characteristics of a unit. For example, the following command enables write protection for unit D100:

```
SET D100 WRITE_PROTECT
```


Chapter 6

Verifying Storage Configuration from the Host

This chapter briefly describes how to verify that multiple paths exist to virtual disk units.

After you configure units (virtual disks) through either the CLI or SWCC, reboot the host to enable it to access the new storage.

After the host reboots, verify that the disk is correctly presented to the host. The command to use consists of the following syntax:

```
SHOW DEVICE/FULL <NAME OF VIRTUAL DISK>
```

Use the following command to verify the configuration:

```
SHOW DEVICE/FULL $1$DGA1
```

The disk information returned is as follows:

```
Disk $1$DGA1: (NOCORD), device type DEC HSG60, is online, file-oriented
device, shareable, device has multiple I/O paths, served to cluster via
MSCP Server, error logging is enabled.
```

```
Error count 0      Operations completed 0
Owner process ""   Owner UIC      [SYSTEM]
Owner process ID  00000000   Dev Prot S:RWPL,O:RWPL,G:R,W
Reference count 0   Default buffer size 512
Allocation class   1
I/O paths to device 2
```

```
Path PGA0.5000-1FE1-0000-0173 (NOCORD), primary path, current path.
```

```
Error count 0      Operations completed 0
```

```
Path PGB0.5000-1FE1-0000-0171 (NOCORD).
```

```
Error count 0      Operations completed 0
```


Chapter 7

Configuration Example Using CLI

This chapter presents an example of configuring a particular storage subsystem using the CLI.

The CLI configuration example shown assumes:

- a normal, new controller pair, meaning:
 - NODE ID set
 - no previous failover mode
 - no previous topology set
- Full array with no expansion cabinet
- PCMCIA cards installed in both controllers

An example storage subsystem is shown in Figure 7-1. The example system contains three non-clustered WINNT hosts, as shown in Figure 7-2. From the hosts' point of view, each host will have four paths to its own virtual disks. The resulting virtual system from the hosts' point of view is shown in Figure 7-3.

The name of the example storage subsystem is "BTVS." The top controller will be named "BTVS TOP" and the bottom controller will be named "BTVS BOTTOM." In the example, the CLI prompts will be changed to the controllers' names. The only other option chosen for the controller pair is mirrored cache.

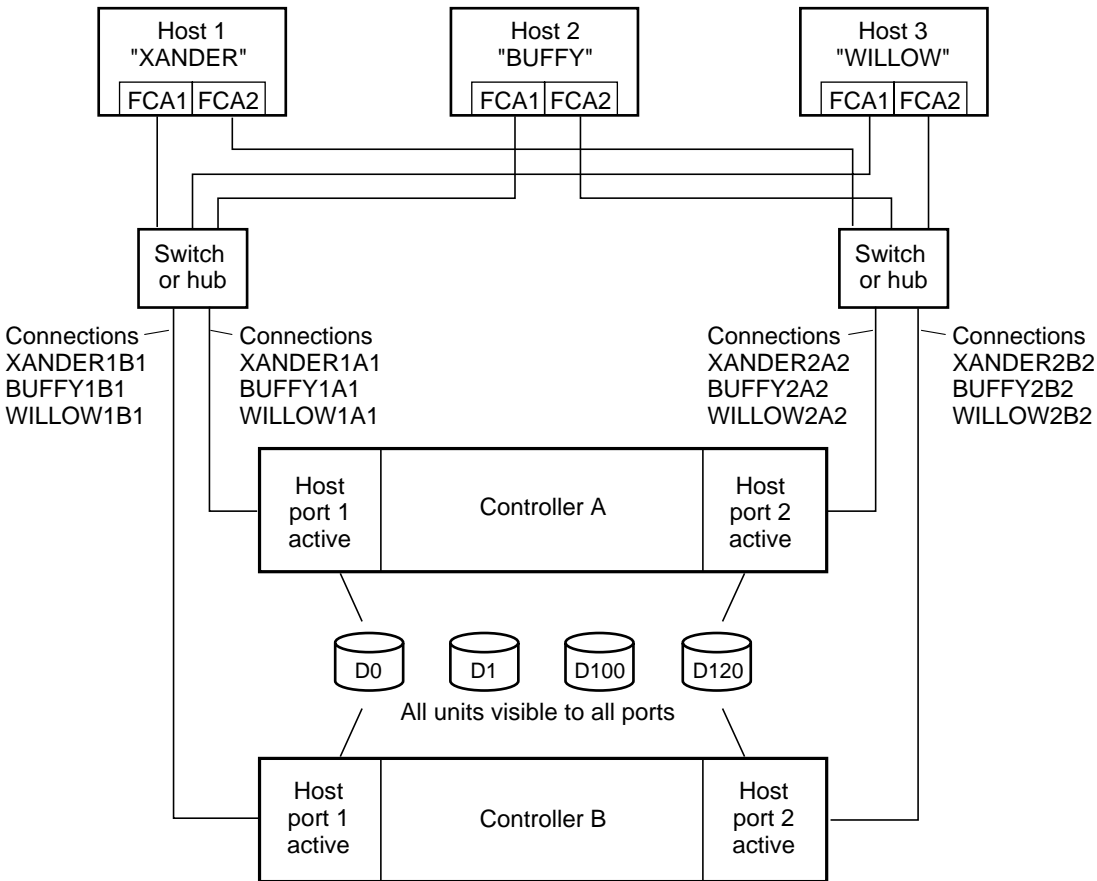
The example uses these conventions:

- Screen messages from CLI or utilities are boxed.
- Instructions to users are in italics.

Model 4214R Disk Enclosure Shelf 1 (single-bus)														
Bay	1	2	3	4	5	6	7	8	9	10	11	12	13	14
SCSI ID	00	01	02	03	04	05	08	09	10	11	12	13	14	15
DISK ID	D0 R1 DISK10000	D0 R1 DISK10100	D0 R1 DISK10200	D1 S1 M1 DISK10300	D1 S1 M1 DISK10400	D1 S1 M2 DISK10500	D1 S1 M2 DISK10800	D100 M3 DISK10900	D100 M3 DISK11000	D120 S2 DISK11100	D120 S2 DIS112000	Spare DISK11300	not supported	not supported

Model 4214R Disk Enclosure Shelf 2 (single-bus)														
Bay	1	2	3	4	5	6	7	8	9	10	11	12	13	14
SCSI ID	00	01	02	03	04	05	08	09	10	11	12	13	14	15
DISK ID	D0 R1 DISK20000	D0 R1 DISK20100	D0 R1 DISK20200	D1 S1 M1 DISK20300	D1 S1 M1 DISK20400	D1 S1 M2 DISK20500	D1 S1 M2 DISK20800	D100 M3 DISK20900	D100 M3 DISK21000	D120 S2 DISK21100	D120 S2 DISK21200	Spare DISK21300	not supported	not supported

Figure 7-1. Example storage map



NOTE: FCA = Fibre Channel Adapter

CXO7298A

Figure 7-2. Example system

7-4 MA6000 HSG60 Array Controller ACS Version 8.5 Solution Software for Windows NT and Windows 2000
Installation and Configuration Guide

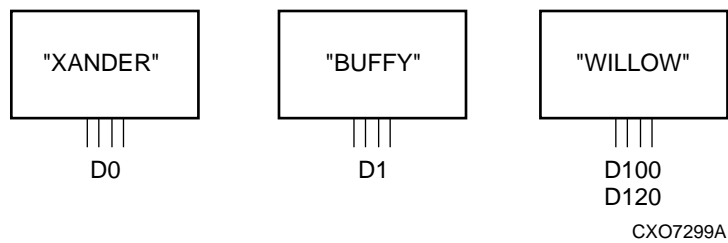


Figure 7-3. Example virtual layout from the hosts' point of view

CLI Configuration Example

NOTE: "This" controller is top controller (A).

Plug serial cable from maintenance terminal into top controller.

```
CLEAR CLI
SET MULTIBUS COPY=THIS
CLEAR CLI
SET THIS SCSI_VERSION=SCSI-3
SET THIS IDENTIFIER=88
SET THIS PORT_1_TOPOLOGY=FABRIC
SET THIS PORT_2_TOPOLOGY=FABRIC
SET OTHER PORT_1_TOPOLOGY=FABRIC
SET OTHER PORT_2_TOPOLOGY=FABRIC
SET THIS ALLOCATION_CLASS=1
RESTART OTHER
RESTART THIS
SET THIS TIME=11-JAN-2000:10:20:00
RUN FRUTIL
```

Do you intend to replace this controller's cache battery? Y/N [N]

Y

Plug serial cable from maintenance terminal into bottom controller.

NOTE: Bottom controller (B) becomes “this” controller.

RUN FRUTIL

Do you intend to replace this controller's cache battery? Y/N [N]

Y

SET THIS MIRRORED_CACHE.

NOTE: This command causes the controllers to restart.

SET THIS PROMPT=“BTVS BOTTOM”

SET OTHER PROMPT=“BTVS TOP”

SHOW THIS

SHOW OTHER

SET WILLOW1A1 UNIT_OFFSET=100

SET WILLOW1B1 UNIT_OFFSET=100

SET WILLOW2A2 UNIT_OFFSET=100

SET WILLOW2B2 UNIT_OFFSET=100

RUN CONFIG

ADD RAIDSET R1 DISK10000 DISK20000 DISK10100 DISK20100 DISK10200 DISK20200

INITIALIZE R1

ADD UNIT D0R1 DISABLE_ACCESS_PATH=ALL

SET D0 ENABLE_ACCESS_PATH=(XANDER1A1, XANDER1B1, XANDER2A2, XANDER2B2)

SET D0 IDENTIFIER=0

ADD MIRRORSET MI DISK10300 DISK20300 DISK10400 DISK20400

ADD MIRRORSET M2 DISK10500 DISK20500 DISK10800 DISK20800

ADD STRIPESET S1 M1 M2

INITIALIZE S1

ADD UNIT D1 S1 DISABLE_ACCESS_PATH=ALL

SET D1 ENABLE_ACCESS_PATH=(BUFFY1A1, BUFFY1B1, BUFFY2A2, BUFFY2B2)

SET D1 IDENTIFIER=1

ADD MIRRORSET M3 DISK10900 DISK20900 DISK11000 DISK21000

INITIALIZE M3

ADD UNIT D100 M3 DISABLE_ACCESS_PATH=ALL

SET D100 ENABLE_ACCESS_PATH=(WILLOW1A1, WILLOW1B1, WILLOW2A2, WILLOW2B2)

7-6 *MA6000 HSG60 Array Controller ACS Version 8.5 Solution Software for Windows NT and Windows 2000 Installation and Configuration Guide*

```

SET D100 IDENTIFIER=100
ADD STRIPESSET S2 DISK11100 DISK11200 DISK21100 DISK21200
INITIALIZE S2
ADD UNIT D120 S2 DISABLE_ACCESS_PATH=ALL
SET D120 ENABLE_ACCESS_PATH=(WILLOW1A1, WILLOW1B1, WILLOW2A2, WILLOW2B2)
SET D120 IDENTIFIER=120
ADD SPARESET DISK11300
ADD SPARESET DISK21300
SHOW UNITS ALL

```

Plug in the Fibre Channel cable from the first adapter in host "XANDER."

```
SHOW CONNECTIONS
```

Connection Name	Operating System	Controller	Port	Address	Status	Unit Offset
!NEWCON00	WNNT	THIS	1	XXXXXX	OL this	0
				HOST_ID=XXXX-XXXX-XXXX-XXXX	ADAPTER_ID=XXXX-XXXX-XXXX-XXXX	
!NEWCON01	WNNT	OTHER	1	XXXXXX	OL other	0
				HOST_ID=XXXX-XXXX-XXXX-XXXX	ADAPTER_ID=XXXX-XXXX-XXXX-XXXX	

```

RENAME !NEWCON00 XANDER1B1
SET XANDER1B1 OPERATING_SYSTEM=WINNT
RENAME !NEWCON01 XANDER1A1
SET XANDER1A1 OPERATING_SYSTEM=WINNT
SHOW CONNECTIONS

```

NOTE: Connection table sorts alphabetically.

Connection Name	Operating System	Controller	Port	Address	Status	Unit Offset
XANDER1A1	WINNT	OTHER	1	XXXXXX	OL other	0
HOST_ID=XXXX-XXXX-XXXX-XXXX			ADAPTER_ID=XXXX-XXXX-XXXX-XXXX			
XANDER1B1	WINNT	THIS	1	XXXXXX	OL this	0
HOST_ID=XXXX-XXXX-XXXX-XXXX			ADAPTER_ID=XXXX-XXXX-XXXX-XXXX			

Mark or tag both ends of Fibre Channel cables.

Plug in the Fibre Channel cable from the second adapter in host "XANDER."

SHOW CONNECTIONS

Connection Name	Operating System	Controller	Port	Address	Status	Unit Offset
!NEWCON02	WINNT	THIS	2	XXXXXX	OL this	0
HOST_ID=XXXX-XXXX-XXXX-XXXX			ADAPTER_ID=XXXX-XXXX-XXXX-XXXX			
!NEWCON03	WINNT	OTHER	2	XXXXXX	OL other	0
HOST_ID=XXXX-XXXX-XXXX-XXXX			ADAPTER_ID=XXXX-XXXX-XXXX-XXXX			
XANDER1A1	WINNT	OTHER	1	XXXXXX	OL other	0
...						

```

RENAME !NEWCON02 XANDER2B2
SET XANDER2B2 OPERATING_SYSTEM=WINNT
RENAME !NEWCON02 XANDER2A2
SET XANDER2A2 OPERATING_SYSTEM=WINNT
SHOW CONNECTIONS
    
```

7-8 MA6000 HSG60 Array Controller ACS Version 8.5 Solution Software for Windows NT and Windows 2000
Installation and Configuration Guide

Connection Name	Operating System	Controller	Port	Address	Status	Unit Offset
XANDER1A1	WINNT	OTHER	1	XXXXXX	OL other	0
				HOST_ID=XXXX-XXXX-XXXX-XXXX		ADAPTER_ID=XXXX-XXXX-XXXX-XXXX
XANDER1B1	WINNT	THIS	1	XXXXXX	OL this	0
				HOST_ID=XXXX-XXXX-XXXX-XXXX		ADAPTER_ID=XXXX-XXXX-XXXX-XXXX
XANDER2A2	WINNT	OTHER	2	XXXXXX	OL other	0
				HOST_ID=XXXX-XXXX-XXXX-XXXX		ADAPTER_ID=XXXX-XXXX-XXXX-XXXX
XANDER2B2	WINNT	THIS	2	XXXXXX	OL this	0
				HOST_ID=XXXX-XXXX-XXXX-XXXX		ADAPTER_ID=XXXX-XXXX-XXXX-XXXX

Mark or tag both ends of Fibre Channel cables

Repeat this process to add connections from the other two hosts. The resulting connection table should appear similar to the following:

Connection Name	Operating System	Controller	Port	Address	Status	Unit Offset
BUFFY1A1	WINNT	OTHER	1	XXXXXX	OL other	0
				HOST_ID=XXXX-XXXX-XXXX-XXXX	ADAPTER_ID=XXXX-XXXX-XXXX-XXXX	
BUFFY1B1	WINNT	THIS	1	XXXXXX	OL this	0
				HOST_ID=XXXX-XXXX-XXXX-XXXX	ADAPTER_ID=XXXX-XXXX-XXXX-XXXX	
BUFFY2A2	WINNT	OTHER	2	XXXXXX	OL other	0
				HOST_ID=XXXX-XXXX-XXXX-XXXX	ADAPTER_ID=XXXX-XXXX-XXXX-XXXX	
BUFFY2B2	WINNT	THIS	2	XXXXXX	OL this	0
				HOST_ID=XXXX-XXXX-XXXX-XXXX	ADAPTER_ID=XXXX-XXXX-XXXX-XXXX	
WILLOW1A1	WINNT	OTHER	1	XXXXXX	OL other	0
				HOST_ID=XXXX-XXXX-XXXX-XXXX	ADAPTER_ID=XXXX-XXXX-XXXX-XXXX	
WILLOW1B1	WINNT	THIS	1	XXXXXX	OL this	0
				HOST_ID=XXXX-XXXX-XXXX-XXXX	ADAPTER_ID=XXXX-XXXX-XXXX-XXXX	
WILLOW2A2	WINNT	OTHER	2	XXXXXX	OL other	0
				HOST_ID=XXXX-XXXX-XXXX-XXXX	ADAPTER_ID=XXXX-XXXX-XXXX-XXXX	
WILLOW2B2	WINNT	THIS	2	XXXXXX	OL this	0
				HOST_ID=XXXX-XXXX-XXXX-XXXX	ADAPTER_ID=XXXX-XXXX-XXXX-XXXX	
XANDER1A1	WINNT	OTHER	1	XXXXXX	OL other	0
				HOST_ID=XXXX-XXXX-XXXX-XXXX	ADAPTER_ID=XXXX-XXXX-XXXX-XXXX	
XANDER1B1	WINNT	THIS	1	XXXXXX	OL this	0
				HOST_ID=XXXX-XXXX-XXXX-XXXX	ADAPTER_ID=XXXX-XXXX-XXXX-XXXX	
XANDER2A2	WINNT	OTHER	2	XXXXXX	OL other	0
				HOST_ID=XXXX-XXXX-XXXX-XXXX	ADAPTER_ID=XXXX-XXXX-XXXX-XXXX	
XANDER2B2	WINNT	THIS	2	XXXXXX	OL this	0
				HOST_ID=XXXX-XXXX-XXXX-XXXX	ADAPTER_ID=XXXX-XXXX-XXXX-XXXX	

For more information on using CLI, please see the *Compaq StorageWorks HSG60/HSG80 Array Controller ACS Version 8.5 CLI Reference Guide*

Chapter 8

Backing Up the Subsystem, Cloning Data for Backup, and Moving Stagesets

This chapter describes some common procedures that are not part of configuration.

The following information is included in this chapter:

- “Backing Up the Subsystem Configuration,” page 8-1
- “Cloning Data for Backup,” page 8-2
- “Moving Stagesets,” page 8-6

Backing Up the Subsystem Configuration

Your controller stores information about your subsystem configuration in its nonvolatile memory. This information could be lost if the controller fails or when you replace a module in your subsystem.

You can use the `SHOW this_controller FULL` command to find out if the save configuration feature is active and which devices are being used to store the configuration. The display includes a line that indicates status and how many devices have copies of the configuration, as shown in the following example.

```
SHOW THIS_CONTROLLER FULL
```

The last line of the status the CLI returns shows on how many devices the configuration is backed up.

Also, the `SHOW devices FULL` command shows which disk drive are set up to back up the configuration. Enter this command:

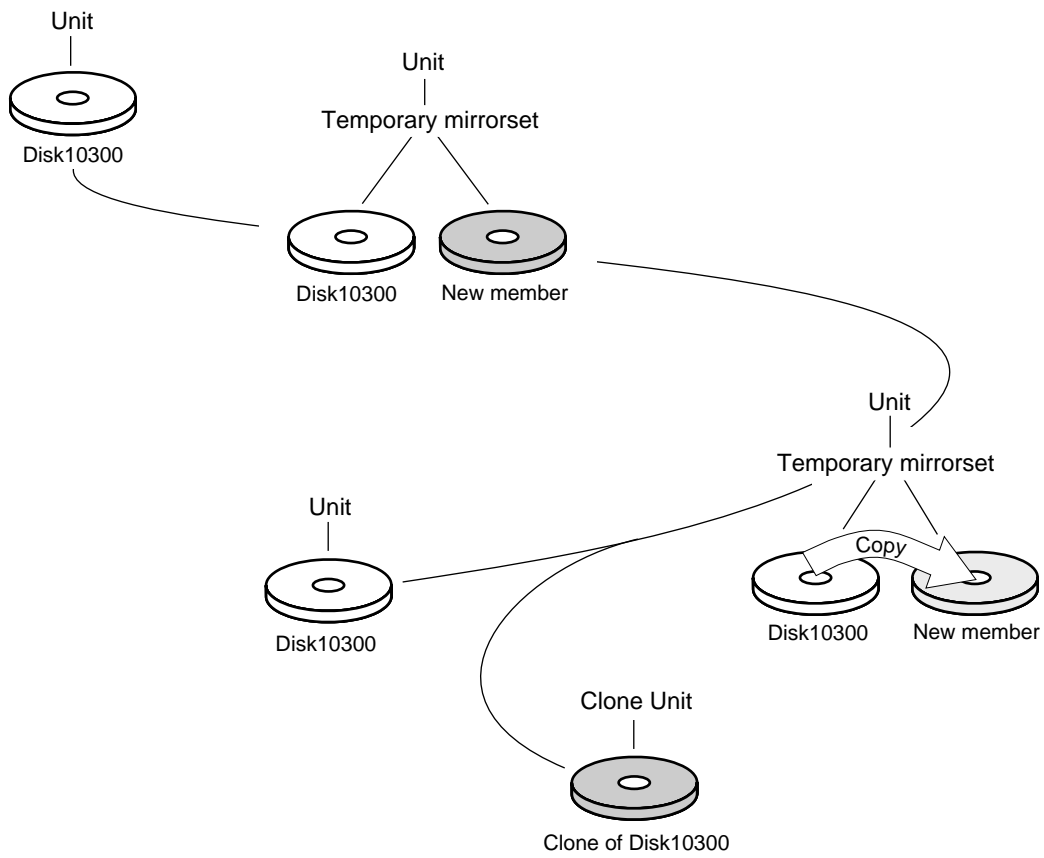
```
SHOW DEVICES FULL
```

Cloning Data for Backup

Use the `CLONE` utility to duplicate the data on any unpartitioned single-disk unit, stripeset, mirrorset, or striped mirrorset in preparation for backup. When the cloning operation is done, you can back up the clones rather than the storageset or single-disk unit, which can continue to service its I/O load. When you are cloning a mirrorset, `CLONE` does not need to create a temporary mirrorset. Instead, it adds a temporary member to the mirrorset and copies the data onto this new member.

The `CLONE` utility creates a temporary, two-member mirrorset for each member in a single-disk unit or stripeset. Each temporary mirrorset contains one disk drive from the unit you are cloning and one disk drive onto which `CLONE` copies the data. During the copy operation, the unit remains online and active so the clones contain the most up-to-date data.

After the `CLONE` utility copies the data from the members to the clones, it restores the unit to its original configuration and creates a clone unit you can backup. The `CLONE` utility uses steps shown in Figure 8-1 to duplicate each member of a unit.



CXO5510A

Figure 8-1. Steps the CLONE utility follows for duplicating unit members

8-4 *MA6000 HSG60 Array Controller ACS Version 8.5 Solution Software for Windows NT and Windows 2000
Installation and Configuration Guide*

Use the following steps to clone a single-disk unit, stripeset, or mirrorset:

1. Establish a connection to the controller that accesses the unit you want to clone.
2. Start CLONE using the following command:
RUN CLONE
3. When prompted, enter the unit number of the unit you want to clone.
4. When prompted, enter a unit number for the clone unit that CLONE will create.
5. When prompted, indicate how you would like the clone unit to be brought online:
either automatically or only after your approval.
6. When prompted, enter the disk drives you want to use for the clone units.
7. Back up the clone unit.

Example:

This example shows the commands you would use to clone storage unit D98. The clone command terminates after it creates storage unit D99, a clone or copy of D98.

```
RUN CLONE
CLONE LOCAL PROGRAM INVOKED
UNITS AVAILABLE FOR CLONING:
    98
ENTER UNIT TO CLONE? 98
CLONE WILL CREATE A NEW UNIT WHICH IS A COPY OF UNIT 98.
ENTER THE UNIT NUMBER WHICH YOU WANT ASSIGNED TO THE NEW UNIT? 99
THE NEW UNIT MAY BE ADDED USING ONE OF THE FOLLOWING METHODS:
1. CLONE WILL PAUSE AFTER ALL MEMBERS HAVE BEEN COPIED. THE USER MUST THEN PRESS
    RETURN TO CAUSE THE NEW UNIT TO BE ADDED.
2. AFTER ALL MEMBERS HAVE BEEN COPIED, THE UNIT WILL BE ADDED AUTOMATICALLY.
UNDER WHICH ABOVE METHOD SHOULD THE NEW UNIT BE ADDED[]?1
DEVICES AVAILABLE FOR CLONE TARGETS:
DISK20200 (SIZE=832317)
DISK20300 (SIZE=832317)
USE AVAILABLE DEVICE DISK20200(SIZE=832317) FOR MEMBER DISK10300(SIZE=832317) (Y,N) [Y]? Y
MIRROR DISK10300 C_MA
SET C_MA NOPOLICY
SET C_MA MEMBERS=2
SET C_MA REPLACE=DISK20200
DEVICES AVAILABLE FOR CLONE TARGETS:
DISK20300 (SIZE=832317)
USE AVAILABLE DEVICE DISK10400(SIZE=832317) FOR MEMBER DISK10000(SIZE=832317) (Y,N) [Y]? Y
MIRROR DISK10000 C_MB
SET C_MB NOPOLICY
SET C_MB MEMBERS=2
SET C_MB REPLACE=DISK10400
```

COPY IN PROGRESS FOR EACH NEW MEMBER. PLEASE BE PATIENT...

.
.

COPY FROM DISK10300 TO DISK20200 IS 100% COMPLETE

COPY FROM DISK10000 TO DISK10400 IS 100% COMPLETE

PRESS RETURN WHEN YOU WANT THE NEW UNIT TO BE CREATED

REDUCE DISK20200 DISK10400

UNMIRROR DISK10300

UNMIRROR DISK10000

ADD MIRRORSET C_MA DISK20200

ADD MIRRORSET C_MB DISK10400

ADD STRIPESET C_ST1 C_MA C_MB

INIT C_ST1 NODESTROY

ADD UNIT D99 C_ST1

D99 HAS BEEN CREATED. IT IS A CLONE OF D98.

CLONE - NORMAL TERMINATION

Moving StorageSets

You can move a storageSet from one subsystem to another without destroying its data. You also can follow the steps in this section to move a storageSet to a new location within the same subsystem.



CAUTION: Move only normal storageSets. Do not move storageSets that are reconstructing or reduced, or data corruption will result.

See the release notes for the version of your controller's software for information on which drives can be supported.



CAUTION: Never initialize any container or this procedure will not protect data.

Use the following procedure to move a stageset while maintaining the data it contains:

1. Show the details for the stageset you want to move. Use the following command:

```
SHOW STAGESET-NAME
```

2. Label each member with its name and PTL location.

If you do not have a stageset map for your subsystem, you can enter the LOCATE command for each member to find its PTL location. Use the following command:

```
LOCATE DISK-NAME
```

To cancel the locate command, enter the following:

```
LOCATE CANCEL
```

3. Delete the unit number shown in the “Used by” column of the SHOW stageset-name command. Use the following syntax:

```
DELETE UNIT-NUMBER
```

4. Delete the stageset shown in the “Name” column of the SHOW stageset-name command. Use the following syntax:

```
DELETE STAGESET-NAME
```

5. Delete each disk drive, one at a time, that the stageset contained. Use the following syntax:

```
DELETE DISK-NAME
```

```
DELETE DISK-NAME
```

```
DELETE DISK-NAME
```

6. Remove the disk drives and move them to their new PTL locations.

7. Add again each disk drive to the controller's list of valid devices. Use the following syntax:

```
ADD DISK DISK-NAME PTL-LOCATION
```

```
ADD DISK DISK-NAME PTL-LOCATION
```

```
ADD DISK DISK-NAME PTL-LOCATION
```

8. Recreate the stageset by adding its name to the controller's list of valid stagesets and specifying the disk drives it contains. (Although you have to recreate the stageset from its original disks, you do not have to add them in their original order.) Use the following syntax:

```
ADD STAGESET-NAME DISK-NAME DISK-NAME
```

8-8 *MA6000 HSG60 Array Controller ACS Version 8.5 Solution Software for Windows NT and Windows 2000
Installation and Configuration Guide*

9. Represent the storageset to the host by giving it a unit number the host can recognize. You can use the original unit number or create a new one. Use the following syntax:

ADD UNIT UNIT-NUMBER STORAGESET-NAME

Example:

The following example moves unit D100 to another cabinet. D100 is the RAIDset RAID99 that consists of members DISK10000, DISK20000, and DISK10100.

```
DELETE D100
DELETE RAID99
DELETE DISK10000
DELETE DISK10100
DELETE DISK20000
DELETE DISK20100
ADD DISK DISK10000
ADD DISK DISK10100
ADD DISK DISK20000
ADD DISK DISK20100
ADD RAIDSET RAID99 DISK10000 DISK10100 DISK20000 DISK20100
ADD UNIT D100 RAID99
```

Appendix **A**

Subsystem Profile Templates

This appendix contains storageset profiles you can copy and use to create your system profiles. It also contains an enclosure template you can use to help keep track of the location of devices and storagesets in your shelves. For HSG60, the maximum number of shelves is two. Four (4) templates will be needed for the MA6000.

- “Storageset Profile,” page A-2
- “Storage Map Template 1,” page A-3 for a single Model 4214R enclosure
- “Storage Map Template 2,” page A-4 for a single Model 4254 enclosure
- “Storage Map Template 3,” page A-5 for two Model 4214R enclosures

StorageSet Profile

Type of StorageSet:

<input type="checkbox"/> Mirrorset	<input checked="" type="checkbox"/> RAIDset	<input type="checkbox"/> Stripeset	<input type="checkbox"/> Striped Mirrorset	<input type="checkbox"/> JBOD
------------------------------------	---	------------------------------------	--	-------------------------------

StorageSet Name

Disk Drives

Unit Number

Partitions:

Unit #	Unit #	Unit #	Unit #	Unit #	Unit #	Unit #	Unit #
%	%	%	%	%	%	%	%

RAIDset Switches:

Reconstruction Policy	Reduced Membership	Replacement Policy
<input type="checkbox"/> Normal (default)	<input type="checkbox"/> No (default)	<input type="checkbox"/> Best performance (default)
<input type="checkbox"/> Fast	<input type="checkbox"/> Yes, missing:	<input type="checkbox"/> Best fit
		<input type="checkbox"/> None

Mirrorset Switches:

Replacement Policy	Copy Policy	Read Source
<input type="checkbox"/> Best performance (default)	<input type="checkbox"/> Normal (default)	<input type="checkbox"/> Least busy (default)
<input type="checkbox"/> Best fit	<input type="checkbox"/> Fast	<input type="checkbox"/> Round robin
<input type="checkbox"/> None		<input type="checkbox"/> Disk drive:

Initialize Switches:

Chunk size	Save Configuration	Metadata
<input type="checkbox"/> Automatic (default)	<input type="checkbox"/> No (default)	<input type="checkbox"/> Destroy (default)
<input type="checkbox"/> 64 blocks	<input type="checkbox"/> Yes	<input type="checkbox"/> Retain
<input type="checkbox"/> 128 blocks		
<input type="checkbox"/> 256 blocks		
<input type="checkbox"/> Other:		

Unit Switches:

Caching	Access by following hosts enabled
Read caching_____	_____
Read-ahead caching_____	_____
Write-back caching_____	_____
Write-through caching_____	_____

Storage Map Template 1

Use this template for an MA6000 subsystem with a single Model 4214R disk enclosure (single-bus).

Model 4214 Disk Enclosure Shelf 1 (single-bus)														
Bay	1	2	3	4	5	6	7	8	9	10	11	12	13	14
SCSI ID	00	01	02	03	04	05	08	09	10	11	12	13	14	15
DISK ID	Disk10000	Disk10100	Disk10200	Disk10300	Disk10400	Disk10500	Disk10800	Disk10900	Disk11000	Disk11100	Disk11200	Disk11300	not supported	not supported

Storage Map Template 2

Use this template for an MA6000 subsystem with a single Model 4254 disk enclosure (dual-bus).

Model 4254 Disk Enclosure Shelf 1 (dual-bus)														
Bus A							Bus B							
Bay	1	2	3	4	5	6	7	8	9	10	11	12	13	14
SCSI ID	00	01	02	03	04	05	08	00	01	02	03	04	05	08
DISK ID	Disk10000	Disk10100	Disk10200	Disk10300	Disk10400	Disk10500	Disk10800	Disk20000	Disk20100	Disk20200	Disk20300	Disk20400	Disk20500	Disk20800

Storage Map Template 3

Use this template for an MA6000 subsystem with two Model 4214R disk enclosures (single-bus)

NOTE: Disk enclosure shelf 1 is a single-bus shelf connected to device port 1 and disk enclosure shelf 2 is a single-bus shelf connected to device port 2.

Model 4214 Disk Enclosure Shelf 1 (single-bus)														
Bay	1	2	3	4	5	6	7	8	9	10	11	12	13	14
SCSI ID	00	01	02	03	04	05	08	09	10	11	12	13	14	15
DISK ID	Disk10000	Disk10100	Disk10200	Disk10300	Disk10400	Disk10500	Disk10800	Disk10900	Disk11000	Disk11100	Disk11200	Disk11300	not supported	not supported

Model 4214 Disk Enclosure Shelf 2 (single-bus)														
Bay	1	2	3	4	5	6	7	8	9	10	11	12	13	14
SCSI ID	00	01	02	03	04	05	08	09	10	11	12	13	14	15
DISK ID	Disk20000	Disk20100	Disk20200	Disk20300	Disk20400	Disk20500	Disk20800	Disk20900	Disk21000	Disk21100	Disk21200	Disk21300	not supported	not supported

Index

A

- accessing the CLI
 - SWCC 5-22
- accessing the configuration menu
 - Agent 4-7
- ADD CONNECTIONS
 - multiple-bus failover 1-19
 - transparent failover 1-17
- ADD UNIT
 - multiple-bus failover 1-19
 - transparent failover 1-17
- adding
 - subsystem entry
 - Agent 4-11
- adding a disk drive to the spareset
 - configuration options 5-24
- adding disk drives
 - configuration options 5-24
- Agent
 - accessing the configuration menu 4-7
 - configuration menu 4-7
 - configuring 4-7
 - adding a subsystem entry 4-11
 - changing the Agent access password 4-7
 - deleting a client system entry 4-10
 - deleting a subsystem entry 4-13
 - stopping and starting the Agent 4-14
 - deleting a client system entry 4-10
 - deleting a subsystem entry 4-13
 - disabling startup 4-15
 - enabling startup 4-15
 - functions 4-1

- installing 4-5
- starting 4-14
- stopping 4-14
- subsystem entry
 - adding 4-11
 - tooggling startup 4-15
 - using the configuration menu 4-7
- array of disk drives 2-9
- assigning unit numbers 1-17
- assignment
 - unit numbers
 - fabric topology 5-20
 - unit qualifiers
 - fabric topology 5-20
- assignment of unit numbers
 - fabric topology
 - partition 5-21
 - single disk 5-21
- autospare
 - enabling
 - fabric topology 5-25
- availability 2-16

B

- backup
 - cloning data 8-2
 - subsystem configuration 8-1

C

- cabling
 - controller pair 5-10
 - multiple-bus failover

I-2 **MA6000 HSG60 Array Controller ACS Version 8.5 Solution Software for Windows NT and Windows 2000
Installation and Configuration Guide**

- fabric topology configuration 5-10
- single controller 5-4
- cache modules
 - location 1-2
 - read caching 1-9
 - write-back caching 1-9
 - write-through caching 1-10
- caching techniques
 - mirrored 1-10
 - read caching 1-9
 - read-ahead caching 1-9
 - write-back caching 1-9
 - write-through caching 1-10
- CCL
 - definition 3-4
 - disabling 3-11
- changing switches
 - configuration options 5-26, 5-27
- chunk size
 - choosing for RAIDsets and stripesets 2-24
 - controlling stripesize 2-24
 - using to increase data transfer rate 2-26
 - using to increase request rate 2-24
 - using to increase write performance 2-27
- CHUNKSIZE 2-24
- CLI commands
 - installation verification 5-8, 5-15
 - specifying identifier for a unit 5-22
 - verify host configuration 6-1
 - verify virtual disk 6-1
- CLI prompt
 - changing
 - fabric topology 5-23
- Client
 - launching 3-11
- CLONE utility
 - backup 8-2
- cloning
 - backup 8-2
- command console LUN 1-11
 - SCSI-2 mode 1-20
 - SCSI-3 mode 1-20
- comparison of container types 2-9
- completing configuration 3-16
- configuration
 - backup 8-1
 - changes 3-19
 - completion 3-16
 - fabric topology
 - devices 5-16
 - multiple-bus failover
 - cabling 5-10
 - multiple-bus failover using CLI 7-4
 - single controller cabling 5-4
 - fibre channel fabric topology
 - using CLI 5-1
 - using SWCC 5-1
 - restoring 2-27
 - rules 2-3
 - verify host 6-1
 - verifying 3-17
- configuration menu
 - Agent 4-7
- configuration options
 - fabric topology
 - adding a disk drive to the spareset 5-24
 - adding disk drives 5-24
 - changing switches
 - device 5-27
 - displaying the current switches 5-26
 - initialize 5-27
 - RAIDset and mirrorset 5-26
 - unit 5-27
 - changing switches for a storageset or device 5-26
 - changing the CLI prompt 5-23
 - deleting a storageset 5-26
 - enabling autospare 5-25
 - removing a disk drive from the spareset 5-25
- configuring
 - Agent 4-7
- configuring devices
 - fabric topology 5-16

- configuring storage
 - SWCC 5-22
- connection
 - hardware 3-15
- connection methods
 - SWCC 3-9
- connections 1-12
 - naming 1-12
- containers
 - attributes 2-7
 - comparison 2-9
 - illustrated 2-8
 - mirrorsets 2-14
 - planning storage 2-7
 - stripesets 2-13
- controller verification
 - installation 5-8, 5-15
- controllers
 - cabling 5-4, 5-10
 - location 1-2
 - node IDs 1-28
 - other defined xiv
 - properties 3-12
 - settings 3-4
 - this defined xiv
 - verification of installation 5-8, 5-15
 - worldwide names 1-28
- creating
 - storage set and device profiles 2-10
- creating virtual disk 3-8, 3-14

D

- data transfer rate 2-26
- deleting a client system entry
 - Agent 4-10
- deleting a subsystem entry
 - Agent 4-13
- DESTROY 2-27
- device
 - changing switches
 - fabric topology 5-26
- device switches

- changing
 - fabric topology 5-27
- devices
 - configuration
 - fabric topology 5-16
 - creating a profile 2-10
- disabling
 - CCL 3-11
- disabling Agent startup 4-15
- disabling startup
 - Agent 4-15
- disk administrator 3-16
 - display 3-16
- disk drives
 - adding
 - fabric topology 5-24
 - adding to the spareset
 - fabric topology 5-24
 - array 2-9
 - corresponding storage sets 2-28
 - dividing 2-20
 - removing from the spareset
 - fabric topology 5-25
- displaying the current switches
 - fabric topology 5-26
- dividing storage sets 2-20

E

- enabling
 - switches 2-22
- enabling Agent startup 4-15
- enabling startup
 - Agent 4-15
- erasing metadata 2-27
- establishing a local connection 5-2
- establishing a serial connection
 - HSG60 storage window 3-11

F

- fabric topology
 - configuration
 - single controller cabling 5-4

I-4 *MA6000 HSG60 Array Controller ACS Version 8.5 Solution Software for Windows NT and Windows 2000
Installation and Configuration Guide*

failover 1-3
 definition 3-4
 multiple-bus 1-7
 transparent 1-4

fibre channel
 definition 3-4
fibre channel hub 3-8
fibre channel switch 3-8

functions
 Agent 4-1

G

geometry
 initialize switches 2-28

H

hardware
 connections 3-15
 installation 3-15

host access
 restricting by offsets
 multiple-bus failover 1-27
 transparent failover 1-23
 restricting in multiple-bus failover mode
 disabling access paths 1-24
 restricting in multiple-bus failover mode 1-24
 restricting in transparent failover mode 1-21
 disabling access paths 1-23
 separate links 1-22

host adapter
 installation 3-1
 preparation 3-1

host connections 1-12
 naming 1-12

HSxDisk driver 3-7

I

initial setup settings 3-4
initialize switches
 changing
 fabric topology 5-27
 CHUNKSIZE 2-24
 DESTROY 2-27

geometry 2-28
NODESTROY 2-27
NOSAVE_CONFIGURATION 2-27
SAVE_CONFIGURATION 2-27

installation
 controller verification 5-8, 5-15
 hardware 3-15
 host adapter 3-2
 SWCC Client 3-8, 3-10

installation verification
 CLI commands 5-8, 5-15

installing
 Agent 4-5
 KGPSA adapter device driver 3-2

J

JBOD 2-9

K

KGPSA adapter device driver
 installing 3-2

KGPSA driver support 3-7

L

launching
 Client 3-11

LOCATE
 find devices 2-31

location
 cache module 1-2
 controller 1-2

LUN IDs
 general description 1-29

LUN presentation 1-18

M

maintenance port connection
 establishing a local connection 5-2
 illustrated 5-2

mapping storagesets 2-28

mirrored caching
 enabling 1-10
 illustrated 1-10

- mirrorset switches
 - changing
 - fabric topology 5–26
 - mirrorsets
 - planning considerations 2–14
 - important points 2–16
 - switches 2–23
 - moving storage sets 8–6
 - multiple-bus failover 1–7
 - ADD CONNECTIONS command 1–19
 - ADD UNIT command 1–19
 - ADD UNIT command 1–19
 - CLI configuration procedure
 - fabric topology 7–4
 - fabric topology
 - preferring units 5–23
 - fabric topology configuration
 - cabling 5–10
 - host connections 1–19
 - restricting host access 1–24
 - disabling access paths 1–24
 - restricting host access by offsets 1–27
 - SET CONNECTIONS command 1–19
 - SET UNIT command 1–19
- N**
- node ID
 - restoring 1–28
 - node IDs 1–28
 - NODE_ID
 - worldwide name 1–28
 - NODESTROY 2–27
 - NOSAVE_CONFIGURATION 2–27
- O**
- offset
 - LUN presentation 1–18
 - restricting host access
 - multiple-bus failover 1–27
 - transparent failover 1–23
 - SCSI version factor 1–19
 - options
 - for mirrorsets 2–23
 - for RAIDsets 2–23
 - initialize 2–24
 - other controller 1–2
 - defined xiv
 - overwriting data 2–27
- P**
- partitions
 - assigning a unit number
 - fabric topology 5–21
 - creation 3–17
 - defining 2–20
 - formatting 3–18
 - planning considerations 2–20
 - guidelines 2–21
 - removing 3–19
 - performance 2–16
 - planning
 - overview 2–10
 - striped mirrorsets 2–19
 - stripesets 2–13
 - planning considerations 2–16
 - planning storage
 - containers 2–7
 - where to start 2–2
 - planning storage sets
 - characteristics
 - changing switches 2–22
 - enabling switches 2–22
 - initialization switch 2–21
 - storage set switch 2–21
 - unit switch 2–21
 - switches
 - initialization 2–24
 - storage sets 2–22
 - unit 2–28
 - preferring units
 - multiple-bus failover
 - fabric topology 5–23

profile

- storageset
 - example A-2

profiles

- creating 2-10
- description 2-10
- storageset A-1

R

RAIDset switches

- changing
 - fabric topology 5-26

RAIDsets

- choosing chunk size 2-24
- maximum membership 2-17
- planning considerations 2-16
 - important points 2-17
- switches 2-23

read caching

- enabled for all storage units 1-9
- general description 1-9

read requests

- decreasing the subsystem response time with
 - read caching 1-9

read-ahead caching 1-9

- enabled for all disk units 1-9

related publications xv

removing a subsystem entry

- Agents 4-13

request rate 2-24

requirements

- host adapter installation 3-2
- storage configuration 5-22

restricting host access

- disabling access paths
 - multiple-bus failover 1-24
 - transparent failover 1-23
- multiple-bus failover 1-24
- separate links
 - transparent failover 1-22
- transparent failover 1-21

S

SAVE_CONFIGURATION 2-27

saving configuration 2-27

SCSI version

- offset 1-19

SCSI-2

- assigning unit numbers 1-20
- command console lun 1-20

SCSI-3

- assigning unit numbers 1-20
- command console lun 1-20
- selective unit presentation 1-21
- serial connection
 - establishing
 - HSG60 storage window 3-11

SET CONNECTIONS

- multiple-bus failover 1-19
- transparent failover 1-17

SET UNIT

- multiple-bus failover 1-19

settings

- controller configuration handling 2-27
- controllers 3-4

single disk (JBOD)

- assigning a unit number
 - fabric topology 5-21

single Model 4214R disk enclosure

- storage map
 - template 1 A-3

single Model 4254 disk enclosure

- storage map
 - template 2 A-4

software

- verification 3-15

specifying identifier for a unit

- CLI commands 5-22

specifying LUN ID alias

- SWCC 5-22

starting

- Agent 4-14

stopping

- Agent 4-14

- storage
 - creating map 2-28
 - profile
 - example A-2
 - storage map 2-28
 - example 2-30
 - template 1 A-3
 - single Model 4214R disk enclosure A-3
 - template 2 A-4
 - single Model 4254 disk enclosure A-4
 - template 3 A-5
 - two Model 4254 disk enclosures A-5
 - storage set
 - profile
 - example 2-11
 - profiles A-1
 - storage set profile 2-10
 - storage set switches
 - SET command 2-22
 - storage sets
 - creating a profile 2-10
 - deleting
 - fabric topology 5-26
 - fabric topology
 - changing switches 5-26
 - moving 8-6
 - planning considerations 2-12
 - mirrorsets 2-14
 - partitions 2-20
 - RAIDsets 2-16
 - striped mirrorsets 2-18
 - stripesets 2-12
 - profile 2-10
 - striped mirrorsets
 - planning 2-19
 - planning considerations 2-18
 - stripesets
 - distributing members across buses 2-14
 - planning 2-13
 - planning considerations 2-12
 - important points 2-13
 - subsystem
 - saving configuration 2-27
 - subsystem configuration
 - backup 8-1
 - subsystem entry
 - Agent
 - adding 4-11
 - SWCC 4-1
 - accessing the CLI 5-22
 - configuring storage 5-22
 - connection methods 3-9
 - specifying LUN ID alias 5-22
 - SWCC Client
 - installation 3-8, 3-10
 - switches
 - changing 2-22
 - changing characteristics 2-21
 - CHUNKSIZE 2-24
 - DESTROY 2-27
 - enabling 2-22
 - mirrorsets 2-23
 - NODESTROY 2-27
 - NOSAVE_CONFIGURATION 2-27
 - RAIDset 2-23
 - SAVE_CONFIGURATION 2-27
 - switches for storage sets
 - overview 2-21
- T**
- templates
 - subsystem profile A-1
 - terminology
 - cache module A and B 1-1
 - controller A and B 1-1
 - other controller 1-2
 - this controller 1-2
 - this controller 1-2
 - defined xiv
 - tooggling startup
 - Agent 4-15

- transparent failover 1-4
 - ADD CONNECTIONS 1-17
 - ADD UNIT 1-17
 - matching units to host connections 1-17
 - restricting host access 1-21
 - disabling access paths 1-23
 - separate links 1-22
 - restricting host access by offsets 1-23
 - SET CONNECTIONS 1-17
- two Model 4254 disk enclosures
 - storage map
 - template 3 A-5

U

- unit numbers
 - assigning 1-17
 - fabric topology 5-20
 - assigning depending on SCSI version 1-20
 - assigning in fabric topology
 - partition 5-21
 - single disk 5-21
- unit qualifiers
 - assigning
 - fabric topology 5-20
- unit switches
 - changing
 - fabric topology 5-27
- units
 - LUN IDs 1-29
- using the configuration menu
 - Agent 4-7

V

- verification
 - controller installation 5-8, 5-15
 - software 3-15
- verification of installation
 - controller 5-8, 5-15
- verify host configuration
 - CLI commands 6-1
- verify virtual disk
 - CLI commands 6-1
- virtual disk
 - creation 3-8, 3-14

W

- worldwide name
 - NODE_ID 1-28
 - REPORTED_PORT_ID 1-28
 - restoring 1-28
- worldwide names 1-28
- write performance 2-27
- write requests
 - improving the subsystem response time with
 - write-back caching 1-9
 - placing data with with write-through caching
 - 1-10
- write-back caching
 - general description 1-9
- write-through caching
 - general description 1-10