

Compaq StorageWorks

Addendum for Replacing an Ultra SCSI RAID BA370 Enclosure EMU

This addendum only applies to the following documents:

Compaq UltraSCSI RAID Enclosure (DS-BA370-Series) User's Guide
EK-BA370-UG. C02 (September 1998)

Compaq StorageWorks HSZ80 Array Controller ACS Version 8.3 Maintenance and Service Guide
EK-HSZ80-SV. A01 (December 1998)

Compaq StorageWorks HSZ70 Array Controller HSOF Version 7.3 Service Manual
EK-HSZ70-SV. B01 (January 1999)

Compaq StorageWorks HSG80 Array Controller ACS Version 8.5 Maintenance and Service Guide
EK-HSG84-SV. C01 (February 2000)

Compaq StorageWorks HSG60/HSG80 Array Controller ACS Version 8.5 Maintenance and Service Guide
EK-HSG84-SV. D01 (June 2000)

An addendum is comprised of two parts: pen-and-ink changes and page changes:

- “Pen-And-Ink Changes” section provides instructions for locating specific text and to either (1) delete this text, (2) replace this text with new text, or (3) to add new text at a specific location.
- “Page Additions” section identifies the number of pages to add at a specific place in the document and a recommendation on how to attach the replacement pages.

IMPORTANT: If the changes within this addendum are not incorporated into the specified documents and then used, potential problems might arise from using obsolete information.

Pen-And-Ink Changes

For each document, incorporate the required change listed in Table 1.

For Document...	On page...	Under Section...	Make This Change...
EK-BA370-UG. C02	3-28 through 3-30	Replacing an EMU	Delete the entire section.
EK-HSZ80-SV. A01	2-50 through 2-51	Replacing an EMU	Delete the entire section.
EK-HSZ70-SV. B01	3-39 through 3-40	Replacing an EMU	Delete the entire section.
EK-HSG84-SV. C01	3-37 through 3-38	Replacing an EMU	Delete the entire section.
EK-HSG84-SV. D01	3-39 through 3-40	Replacing an EMU	Delete the entire section.

Page Additions

For all documents, insert the following sheet where the “Replacing an EMU” section was deleted.

NOTE: Consider securing this sheet into the document by using tape on the inside edge.

Replacing an EMU

The EMU is hot-pluggable and may be replaced with the subsystem operating. Use the following steps in “Removing an EMU” and “Installing an EMU” to replace the EMU in a BA370 enclosure.

Removing an EMU

1. If expansion enclosures exist, disconnect any EMU-EMU communication cables connected to the EMU being replaced.

After a brief delay, the EMU sounds a constant audible alarm tone in any enclosure that becomes disconnected from the master EMU.

NOTE: Cables are reattached to the same connectors on the replacement EMU.

2. Pull the extractor latches outward and remove the EMU from the enclosure.



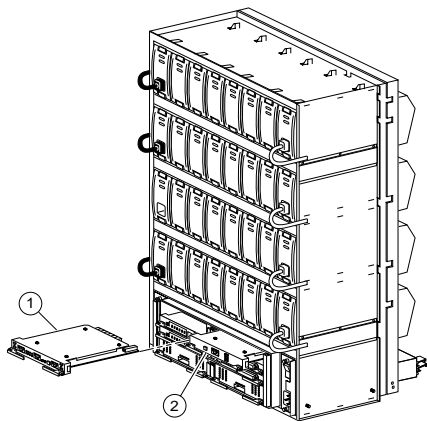
WARNING: Once the EMU is removed from the enclosure, do not attempt to replace any other modules except disks. An enclosure failure may result.

NOTE: When the EMU is extracted from the enclosure, the enclosure PVA sounds a beeping audible alarm tone.

Installing an EMU

1. Verify that the replacement EMU is a model DS-BA35X-EB.
2. Align the replacement EMU in the top, left-hand bay of the controller area (see Figure 1, ①) and insert the EMU.

Addendum Replacement Page 2



CXO5754B

Figure 1. EMU and PVA bay locations in a BA370 enclosure

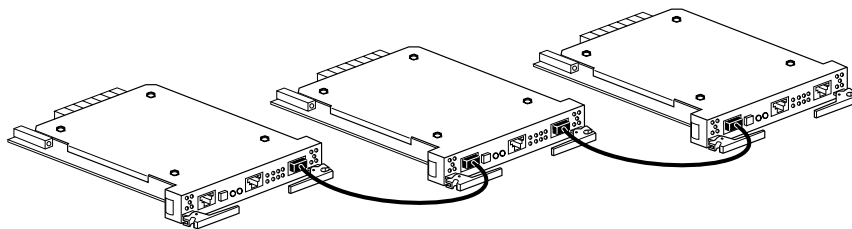
3. Extend the extractor latches outward and push EMU into the bay until the extractor latches engage the enclosure, then rotate the extractors latches inward to seat and secure the EMU.

NOTE: The enclosure PVA audible alarm stops beeping.

4. If expansion enclosures exist, reconnect the EMU-EMU communication cables to the replacement EMU.

All EMU constant audible alarm tones stop immediately, indicating reconnection to the master EMU.

NOTE: For expansion configurations, use BN26M series cables (see Table 3-1 in the *Compaq UltraSCSI RAID Enclosure (BA370-Series) User Guide*) to create the EMU-EMU communications bus connections as illustrated in Figure 2.



CXO5820A

Figure 2. EMU-EMU communications bus connections for BA370 subsystem expansion configurations