

# *Compaq StorageWorks™*

## **MA6000 HSG60 Array Controller ACS Version 8.5c Solution Software for HP-UX**

Installation and Configuration Guide

First Edition (September 2000)  
Part Number: AA-RMD6B-TE  
**Compaq Computer Corporation**

© 2000 Compaq Computer Corporation.

COMPAQ, the Compaq logo, and StorageWorks are Registered in U. S. Patent and Trademark Office. NonStop is a trademark and/or service mark of Compaq Information Technologies Group, L.P.

Microsoft, MS-DOS, Windows, Windows NT, and Windows 2000 are trademarks of Microsoft Corporation.

All other product names mentioned herein may be trademarks or registered trademarks of their respective companies.

Confidential computer software. Valid license from Compaq required for possession, use or copying. Consistent with FAR 12.211 and 12.212, Commercial Computer Software, Computer Software Documentation, and Technical Data for Commercial Items are licensed to the U.S. Government under vendor's standard commercial license.

Compaq shall not be liable for technical or editorial errors or omissions contained herein. The information in this document is subject to change without notice.

THE INFORMATION IN THIS PUBLICATION IS PROVIDED "AS IS" WITHOUT WARRANTY OF ANY KIND. THE ENTIRE RISK ARISING OUT OF THE USE OF THIS INFORMATION REMAINS WITH RECIPIENT. IN NO EVENT SHALL COMPAQ BE LIABLE FOR ANY DIRECT, CONSEQUENTIAL, INCIDENTAL, SPECIAL, PUNITIVE OR OTHER DAMAGES WHATSOEVER (INCLUDING WITHOUT LIMITATION, DAMAGES FOR LOSS OF BUSINESS PROFITS, BUSINESS INTERRUPTION OR LOSS OF BUSINESS INFORMATION), EVEN IF COMPAQ HAS BEEN ADVISED OF THE POSSIBILITY OF SUCH DAMAGES AND WHETHER IN AN ACTION OF CONTRACT OR TORT, INCLUDING NEGLIGENCE.

**The limited warranties for Compaq products are exclusively set forth in the documentation accompanying such products. Nothing herein should be construed as constituting a further or additional warranty.**

Printed in the U.S.A.

MA6000 HSG60 Array Controller ACS Version 8.5c Solution Software for HP-UX  
Installation and Configuration Guide  
First Edition (September 2000)  
Part Number: AA-RMD6B-TE

# Table of Contents

## About This Guide

### Chapter 1

#### Planning a Subsystem

Controller Designations A and B . . . . .	1-2
Controller Designations “This Controller” and “Other Controller” . . . . .	1-3
Selecting a Failover Mode . . . . .	1-4
Transparent Failover Mode . . . . .	1-4
Multiple-Bus Failover Mode . . . . .	1-7
Selecting a Cache Mode . . . . .	1-9
Read Caching . . . . .	1-9
Read-Ahead Caching . . . . .	1-9
Write-Back Caching . . . . .	1-9
Write-Through Caching . . . . .	1-10
Enabling Mirrored Caching . . . . .	1-10
The Command Console LUN . . . . .	1-11
Determining the Address of the CCL . . . . .	1-11
In SCSI II Mode: . . . . .	1-12
Disabling the CCL . . . . .	1-12
Enabling the CCL . . . . .	1-12
In SCSI III Mode: . . . . .	1-12
Connections . . . . .	1-12
Naming Connections . . . . .	1-12
Numbers of Connections . . . . .	1-13
Assigning Unit Numbers . . . . .	1-17

**iv**    *MA6000 HSG60 Array Controller ACS Version 8.5c Solution Software for HP-UX Installation and Configuration Guide*

Matching Units to Host Connections in Transparent Failover Mode . . . . .	1-17
Matching Units to Host Connections in Multiple-bus Failover Mode. . . . .	1-19
Assigning Unit Numbers Depending on SCSI_VERSION . . . . .	1-20
The CCL in SCSI-3 mode. . . . .	1-20
The CCL in SCSI-2 Mode . . . . .	1-21
Restricting Host Access (Selective Storage Presentation) . . . . .	1-22
Restricting Host Access in Transparent Failover Mode . . . . .	1-22
Restricting Host Access by Separate Links . . . . .	1-22
Restricting Host Access by Disabling Access Paths . . . . .	1-23
Restricting Host Access by Offsets . . . . .	1-24
Restricting Host Access in Multiple-Bus Failover Mode . . . . .	1-24
Restricting Host Access by Disabling Access Paths . . . . .	1-25
Restricting Host Access by Offsets . . . . .	1-28
Worldwide Names (Node IDs and Port IDs) . . . . .	1-29
Restoring Worldwide Names (Node IDs) . . . . .	1-29
Unit World Wide Names (LUN IDs). . . . .	1-30

## **Chapter 2**

### **Planning Storage**

Where to Start . . . . .	2-2
Configuration Rules . . . . .	2-3
Device PTL Addressing Convention. . . . .	2-4
Determining Storage Requirements . . . . .	2-6
Choosing a Container Type. . . . .	2-7
Creating a Storageset Profile. . . . .	2-9
Storageset Planning Considerations . . . . .	2-11
Stripeset Planning Considerations . . . . .	2-11
Mirrorset Planning Considerations . . . . .	2-13
RAIDset Planning Considerations . . . . .	2-15
Striped Mirrorset Planning Considerations . . . . .	2-17
Partition Planning Considerations. . . . .	2-18
Defining a Partition . . . . .	2-19
Guidelines for Partitioning Storagesets and Disk Drives. . . . .	2-20
Changing Characteristics through Switches . . . . .	2-20
Enabling Switches . . . . .	2-20
Changing Switches. . . . .	2-21
Storageset and Partition Switches . . . . .	2-21
RAIDset Switches. . . . .	2-21
Mirrorset Switches . . . . .	2-23
Partition Switches . . . . .	2-23
Initialization Switches. . . . .	2-24

Chunk Size . . . . .	2-24
Increasing the Request Rate . . . . .	2-24
Increasing the Data Transfer Rate . . . . .	2-26
Increasing Sequential Write Performance . . . . .	2-27
Save Configuration . . . . .	2-27
Destroy/Nodestroy . . . . .	2-27
Geometry . . . . .	2-28
Unit Switches . . . . .	2-28
Storage Maps . . . . .	2-28
Creating a Storage Map . . . . .	2-28
Example Storage Map . . . . .	2-29
Using the LOCATE Command to Find Devices . . . . .	2-31

## Chapter 3

### Preparing the Host System

Making a Physical Connection . . . . .	3-1
Preparing to Install the Host Bus Adapter . . . . .	3-2
Installing the Host Bus Adapter . . . . .	3-2
Installing the Compaq/QLA2200 Driver . . . . .	3-3
Verifying the Host Bus Adapters and Drivers . . . . .	3-4
Verifying the HP HBA and Driver . . . . .	3-4
Verifying the Compaq/QLA2200 HBA and Driver . . . . .	3-4
Connecting the MA6000 to Your Host System . . . . .	3-6
Configuring a High Availability Cluster Using MC/ServiceGuard . . . . .	3-8
Configuring the HP-UX File System . . . . .	3-9

## Chapter 4

### Installing and Configuring the HS-Series Agent

Why Use StorageWorks Command Console? . . . . .	4-1
About the Network Connection for the Agent . . . . .	4-3
Before You Install the Agent . . . . .	4-5
Installing and Configuring the Agent . . . . .	4-5
Installing and Configuring the Agent on a Local Host . . . . .	4-5
Installing and Configuring the Agent with MC/ServiceGuard . . . . .	4-13
Reconfiguring the Agent . . . . .	4-15
Restarting the Agent . . . . .	4-15
Running the Agent . . . . .	4-15
Removing the Agent . . . . .	4-16

## Chapter 5

### Configuration Procedures

Establishing a Local Connection . . . . .	5-2
Setting Up a Single Controller . . . . .	5-3
Power On and Establish Communication . . . . .	5-3
Cabling a Single controller . . . . .	5-4
Configuring a Single Controller using CLI . . . . .	5-4
Verifying Installation . . . . .	5-8
Setting Up a Controller Pair . . . . .	5-8
Power On and Establish Communication . . . . .	5-8
Cabling a Controller Pair . . . . .	5-9
Configuring a Controller Pair using CLI . . . . .	5-9
Verifying Installation . . . . .	5-13
Configuring Devices . . . . .	5-13
Configuring a Stripeset . . . . .	5-13
Configuring a Mirrorset . . . . .	5-15
Configuring a RAIDset . . . . .	5-15
Configuring a Striped Mirrorset . . . . .	5-16
Configuring a Single-Disk (JBOD) Unit . . . . .	5-17
Configuring a Partition . . . . .	5-17
Assigning Unit Numbers and Unit Qualifiers . . . . .	5-19
Assigning a Unit Number to a StorageSet . . . . .	5-19
Assigning a Unit Number to a Single (JBOD) Disk . . . . .	5-19
Assigning a Unit Number to a Partition . . . . .	5-19
Assigning Unit Identifiers . . . . .	5-20
Using CLI to Specify Identifier for a Unit . . . . .	5-20
Using SWCC to Specify LUN ID Alias for a Virtual Disk . . . . .	5-20
Preferring Units . . . . .	5-21
Configuration Options . . . . .	5-21
Changing the CLI Prompt . . . . .	5-21
Mirroring cache . . . . .	5-21
Adding Disk Drives . . . . .	5-22
Adding a Disk Drive to the Spareset . . . . .	5-23
Removing a Disk Drive from the Spareset . . . . .	5-23
Enabling Autospare . . . . .	5-23
Deleting a StorageSet . . . . .	5-24
Changing Switches for a StorageSet or Device . . . . .	5-24
Displaying the Current Switches . . . . .	5-25
Changing RAIDset and Mirrorset Switches . . . . .	5-25
Changing Device Switches . . . . .	5-25

Changing Initialize Switches.....	5-25
Changing Unit Switches .....	5-25

## *Chapter 6*

### **Configuration Example Using CLI**

CLI Configuration Example.....	6-1
--------------------------------	-----

## *Chapter 7*

### **Backing Up the Subsystem, Cloning Data for Backup, and Moving Stagesets**

Backing Up the Subsystem Configuration .....	7-1
Cloning Data for Backup.....	7-2
Moving Stagesets .....	7-6

## *Appendix A*

### **Subsystem Profile Templates**

Stageset Profile.....	A-2
Storage Map Template 1 .....	A-3
Storage Map Template 2 .....	A-4
Storage Map Template 3 .....	A-5

## *Appendix B*

### **Installing, Configuring, and Removing the Client**

Why Install the Client? .....	B-1
Before You Install the Client.....	B-2
Installing the Client .....	B-2
Troubleshooting the Client Installation.....	B-3
Invalid Network Port Assignments	
During Installation .....	B-3
“There is no disk in the drive” Message.....	B-4
Adding the Storage Subsystem and its Host to the Navigation Tree.....	B-5
Removing the Command Console Client .....	B-7
Where to Find Additional Information .....	B-8
About the User Guide.....	B-8
About the Online Help .....	B-8

## **Index**

## Figures

Figure 1-1. Location of controllers and cache modules . . . . .	1-2
Figure 1-2. “This controller” and “other controller” . . . . .	1-3
Figure 1-3. Transparent failover - normal operation . . . . .	1-5
Figure 1-4. Transparent failover - after failover from controller B to controller A . . . . .	1-6
Figure 1-5. Typical multiple-bus configuration . . . . .	1-8
Figure 1-6. Mirrored caching . . . . .	1-10
Figure 1-7. Connections in separate-link, transparent failover mode configurations . . . . .	1-14
Figure 1-8. Connections in single-link, transparent failover mode configurations . . . . .	1-15
Figure 1-9. Connections in multiple-bus failover mode . . . . .	1-16
Figure 1-10. LUN presentation to hosts, as determined by offset . . . . .	1-18
Figure 1-11. Limiting host access in transparent failover mode . . . . .	1-23
Figure 1-12. Limiting host access in multiple-bus failover mode . . . . .	1-26
Figure 1-13. Placement of the worldwide name label . . . . .	1-30
Figure 2-1. PTL naming convention . . . . .	2-4
Figure 2-2. PTL addressing in a single-bus configuration, using two shelves . . . . .	2-5
Figure 2-3. PTL addressing in a dual-bus configuration . . . . .	2-5
Figure 2-4. Mapping a unit to physical disk drives . . . . .	2-6
Figure 2-5. Container types . . . . .	2-7
Figure 2-6. An example storageset profile . . . . .	2-10
Figure 2-7. A 3-member RAID 0 stripeset (example 1) . . . . .	2-11
Figure 2-8. A 3-member RAID 0 stripeset (example 2) . . . . .	2-12
Figure 2-9. Mirrorsets maintain two copies of the same data . . . . .	2-14
Figure 2-10. Mirrorset example 2 . . . . .	2-14
Figure 2-11. A five member RAIDset using parity . . . . .	2-16
Figure 2-12. Striped mirrorset (example 1) . . . . .	2-17



Figure 2–13. Striped mirrorset (example 2) . . . . .	2–18
Figure 2–14. One example of a partitioned single-disk unit . . . . .	2–19
Figure 2–15. Chunk size larger than the request size . . . . .	2–25
Figure 2–16. Chunk size smaller than the request size . . . . .	2–26
Figure 2–17. Example storage map-single bus . . . . .	2–29
Figure 2–18. Example storage map-dual bus . . . . .	2–30
Figure 3–1. Single switch HP MC/ServiceGuard cluster, high availability configuration . . . . .	3–9
Figure 4–1. An example of a network connection. . . . .	4–4
Figure 5–1. Maintenance port connection . . . . .	5–2
Figure 5–2. Single controller cabling . . . . .	5–4
Figure 5–3. Controller pair failover cabling . . . . .	5–9
Figure 6–1. Example storage map . . . . .	6–2
Figure 6–2. Example system . . . . .	6–3
Figure 6–3. Example virtual layout from the hosts' point of view . . . . .	6–4
Figure 7–1. Steps the CLONE utility follows for duplicating unit members. . . . .	7-3
Figure B–1. Navigation window . . . . .	B–5
Figure B–2. Navigation window showing storage host system “Atlanta” . . . . .	B–6
Figure B–3. Navigation window showing expanded “Atlanta” host icon. . . . .	B–6

**x**    *MA6000 HSG60 Array Controller ACS Version 8.5c Solution Software for HP-UX Installation and Configuration Guide*

## **Tables**

Table 1–1 Unit Assignments and SCSI_VERSION .....	1–21
Table 2–1 A Comparison of Container Types .....	2–8
Table 2–2 Example Chunk Sizes .....	2–26
Table 4–1 SWCC Features and Components .....	4–2
Table 4–2 Installation and Configuration Overview .....	4–3
Table 4–3 Minimum HP-UX Host Requirements .....	4–5

# About This Guide

## Conventions

### Text Conventions

Table 1 Text Conventions	
Convention	Meaning
<b>Bold</b>	Keyboard keys appear in boldface. For example: <b>Enter/Return</b> or <b>Y</b> (es) key
SMALL CAPS	Used to indicate the status of an LED. For example: FLASHING on and off or ON steady
ALLCAPS	Command syntax that must be entered exactly as shown and for commands discussed within text, for example: SET FAILOVER COPY=OTHER_CONTROLLER “Use the SHOW SPARESET command to show the contents of the spareset.”
Monospaced	Screen display.
<i>italic</i>	User entered command variable or numeric value, for example: SHOW RAIDset-name or set this_controller id=(n,n,n,n, Reference to other publications, for example: “See the HSG60 Array Controller ACS Version 8.5 Release Notes for details.”

Table 1 Text Conventions (Continued)	
Convention	Meaning
.	Indicates that a portion of an example or figure has been omitted.
“this controller”	The controller serving the current CLI session through a local or remote terminal.
“other controller”	The controller in a dual-redundant pair that’s connected to the controller serving the current CLI session.

## Special Notices

This guide does not contain detailed descriptions of standard safety procedures. However, it does contain warnings for procedures that might cause personal injury and cautions for procedures that might damage the controller or its related components. Look for these symbols when performing the procedures in this guide:



**WARNING:** A warning indicates the presence of a hazard that can cause personal injury if precautions in the text are not observed.



**CAUTION:** A caution indicates the presence of a hazard that might damage hardware, corrupt software, or cause a loss of data.

**IMPORTANT:** An *important* note is a type of note that provides information essential to the completion of a task. Users can disregard information in a note and still complete a task, but they should not disregard an important note.

**NOTE:** A note provides additional information that is related to the completion of an instruction or procedure.

## Related Publications

The following table lists some of the documents related to the use of the controller, cache module, and external cache battery.

<b>Table 2 Relevant Publications</b>	
<b>Document Title</b>	<b>Part Number</b>
<i>Compaq StorageWorks HSG60/HSG80 Array Controller ACS Version 8.5 Maintenance and Service Guide</i>	EK-HSG84-SV. D01
<i>Compaq StorageWorks HSG60/HSG80 Array Controller ACS Version 8.5 CLI Reference Guide</i>	EK-HSG85-RG. B01
<i>Compaq StorageWorks Command Console Version 2.3 for the MA6000 User Guide</i>	AA-RMBDA-TE
<i>Compaq StorageWorks Fibre Channel Storage Switch Service Guide</i>	AA-RHBZA-TE / 135268-001
<i>Compaq StorageWorks Fibre Channel Storage Switch User Guide</i>	AA-RHBYA-TE / 135267-001
<i>Compaq StorageWorks Fibre Channel Switch Quick Setup Guide</i>	AA-RHC0A-TE / 135269-001
<i>Compaq StorageWorks KGPSA PCI-to-Fibre Channel Host Adapter</i>	EK-KGPSA-UG
<i>The RAIDBOOK—A Source Book for Disk Array Technology</i>	RAID Advisory Board: I.S.B.N 1-879936-90-9
<i>Enclosure 4200 Family LVD Disk Enclosures User Guide</i>	EK-SW2ZS-UA.B01 / 148451-002
<i>Model 2100 and 2200 Ultra SCSI Controller Enclosure</i>	EK-SE2C8-UA.B01 / 127422-002

## Revision History

First Release: June 2000



# Chapter 1

## Planning a Subsystem

This chapter provides information that helps you plan the configuration of the subsystem. Read Chapter 2 to plan the types of storage containers you need.

This chapter frequently references the command line interface (CLI). For the complete syntax and descriptions of the CLI commands, see the *Compaq StorageWorks HSG60/HSG80 Array Controller ACS Version 8.5 CLI Reference Guide*.

The following information is included in this chapter:

- “Controller Designations A and B,” page 1–2
- “Selecting a Failover Mode,” page 1–4
- “Selecting a Cache Mode,” page 1–9
- “Enabling Mirrored Caching,” page 1–10
- “The Command Console LUN,” page 1–11
- “Connections,” page 1–12
- “Assigning Unit Numbers,” page 1–17
- “Restricting Host Access (Selective Storage Presentation),” page 1–22
- “Worldwide Names (Node IDs and Port IDs),” page 1–29

## Controller Designations A and B

The terms A, B, “this controller,” and “other controller” are used to distinguish one controller from another in a two-controller (also called dual-redundant) subsystem. These terms are described in the following sections.

Controllers and cache modules are designated either A or B depending on their location in the enclosure, as shown in Figure 1-1.

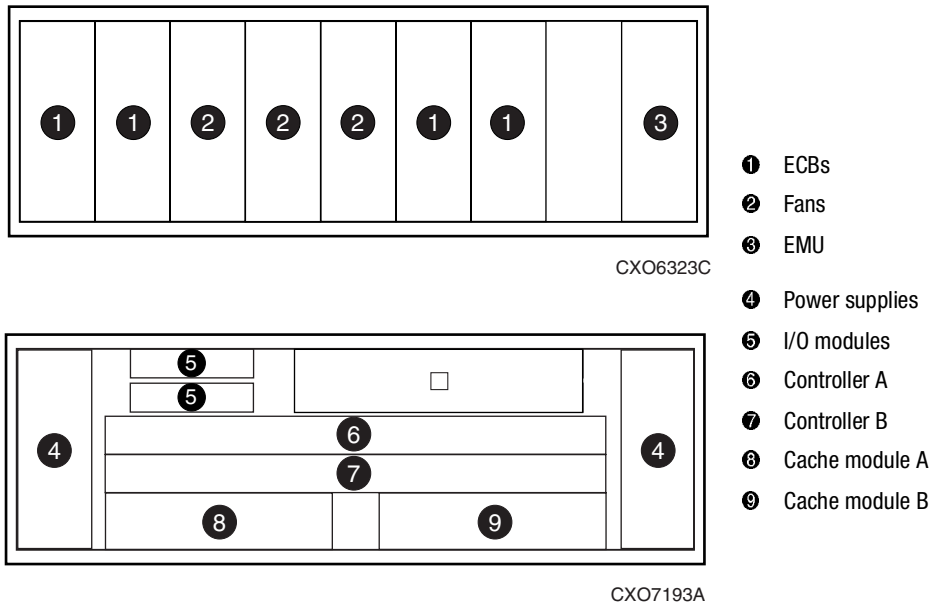


Figure 1-1. Location of controllers and cache modules

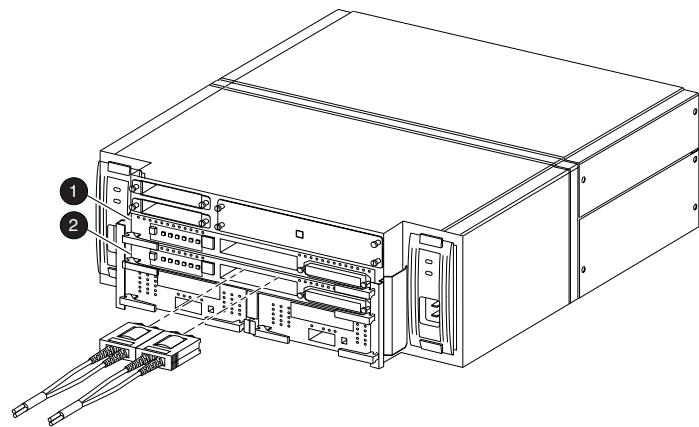


## Controller Designations “This Controller” and “Other Controller”

Some CLI commands use the terms “this” and “other” to identify one controller or the other in a dual-redundant pair. These designations are a shortened form of “this controller” and “other controller.” These terms are defined as follows:

- **“this controller”**—the controller that is the focus of the CLI session. “This controller” is the controller to which the maintenance terminal is attached and through which the CLI commands are being entered. “This controller” can be shortened to “this” in CLI commands.
- **“other controller”**—the controller that is not the focus of the CLI session and through which CLI commands are not being entered. “Other controller” can be shortened to “other” in CLI commands.

Figure 1-2 shows the relationship between “this controller” and “other controller.”



① This controller                      ② Other controller

Figure 1-2. “This controller” and “other controller”

## Selecting a Failover Mode

Failover is a way to keep the storage array available to the host if one controller becomes unresponsive. A controller can become unresponsive because of a hardware failure such as a host bus adapter or controller or, in multiple-bus only, to a failure of the link between host and controller. Failover keeps the storage array available to the hosts by allowing the surviving controller to take over total control of the subsystem.

There are two failover modes:

- **transparent**, which is handled by the surviving controller and is transparent (invisible) to the hosts
- **multiple-bus**, which is handled by the hosts

Either mode of failover can work with loop or fabric topology.

## Transparent Failover Mode

Transparent failover mode has the following characteristics:

- hosts do not know failover has taken place
- units are divided between host ports 1 and 2

A unit or storage unit is a physical or virtual device in the MA6000 RAID system. It is typically assigned a logical unit number (LUN) and is managed by the HSG60 controller and presented to a server through the Fibre Channel bus and server's host bus adapter. Disks which are set up as JBODs or RAIDsets are referred to as storage sets. Storage sets are units.

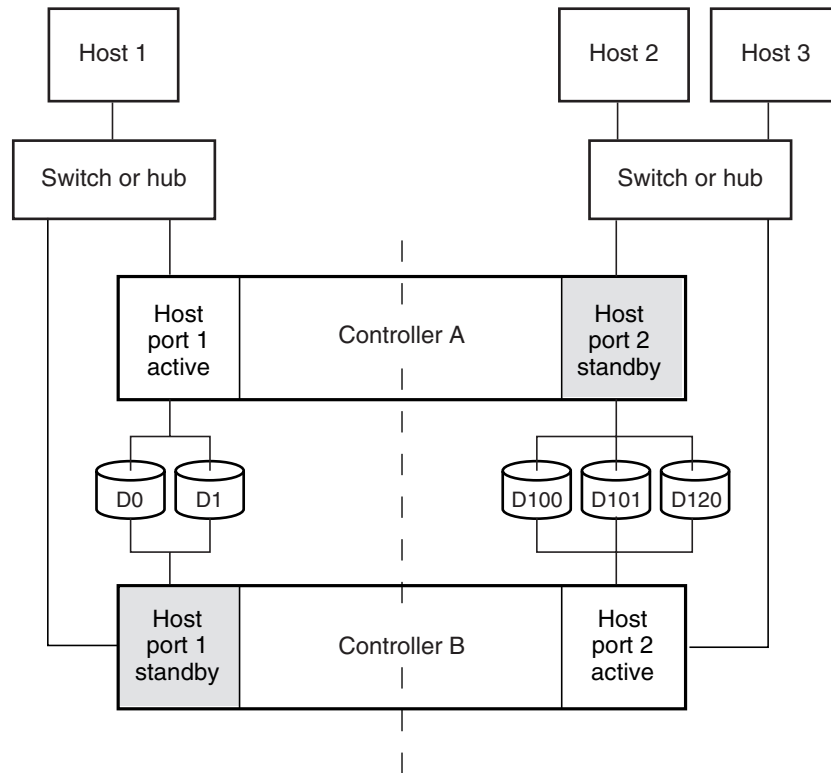
In transparent failover mode, host port 1 of controller A and host port 1 of controller B must be on the same Fibre Channel link. Host port 2 of controller A and host port 2 of controller B must also be on the same Fibre Channel link. Depending on operating system restrictions and requirements, the port 1 link and the port 2 link can be separate links, or they can be the same link.

At any one time, host port 1 is active on only one controller and host port 2 is active on only one controller. The other ports are in standby mode. In normal operation, controller A's port 1 is active and controller B's port 2 is active. A representative configuration is shown in Figure 1-3. The active and standby ports share port identity, enabling the standby port to take over for the active one. If one controller fails, its companion controller (known as the surviving controller) takes over control by making both its host ports active, as shown in Figure 1-4.

Units are divided between the host ports:

- Units 0-99 are on host port 1 of both controllers (but accessible only through the active port)
- Units 100-199 are on host port 2 of both controllers (but accessible only through the active port)

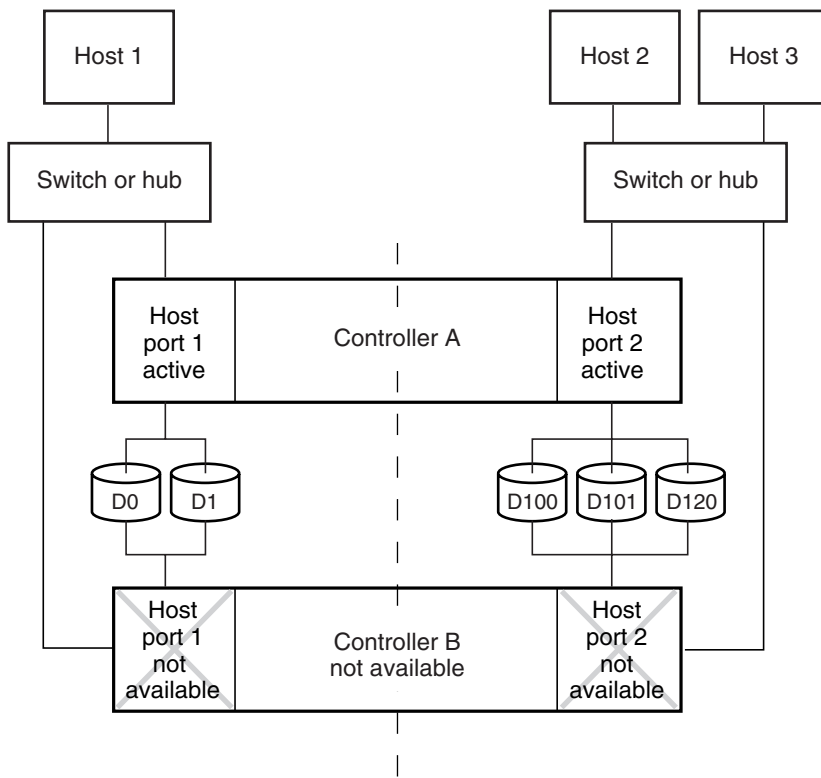
The limitation of transparent failover is that it only compensates for a controller failure, and not for failures of either the Fibre Channel link or host Fibre Channel adapters.



CXO7036A

Figure 1-3. Transparent failover - normal operation

**1-6** MA6000 HSG60 Array Controller ACS Version 8.5c Solution Software for HP-UX Installation and Configuration Guide



CXO7035A

Figure 1-4. Transparent failover - after failover from controller B to controller A

## Multiple-Bus Failover Mode

Multiple-bus failover mode has the following characteristics:

- host controls the failover process by moving the unit(s) from one controller to another
- all units (0 through 199) are visible at all host ports
- each host has two or more paths to the units

Each host must have special software to control failover. With this software, the host sees the same units visible through two (or more) paths. When one path fails, the host can issue commands to move the units from one path to another. A typical multiple-bus failover configuration is shown in Figure 1-5.

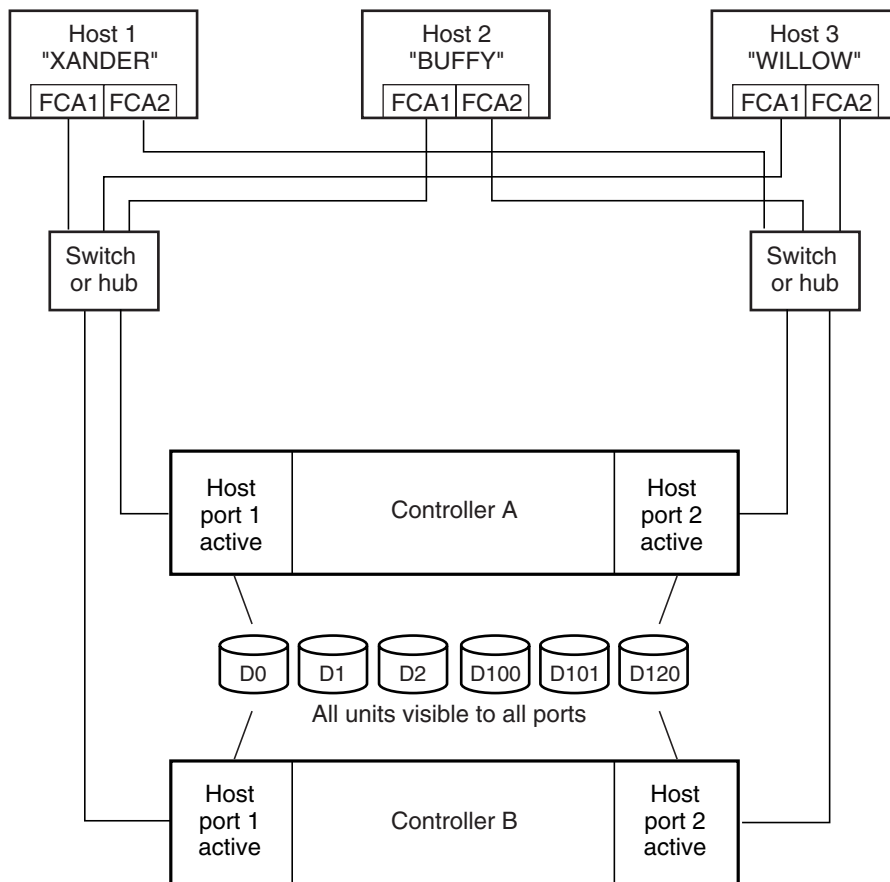
In multiple-bus failover mode, you can specify which units are normally serviced by a specific controller of a controller pair. This process is called preferring or preferment. Units can be preferred to one controller or the other by the *PREFERRED\_PATH* switch of the ADD (or SET) UNIT command. For example, use the following command to prefer unit D101 to 'this controller':

```
SET D101 PREFERRED_PATH=THIS_CONTROLLER
```

**NOTE:** This is an initial preference, which can be overridden by the hosts.

Keep the following points in mind when configuring controllers for multiple-bus failover:

- multiple-bus failover can compensate for a failure in any of the following:
  - controller
  - switch or hub
  - Fibre Channel link
  - host Fibre Channel adapter
- a host can re-distribute the I/O load between the controllers
- all hosts must have operating-system software that supports multiple-bus failover mode



NOTE: FCA = Fibre Channel Adapter

CXO7094A

Figure 1-5. Typical multiple-bus configuration

## Selecting a Cache Mode

The cache module supports read, read-ahead, write-through, and write-back caching techniques. Cache technique is selected separately for each unit. For example, you can enable only read and write-through caching for some units while enabling only write-back caching for other units.

### Read Caching

When the controller receives a read request from the host, it reads the data from the disk drives, delivers it to the host, and stores the data in its cache module. Subsequent reads for the same data will take the data from cache rather than accessing the data from the disks. This process is called read caching.

Read caching can give improved response time to many of the host's read requests. By default, read caching is enabled for all units.

### Read-Ahead Caching

During read-ahead caching, the controller anticipates subsequent read requests and begins to prefetch the next blocks of data from the disks as it sends the requested read data to the host. This is a parallel action. The controller notifies the host of the read completion, and subsequent sequential read requests are satisfied from the cache memory. By default, read-ahead caching is enabled for all units.

### Write-Back Caching

Write-back caching improves the subsystem's response time to write requests by allowing the controller to declare the write operation complete as soon as the data reaches cache memory. The controller performs the slower operation of writing the data to the disk drives at a later time.

By default, write-back caching is enabled for all units, but only if there is a backup power source for the cache modules (either batteries or an uninterruptable power supply).

## Write-Through Caching

When the controller receives a write request from the host, it places the data in its cache module, writes the data to the disk drives, then notifies the host when the write operation is complete. This process is called write-through caching because the data actually passes through—and is stored in—the cache memory on its way to the disk drives. Write-through caching is enabled when write-back caching is disabled.

## Enabling Mirrored Caching

In mirrored caching, half of each controller's cache mirrors the companion controller's cache, as shown in Figure 1-6.

The total memory available for cached data is reduced by half, but the level of protection is greater.

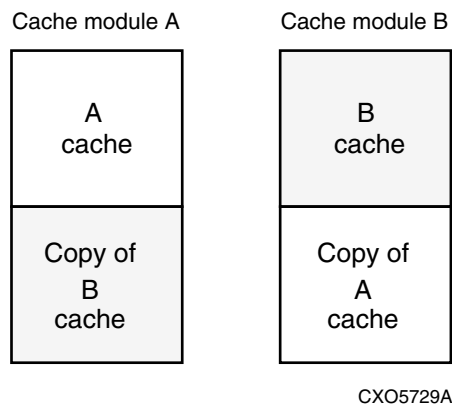


Figure 1-6. Mirrored caching

Before enabling mirrored caching, make sure the following conditions are met:

- both controllers support the same size cache
- diagnostics indicates that both caches are good
- no unit errors are outstanding, for example, lost data or data that cannot be written to devices
- both controllers are started and configured in failover mode



## The Command Console LUN

StorageWorks Command Console (SWCC) Software communicates with HSG60 controllers through an existing storage unit, or LUN (logical unit number). The dedicated LUN that SWCC uses is called the CCL (Command Console LUN). CCL serves as the communication device for the HS-Series Agent and identifies itself to the host by a unique identification string. By default, a CCL device is enabled within the HSG60 controller on Host Port 1. There are two modes that HSG60 uses, SCSI-2 and SCSI-3. The Command Console LUN (CCL) does the following:

- Allows the RAID Array to be recognized by the host as soon as it is attached to the SCSI bus and configured into the operating system
- Serves as a communications device for the HS-Series Agent. The CCL identifies itself to the host by a unique identification string

In general, you will need to create a storageset to be used as a CCL for Port 2. This is a requirement for the HS-Series Agent.

In dual-redundant controller configurations, the following commands alter the setting of the CCL on both controllers. The CCL is enabled only on Host Port 1. At least one storage device must be configured on Host Port 2 before installing the Agent on a host connected to Host Port 2. This can be any type of storage device.

Select a storageset that you plan to configure and that is not likely to change. This storageset can be used by the Agent to communicate with the RAID Array. Deleting this storageset (LUN) later breaks the connection between the Agent and the RAID Array.

## Determining the Address of the CCL

The default is for the CCL to be enabled. Its address can be determined by entering the following CLI command:

```
HSG60 > SHOW THIS_CONTROLLER
```

## In SCSI II Mode:

### Disabling the CCL

To disable the CCL, enter the following CLI command:

```
HSG60 > SET THIS_CONTROLLER NOCOMMAND_CONSOLE_LUN
```

### Enabling the CCL

To enable the CCL, enter the following CLI command:

```
HSG60 > SET THIS_CONTROLLER COMMAND_CONSOLE_LUN
```

To see the state of the CCL, use the SHOW “this controller”/ “other controller” command. Because the CCL is not an actual LUN, the SHOW UNITS command will not display the CCL location.

## In SCSI III Mode:

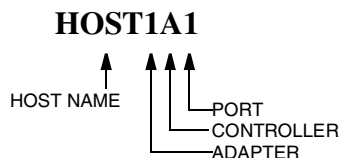
The CCL is enabled all the time. There is no option to enable/disable.

## Connections

The term “connection” applies to every path between a Fibre Channel adapter in a host computer and an active host port on a controller.

## Naming Connections

Compaq highly recommends that you assign names to connections that have meaning in the context of your particular configuration. One system that works well is to name each connection after its host, its adapter, its controller, and its controller host port, as follows:



**Examples:**

A connection from the first adapter in host SPGS that goes to port 1 of controller A would be called SPGS1A1.

A connection from the third adapter in host LONDON that goes to port 2 of controller B would be called LONDON3B2.

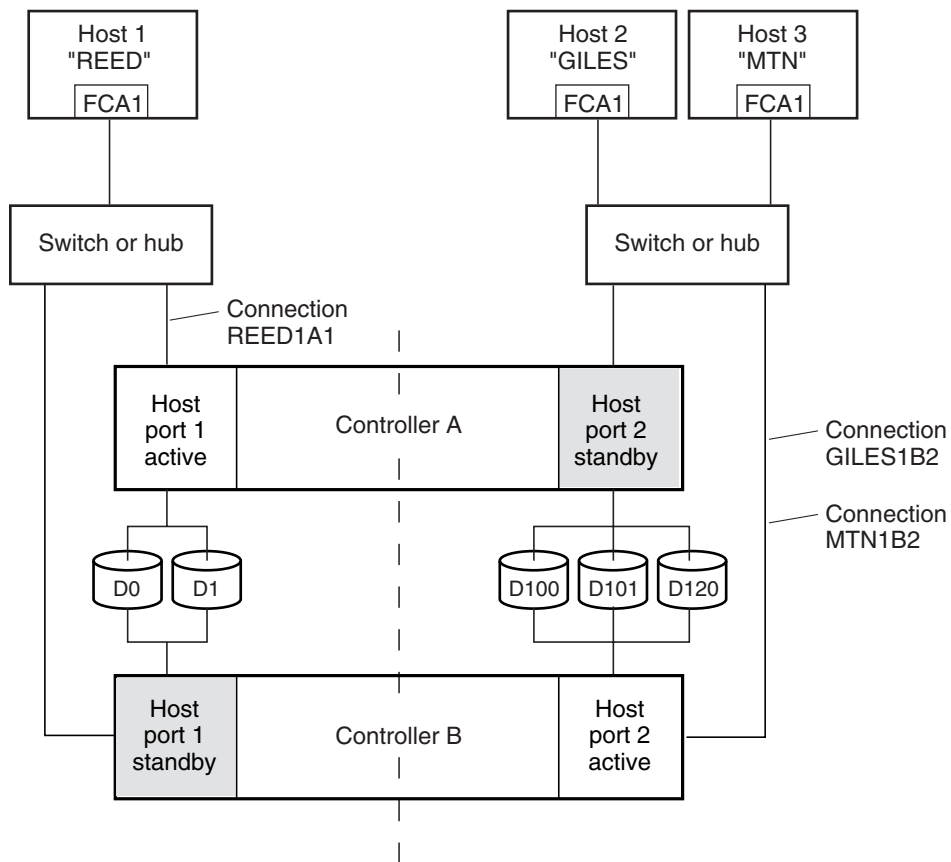
**NOTE:** Connection names can have a maximum of 9 characters.

## Numbers of Connections

The number of connections resulting from cabling one adapter into a switch or hub depends on failover mode and how many links the configuration has:

- If a controller pair is in transparent failover mode and the port 1 link is separate from the port 2 link (that is, ports 1 of both controllers are on one loop or fabric, and port 2 of both controllers are on another), each adapter will have one connection, as shown in Figure 1-7.
- If a controller pair is in transparent failover mode and port 1 and port 2 are on the same link (that is, all ports are on the same loop or fabric), each adapter will have two connections, as shown in Figure 1-8.
- If a controller pair is in multiple-bus failover mode, each adapter has two connections, as shown in Figure 1-9.

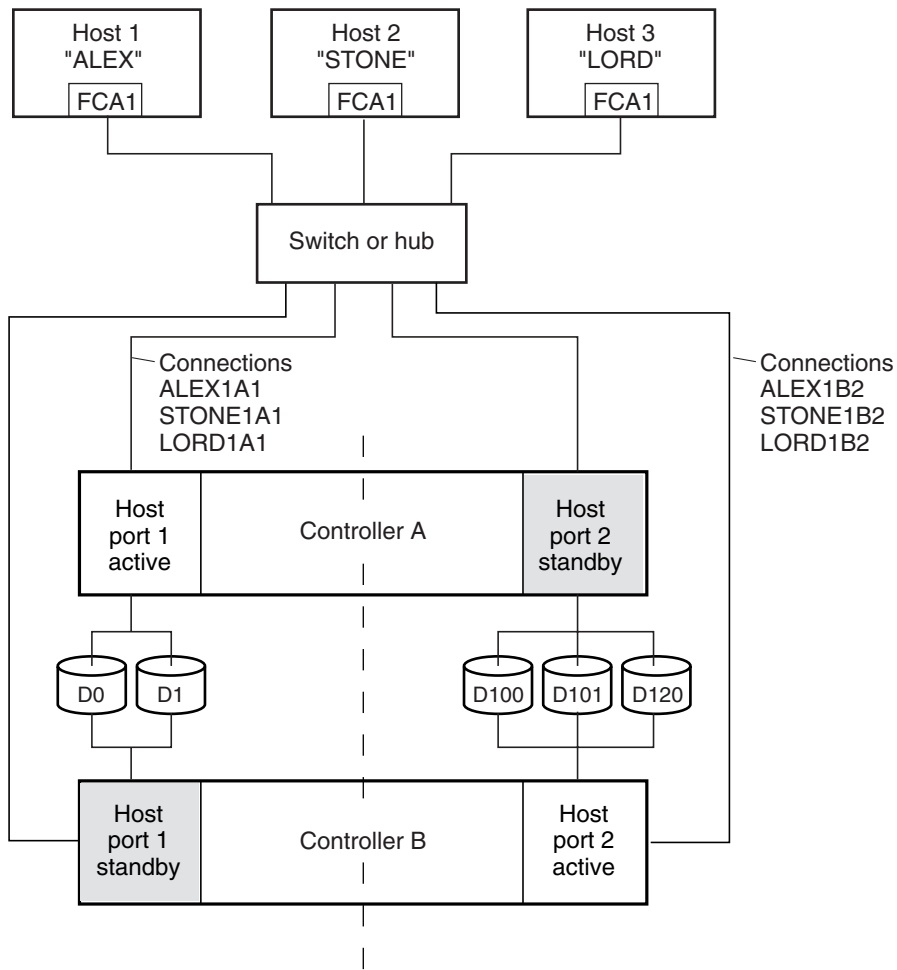
**1-14** MA6000 HSG60 Array Controller ACS Version 8.5c Solution Software for HP-UX Installation and Configuration Guide



NOTE: FCA = Fibre Channel Adapter

CXO7081A

Figure 1-7. Connections in separate-link, transparent failover mode configurations

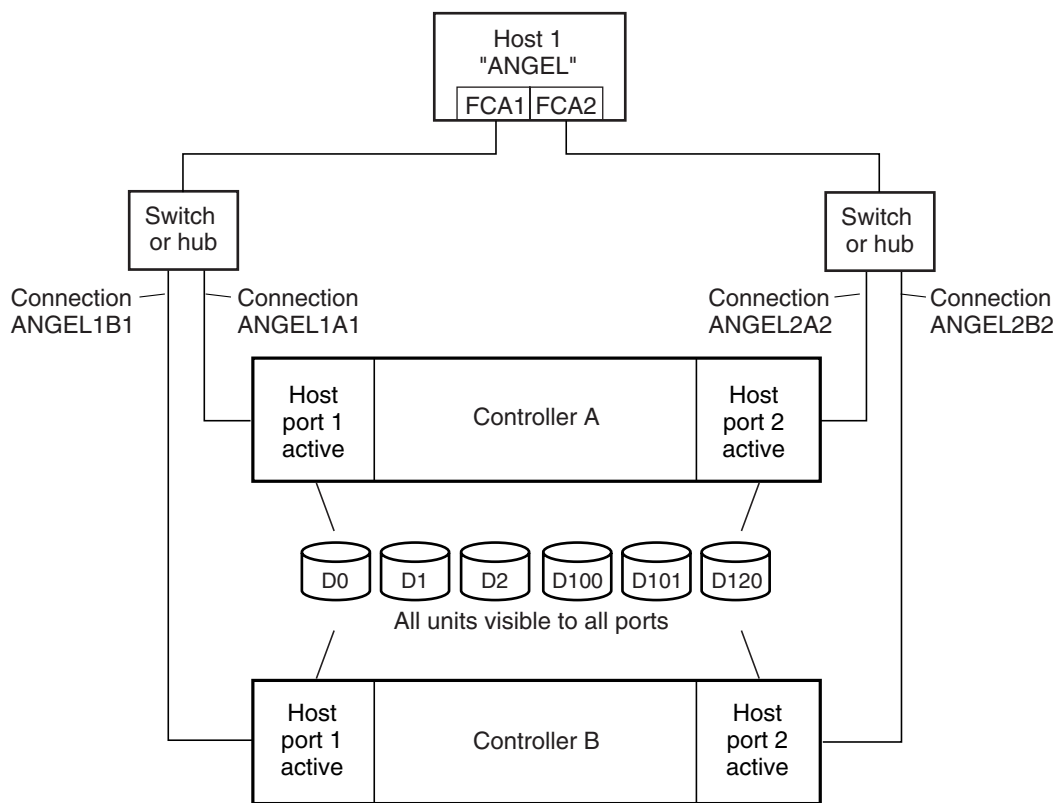


NOTE: FCA = Fibre Channel Adapter

CXO7079A

Figure 1-8. Connections in single-link, transparent failover mode configurations

**1-16** MA6000 HSG60 Array Controller ACS Version 8.5c Solution Software for HP-UX Installation and Configuration Guide



NOTE: FCA = Fibre Channel Adapter

CXO7080A

Figure 1-9. Connections in multiple-bus failover mode

## Assigning Unit Numbers

The controller keeps track of the unit with the unit number. Unit number can be from 0 - 199 prefixed by a D, which stands for disk drive. A unit can be presented as different LUNs to different connections. The interaction of a unit and a connection is determined by several factors:

- failover mode of the controller pair
- the *ENABLE\_ACCESS\_PATH* and *PREFERRED\_PATH* switches in the *ADD UNIT* (or *SET unit*) commands
- the *UNIT\_OFFSET* switch in the *ADD CONNECTIONS* (or *SET connections*) commands
- which controller port the connection is attached to
- the *SCSI\_VERSION* switch of the *SET this\_controller/other\_controller* command

The considerations for assigning unit numbers are discussed in the following sections.

## Matching Units to Host Connections in Transparent Failover Mode

In transparent failover mode, the *ADD UNIT* command creates a unit for host connection(s) to access and assigns it to either port 1 of both controllers or to port 2 of both controllers.

Unit numbers are assigned to ports as follows:

- 0 - 99 are assigned to host port 1 of both controllers
- 100 - 199 are assigned to host port 2 of both controllers

For example, unit D2 is on port 1 and unit D102 is on port 2.

What LUN number a host connection assigns to a unit is a function of the *UNIT\_OFFSET* switch of the *ADD* (or *SET*) *CONNECTIONS* command. The relationship of offset, LUN number, and unit number is as follows:

$$\text{LUN number} = \text{unit number} - \text{offset}$$

- LUN number is relative to the host (what the host sees the unit as)
- unit number is relative to the controller (what the controller sees the unit as)

**1-18** MA6000 HSG60 Array Controller ACS Version 8.5c Solution Software for HP-UX Installation and Configuration Guide

If no value is specified for offset, then connections on port 1 have a default offset of 0 and connections on port 2 have a default offset of 100.

For example, if all host connections use the default offset values, unit D2 will be presented to a port 1 host connection as LUN 2 (unit number of 2 minus offset of 0). Unit 102 will be presented to a port 2 host connection as LUN 2 (unit number of 102 minus offset of 100).

Figure 1-10 shows how units are presented as different LUNs, depending on the offset of the host. In this illustration, host connection 1 and host connection 2 would need to be on host port 1; host connection 3 would need to be on host port 2.

Controller units	Host connection 1 Offset: 0	Host connection 2 Offset: 20	Host connection 3 Offset: 100
D0	LUN 0		
D1	LUN 1		
D2	LUN 2		
D3	LUN 3		
D20	LUN 20	LUN 0	
D21	LUN 21	LUN 1	
D100			LUN 0
D101			LUN 1
D102			LUN 2
D130			LUN 30
D131			LUN 31

CXO6455B

Figure 1-10. LUN presentation to hosts, as determined by offset

Offsets other than the default values can be specified. For example, unit D17 would be visible to a host connection on port 1 that had an offset of 10 as LUN 7 (unit number of 17 minus offset of 10). The unit would not be visible at all to a host connection with a unit offset of 18 or greater, because that offset is not within the units range (unit number of 17 minus offset of 18 is a negative number).

Similarly, unit D127 would be visible to a host connection on port 2 that had an offset of 120 as LUN 7 (unit number of 127 minus offset of 120). The unit would not be visible at all to a host connection with a unit offset of 128 or greater, because that offset is not within the units range (unit number of 127 minus offset of 128 is a negative number).



An additional factor to consider when assigning unit numbers and offsets is SCSI version. If the *SCSI\_VERSION* switch of the SET *this\_controller/other\_controller* command is set to SCSI-3, the Command Console LUN (CCL) is presented as LUN 0 to every connection, superseding any unit assignments. The interaction between SCSI version and unit numbers is explained further in “Assigning Unit Numbers Depending on SCSI\_VERSION” on page 1-20.

In addition, the access path to the host connection must be enabled for the connection to access the unit. See “Restricting Host Access in Transparent Failover Mode,” page 1-22.

## Matching Units to Host Connections in Multiple-bus Failover Mode

In multiple-bus failover mode, the ADD UNIT command creates a unit for host connections to access. All unit numbers (0 through 199) are potentially visible on all four controller ports, but are accessible only to those host connections for which access path is enabled and which have offsets in the unit's range.

What LUN number a host connection assigns to a unit is a function of the *UNIT\_OFFSET* switch of the ADD (or SET) CONNECTIONS command. The default offset is 0. The relationship of offset, LUN number, and unit number is as follows:

$$\text{LUN number} = \text{unit number} - \text{offset}$$

- LUN number is relative to the host (what the host sees the unit as)
- unit number is relative to the controller (what the controller sees the unit as)

For example, unit D17 would be visible to a host connection with an offset of 0 as LUN 17 (unit number of 17 minus offset of 0). The same unit would be visible to a host connection with an offset of 10 as LUN 7 (unit number of 17 minus offset of 10). The unit would not be visible at all to a host connection with a unit offset of 18 or greater, because that offset is not within the units range (unit number of 17 minus offset of 18 is a negative number).

In addition, the access path to the host connection must be enabled for the connection to access the unit. This is done through the *ENABLE\_ACCESS\_PATH* switch of the ADD UNIT (or SET *unit*) command.

Which controller of a dual-redundant pair initially accesses the unit is determined by the *PREFERRED\_PATH* switch of the ADD UNIT (or SET *unit*) command. Initially *PREFERRED\_PATH* determines which controller presents the unit as Ready. The other controller presents the unit as Not Ready. Hosts can issue a SCSI Start Unit command to move the unit from one controller to the other.

## **Assigning Unit Numbers Depending on *SCSI\_VERSION***

The *SCSI\_VERSION* switch of the *SET this/other controller* command determines how the Command Console LUN (CCL) is presented. There are two choices: SCSI-2 and SCSI-3. The choice for *SCSI\_VERSION* effects how certain unit numbers and certain host connection offsets interact.

### **The CCL in SCSI-3 mode**

If *SCSI\_VERSION* is set to SCSI-3, the CCL is presented as LUN 0 to all connections. The CCL supersedes any other unit assignment. Therefore, in SCSI-3 mode, a unit that would normally be presented to a connection as LUN 0 is not visible to that connection at all.

The following are recommendations for assigning host connection offsets and unit numbers in SCSI-3 mode:

- Offsets should be divisible by 10 (for consistency and simplicity)
- Unit numbers should not be assigned at connection offsets (to avoid being masked by the CCL at LUN 0)

For example, if a host connection has an offset of 20 and SCSI-3 mode is selected, the connection will see LUNs as follows:

- LUN 0 - CCL
- LUN 1 - unit 21
- LUN 2 - unit 22, etc.

In this example, if a unit 20 is defined, it will be superseded by the CCL and invisible to the connection.

### The CCL in SCSI-2 Mode

Some operating systems expect or require a disk unit to be at LUN 0. In this case, it is necessary to specify SCSI-2 mode.

If *SCSI\_VERSION* is set to SCSI-2 mode, the CCL floats, moving to the first available LUN location, depending on the configuration.

Recommendations for assigning host connection offsets and unit numbers in SCSI-2 mode are as follows:

- Offsets should be divisible by 10 (for consistency and simplicity)
- Unit numbers should be assigned at connection offsets (so that every host connection has a unit presented at LUN 0)

Table 1–1 summarizes the recommendations for unit assignments based on the *SCSI\_VERSION* switch.

<b>SCSI_VERSION</b>	<b>Offset</b>	<b>Unit Assignment</b>	<b>What the connection sees LUN 0 as</b>
SCSI-2	Divisible by 10	At offsets	Unit whose number matches offset
SCSI-3	Divisible by 10	Not at offsets	CCL

## Restricting Host Access (Selective Storage Presentation)

In a subsystem that is attached to more than one host or if the hosts have more than one adapter, it is possible to reserve certain units for the exclusive use of certain host connections.

For a controller pair, the method used to restrict host access depends on whether the controllers are in transparent or multiple-bus failover mode. For a single controller, the methods are the same as for a controller pair in transparent failover.

### Restricting Host Access in Transparent Failover Mode

Three methods can be used to restrict host access to storage units in transparent failover mode:

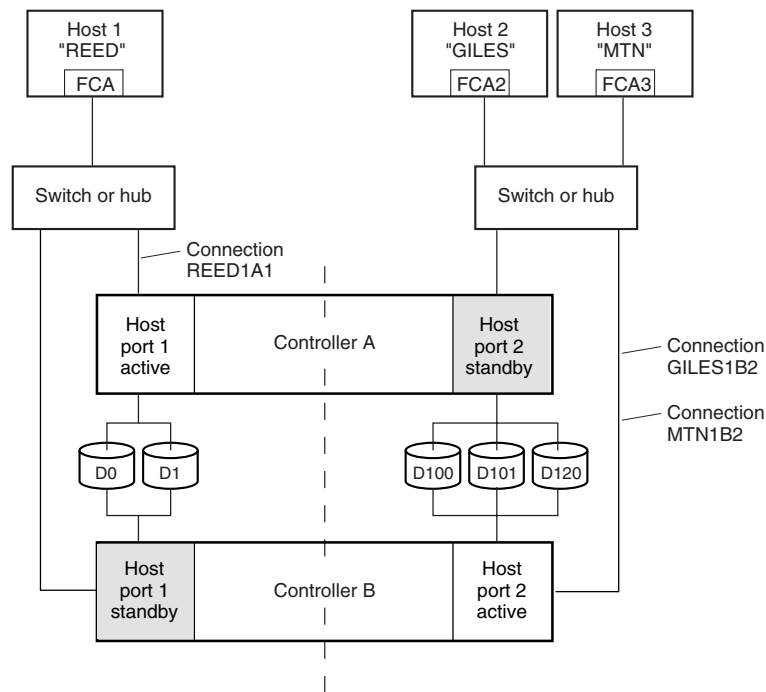
- Using separate Fibre Channel links (either loop or fabric)
- Enabling the access path of selected host connections on a shared loop or fabric
- Setting offsets

**NOTE:** These techniques also work for a single controller.

### Restricting Host Access by Separate Links

In transparent failover mode, host port 1 of controller A and host port 1 of controller B share a common Fibre Channel link. Host port 2 of controller A and host port 2 of controller B also share a common Fibre Channel link. If the host 1 link is separate from the host 2 link, the simplest way of limiting host access is to have one host or set of hosts on the port 1 link, and another host or set of hosts on the port 2 link. Each host can then see only units assigned to its respective controller port. This separation of host buses is shown in Figure 1-11. This method applies only if the host 1 link and host 2 link are separate links.

**NOTE:** Compaq highly recommends that you still give access to only specific connections. That way, if new connections are added, they will not have automatic access to all units. See "Restricting Host Access by Disabling Access Paths," page 1-23.



NOTE: FCA = Fibre Channel Adapter

CX07081A

Figure 1-11. Limiting host access in transparent failover mode

### Restricting Host Access by Disabling Access Paths

If more than one host is on a link (that is, attached to the same port), host access can be limited by enabling the access of certain host connections and disabling the access of others. This is done through the *ENABLE\_ACCESS\_PATH* and *DISABLE\_ACCESS\_PATH* switches of the *ADD UNIT* or *SET unit* commands. Access path is a unit switch, meaning it must be specified for each unit. Default access is for the unit to be accessible to all hosts.

#### Example:

In Figure 1-11, restricting the access of unit D101 to host 3, the host named MTN, can be done by enabling only the connection to host 3. Enter the following commands:

```
SET D101 DISABLE_ACCESS_PATH=ALL
SET D101 ENABLE_ACCESS_PATH=MTN1B2
```

If the storage subsystem has more than one host connection, carefully specify the access path to avoid giving undesirable host connections access to the unit. The default condition for a unit is that access paths to all host connections are enabled. To restrict host access to a set of host connections, specify `DISABLE_ACCESS_PATH=ALL` for the unit, then specify the set of host connections that are to have access to the unit.

Enabling the access path to a particular host connection does not override previously enabled access paths. All access paths previously enabled are still valid; the new host connection is simply added to the list of connections that can access the unit.

The procedure of restricting access by enabling all access paths then disabling selected paths is particularly not recommended because of the potential data/security breach that occurs when a new host connection is added.

### Restricting Host Access by Offsets

Offsets establish the start of the range of units that a host connection can access.

#### Example:

In Figure 1-11, assume both host connections on port 2 (connections GILES1B2 and MTN1B2) initially have the default port 2 offset of 100. Setting the offset of connection MTN1B2 to 120 will present unit D120 to host MTN as LUN 0.

```
SET MTN1B2 UNIT_OFFSET=120
```

Host MTN cannot see units lower than its offset, so it cannot access units D100 and D101. However, host GILES can still access D120 as LUN 20 if the operating system permits. To restrict access of D120 to only host MTN, enable only host MTN's access, as follows:

```
SET D120 DISABLE_ACCESS_PATH=ALL
```

```
SET D120 ENABLE_ACCESS_PATH=MTN1B2
```

**NOTE:** It is highly recommended that you still give access to only specific connections, even if there is just one connection on the link. That way, if new connections are added, they will not have automatic access to all units.

### Restricting Host Access in Multiple-Bus Failover Mode

In multiple-bus mode, the units assigned to any port are visible to all ports.

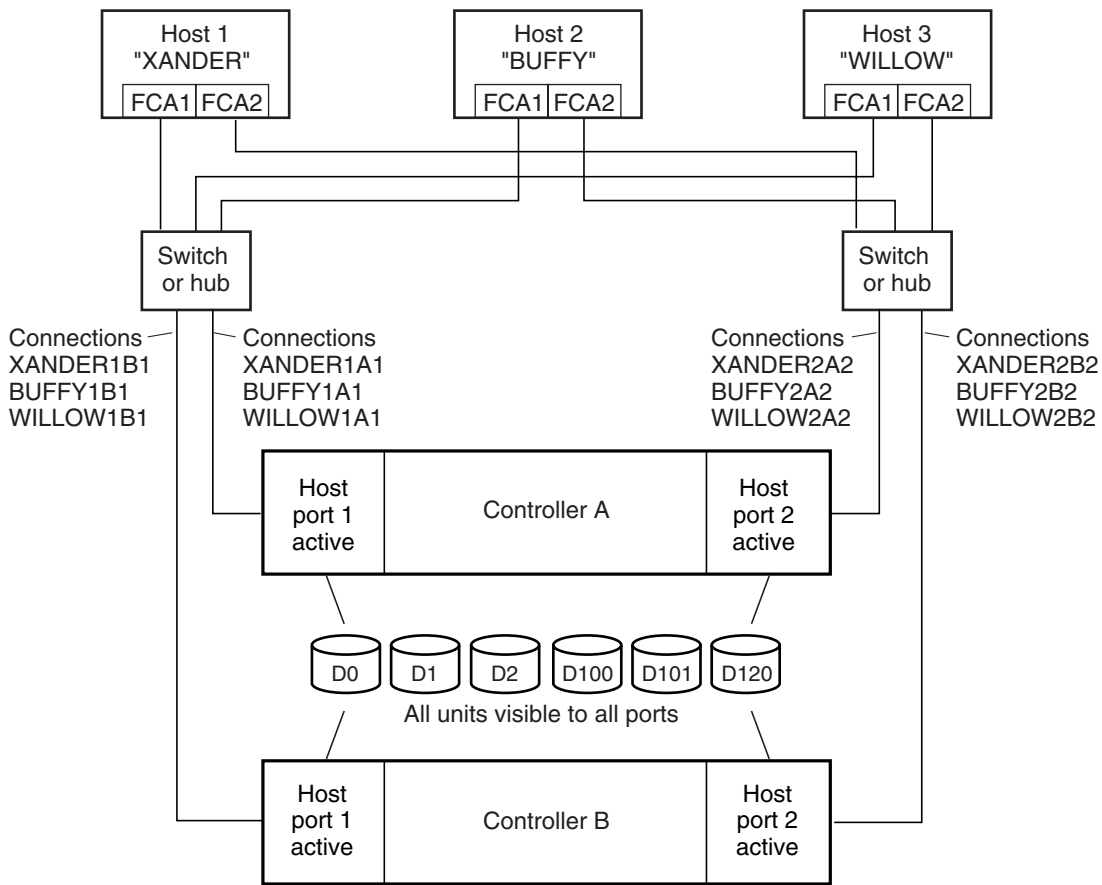
There are two ways to limit host access in multiple-bus failover mode:

- Enabling the access path of selected host connections

- Setting offsets

### **Restricting Host Access by Disabling Access Paths**

Host access can be limited by enabling the access of certain host connections and disabling the access of others. This is done through the *ENABLE\_ACCESS\_PATH* and *DISABLE\_ACCESS\_PATH* switches of the `ADD UNIT` or `SET unit` commands. Access path is a unit switch, meaning it must be specified for each unit. Default access is for the unit to be accessible to all hosts. Also, it is important to remember that at least two paths between the unit and the host must be enabled in order for multiple-bus failover to work.



NOTE: FCA = Fibre Channel Adapter

CXO7078A

Figure 1-12. Limiting host access in multiple-bus failover mode



**Example:**

Figure 1-12 shows a representative multiple-bus failover configuration. Restricting the access of unit D101 to host WILLOW can be done by enabling only the connections to host WILLOW. At least two connections must be enabled for multiple-bus failover to work. For most operating systems, it is desirable to have all connections to the host enabled. To enable all connections for host WILLOW, enter the following commands:

```
SET D101 DISABLE_ACCESS_PATH=ALL
SET D101 ENABLE_ACCESS_PATH=(WILLOW1A1,WILLOW1B1,WILLOW2A2,WILLOW2B2)
```

To enable only two connections for host WILLOW (if it is a restriction of the operating system), select two connections that use different adapters, different switches or hubs, and different controllers:

```
SET D101 DISABLE_ACCESS_PATH=ALL
SET D101 ENABLE_ACCESS_PATH=(WILLOW1A1,WILLOW2B2)
```

or

```
SET D101 DISABLE_ACCESS_PATH=ALL
SET D101 ENABLE_ACCESS_PATH=(WILLOW1B1,WILLOW2A2)
```

If the storage subsystem has more than one host connection, access path must be specified carefully to avoid giving undesirable host connections access to the unit. The default condition for a unit is that access paths to all host connections are enabled. To restrict host access to a set of host connections, specify *DISABLE\_ACCESS\_PATH=ALL* when the unit is added, then use the SET *unit* command to specify the set of host connections that are to have access to the unit.

Enabling the access path to a particular host connection does not override previously enabled access paths. All access paths previously enabled are still valid; the new host connection is simply added to the list of connections that can access the unit.

The procedure of restricting access by enabling all access paths then disabling selected paths is particularly not recommended because of the potential data/security breach that occurs when a new host connection is added.

### **Restricting Host Access by Offsets**

Offsets establish the start of the range of units that a host connection can access. However, depending on the operating system, hosts that have lower offsets may be able to access the units in the specified range.

**NOTE:** All host connections to the same host computer must be set to the same offset.

#### **Example:**

In Figure 1-12, assume all host connections initially have the default offset of 0. Giving all connections to host WILLOW an offset of 120 will present unit D120 to host WILLOW as LUN 0. Enter the following commands:

```
SET WILLOW1A1 UNIT_OFFSET=120
SET WILLOW1B1 UNIT_OFFSET=120
SET WILLOW2A2 UNIT_OFFSET=120
SET WILLOW2B2 UNIT_OFFSET=120
```

Host WILLOW cannot see units lower than its offset, so it cannot access any other units. However, the other two hosts can still access D120 as LUN 20 if their operating system permits. To restrict access of D120 to only host WILLOW, enable only host WILLOW's access, as follows:

```
SET D102 DISABLE_ACCESS_PATH=ALL
SET D102 ENABLE_ACCESS_PATH=(WILLOW1A1,WILLOW1B1,WILLOW12A2,WILLOW2B2)
```

**NOTE:** It is highly recommended that you always give access to only specific connections. That way, if new connections are added, they will not have automatic access to all units. See "Restricting Host Access by Disabling Access Paths," page 1-25.

## Worldwide Names (Node IDs and Port IDs)

A worldwide name—also called a node ID—is a unique, 64-bit number assigned to a subsystem prior to shipping. The node ID belongs to the subsystem itself and never changes.

Each subsystem's node ID ends in zero, for example 5000-1FE1-FF0C-EE00. The controller port IDs are derived from the node ID.

In a subsystem with two controllers in transparent failover mode, the controller port IDs increment as follows:

- Controller A and controller B, port 1—worldwide name + 1, for example 5000-1FE1-FF0C-EE01
- Controller A and controller B, port 2—worldwide name + 2, for example 5000-1FE1-FF0C-EE02

In multiple-bus failover mode, each of the host ports has its own port ID:

- Controller B, port 1—worldwide name + 1, for example 5000-1FE1-FF0C-EE01
- Controller B, port 2—worldwide name + 2, for example 5000-1FE1-FF0C-EE02
- Controller A, port 1—worldwide name + 3, for example 5000-1FE1-FF0C-EE03
- Controller A, port 2—worldwide name + 4, for example 5000-1FE1-FF0C-EE04

Use the CLI command, `SHOW this_controller/other_controller` to display the subsystem's worldwide name.

## Restoring Worldwide Names (Node IDs)

If a situation occurs that requires you to restore the worldwide name, you can restore it using the worldwide name and check sum printed on the sticker on the frame into which the controller is inserted, as shown in Figure 1–13.



**CAUTION:** Each subsystem has its own unique worldwide name (node ID). If you attempt to set the subsystem worldwide name to a name other than the one that came with the subsystem, the data on the subsystem will not be accessible. Never set two subsystems to the same worldwide name or data corruption will occur.

---

## Unit World Wide Names (LUN IDs)

In addition, each unit has its own world wide name, or LUN ID. This is a unique, 128-bit value that the controller assigns at the time of unit initialization. It cannot be altered by the user but does change when the unit is reinitialized. Use the `SHOW` command to list the LUN ID.

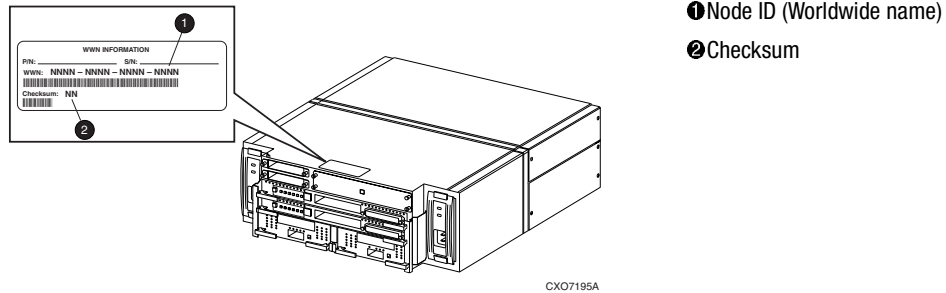


Figure 1-13. Placement of the worldwide name label

# *Chapter 2*

## **Planning Storage**

This chapter provides information to help you plan the storage configuration of your subsystem. Use the guidelines found in this section to plan the various types of storage containers needed.

The following information is included in this chapter:

- “Where to Start,” page 2–2
- “Configuration Rules,” page 2–3
- “Determining Storage Requirements,” page 2–6
- “Choosing a Container Type,” page 2–7
- “Creating a Stageset Profile,” page 2–9
- “Stageset Planning Considerations,” page 2–11
- “Mirrorset Planning Considerations,” page 2–13
- “Partition Planning Considerations,” page 2–18
- “Changing Characteristics through Switches,” page 2–20
- “Stageset and Partition Switches,” page 2–21
- “Initialization Switches,” page 2–24
- “Unit Switches,” page 2–28
- “Storage Maps,” page 2–28

## Where to Start

Containers are defined as individual disk drives (JBOD), storageset types (mirrorsets, stripesets, and so on) and/or partitioned drives. The following is a procedure you can follow to plan your storage configuration. See Appendix A to locate the blank templates for keeping track of the containers being configured.

1. Review configuration rules. See “Configuration Rules,” page 2-3.
2. Familiarize yourself with the current physical layout of the devices and their addressing scheme. See “Device PTL Addressing Convention,” page 2-4.
3. Determine your storage requirements. Use the questions in “Determining Storage Requirements,” page 2-6 to help you.
4. Choose the type of storage container(s) you need to use in your subsystem. See “Choosing a Container Type,” page 2-7 for a comparison and description of each type of storageset.
5. Create a storageset profile (described in “Creating a Storageset Profile,” page 2-9). Fill out the storageset profile while you read the sections that pertain to your chosen storage type:
  - “Storageset Planning Considerations,” page 2-11
  - “Mirrorset Planning Considerations,” page 2-13
  - “Partition Planning Considerations,” page 2-18
  - “Striped Mirrorset Planning Considerations,” page 2-17
6. Decide which switches you will need for your subsystem. General information on switches is detailed in “Storageset and Partition Switches,” page 2-21.
  - Determine what unit switches you want for your units (“Unit Switches,” page 2-28)
  - Determine what initialization switches you want for your planned storage containers (“Initialization Switches,” page 2-24)
7. Create a storage map (“Storage Maps,” page 2-28).
8. Configure the storage you have now planned using one of the following methods:
  - Use SWCC. See the SWCC documentation for details.
  - Use the Command Line Interpreter (CLI) commands. This method allows you flexibility in defining and naming your storage containers. See the *Compaq StorageWorks HSG60/HSG80 Array Controller ACS Version 8.5 CLI Reference Guide*.

## **Configuration Rules**

Review these configuration rules to ensure your planned configuration meets the following requirements and conditions:

- Maximum of 128 LUNs: if Command Console LUN is enabled, the result is 127 visible LUNs and one CCL
- Maximum 512-GB LUN capacity
- Maximum 24 physical devices
- Maximum 8 RAID-5 storage sets
- Maximum 8 partitions per storage set or individual disk
- Maximum 6 physical devices per RAID 1 (mirror set)
- Maximum 14 physical devices per RAID-5 storage set
- Maximum 24 physical devices per RAID 0 (stripe set)
- Maximum 24 physical devices per striped mirror set

## Device PTL Addressing Convention

The controller has two SCSI I/O device ports, each of which connects to a SCSI bus. In dual-controller subsystems, these device buses are shared between the two controllers. (SWCC calls the device ports “channels.”) The standard Model 2100-Series UltraSCSI Controller enclosure provides a maximum of 12 SCSI target IDs for each device port.

The controller identifies devices based on a Port-Target-LUN (PTL) numbering scheme, shown in Figure 2-1. The physical location of a device in its enclosure determines its PTL.

- P—Designates the controller's SCSI device port number (1 or 2).
- T—Designates the target identification (ID) number of the device. Valid target ID numbers for a single-controller configuration and dual-redundant controller configuration are 0 - 5 and 8 - 13.
- L—Designates the logical unit (LUN) of the device. For disk devices the LUN is always 0.

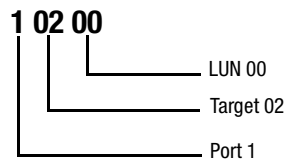


Figure 2-1. PTL naming convention

The controller operates with a Model 2100 UltraSCSI controller enclosure combined with either Model 4214R (maximum of two) or Model 4254 (maximum of one) disk enclosures. Physical drives are assigned SCSI target ID numbers 0 through 5 and 8 through 13 (SCSI target IDs 6 and 7 are reserved for the controllers, and SCSI target IDs 14 and 15 are not supported). Figure 2-2 shows the addresses for each device using two Model 4214R disk enclosure shelves in a single-bus configuration. Figure 2-3 shows the addresses for each drive using a single Model 4254 disk enclosure shelf in a dual-bus configuration.



Model 4214R Disk Enclosure Shelf 1 (single-bus)														
Bay	1	2	3	4	5	6	7	8	9	10	11	12	13	14
SCSI ID	00	01	02	03	04	05	08	09	10	11	12	13	14	15
DISK ID	Disk10000	Disk10100	Disk10200	Disk10300	Disk10400	Disk10500	Disk10800	Disk10900	Disk11000	Disk11100	Disk11200	Disk11300	not supported	not supported

Model 4214R Disk Enclosure Shelf 2 (single-bus)														
Bay	1	2	3	4	5	6	7	8	9	10	11	12	13	14
SCSI ID	00	01	02	03	04	05	08	09	10	11	12	13	14	15
DISK ID	Disk20000	Disk20100	Disk20200	Disk20300	Disk20400	Disk20500	Disk20800	Disk20900	Disk21000	Disk21100	Disk21200	Disk21300	not supported	not supported

Figure 2-2. PTL addressing in a single-bus configuration, using two shelves

Model 4254 Disk Enclosure Shelf 1 (dual-bus)														
Bus A							Bus B							
Bay	1	2	3	4	5	6	7	8	9	10	11	12	13	14
SCSI ID	00	01	02	03	04	05	08	00	01	02	03	04	05	08
DISK ID	Disk10000	Disk10100	Disk10200	Disk10300	Disk10400	Disk10500	Disk10800	Disk20000	Disk20100	Disk20200	Disk20300	Disk20400	Disk20500	Disk20800

Figure 2-3. PTL addressing in a dual-bus configuration

When the controller receives an I/O request, it identifies the storageset unit number for the request, then correlates the unit number to the storageset name. From the storageset name, the controller locates the appropriate device(s) for the I/O request. (For example, the RAIDset “RAID1” might contain DISK10000, DISK20000 and DISK10100.) The controller generates the read or write request to the appropriate device(s) using the PTL addressing convention. Figure 2-4 illustrates the concept of mapping unit numbers to PTL addresses.

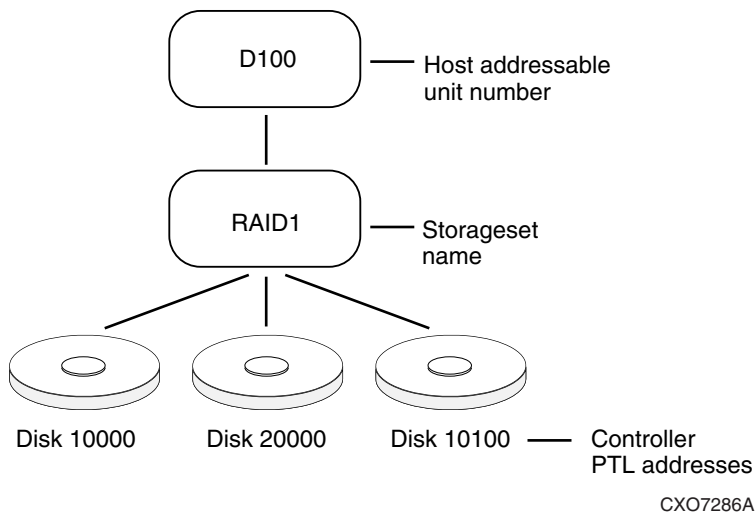


Figure 2-4. Mapping a unit to physical disk drives

## Determining Storage Requirements

It's important to determine your storage requirements. Here are a few of the questions you should ask yourself of the subsystem usage:

- What applications or user groups will access the subsystem? How much capacity do they need?
- What are the I/O requirements? If an application is data-transfer intensive, what is the required transfer rate? If it is I/O-request intensive, what is the required response time? What is the read/write ratio for a typical request?

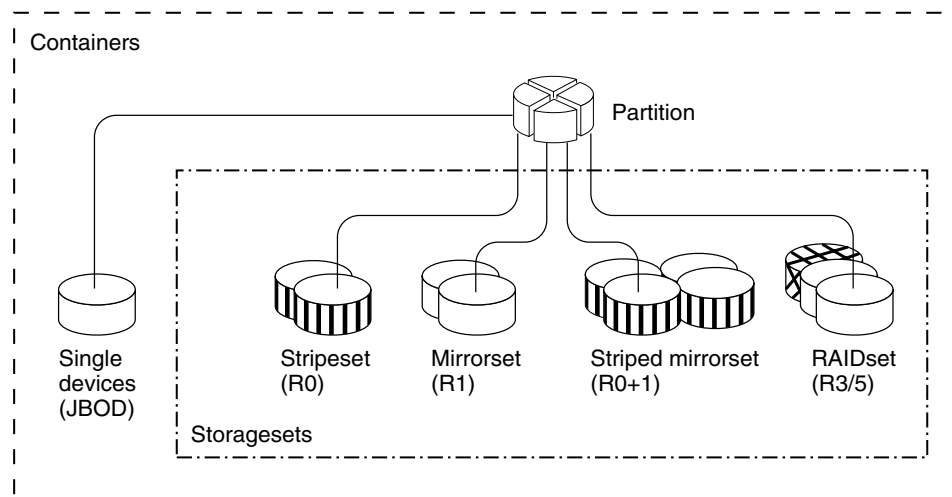
- Are most I/O requests directed to a small percentage of the disk drives? Do you want to keep it that way or balance the I/O load?
- Do you store mission-critical data? Is availability the highest priority or would standard backup procedures suffice?

## Choosing a Container Type

Different applications may have different storage requirements. You will probably want to configure more than one kind of container within your subsystem.

In choosing a container, you choose between independent disks (JBODs) or one of several storageset types. The independent disks and the selected storageset may also be partitioned.

The storagesets implement RAID (Redundant Array of Independent Disks) technology. Consequently, they all share one important feature: each storageset, whether it contains two disk drives or ten, looks like one large, virtual disk drive to the host.



CXO6677A

Figure 2-5. Container types

Table 2-1 compares the different kinds of containers to help you determine which ones satisfy your requirements.

<b>Table 2-1 A Comparison of Container Types</b>				
<b>Container Name</b>	<b>Relative Availability</b>	<b>Request Rate (Read/Write) I/O per second</b>	<b>Transfer Rate (Read/Write) MB per second</b>	<b>Applications</b>
Independent disk drives (JBOD)	Equal to number of JBOD disk drives	Comparable to single disk drive	Comparable to single disk drive	
Stripeset (RAID 0)	Proportionate to number of disk drives; worse than single disk drive	Excellent if used with large chunk size	Excellent if used with small chunk size	High performance for non-critical data
Mirrorset (RAID1)	Excellent	Good/Fair	Good/Fair	System drives; critical files
RAIDset (RAID 3/5)	Excellent	Excellent/good	Read: excellent (if used with small chunk sizes) Write: good (if used with small chunk sizes)	High request rates, read-intensive, data lookup
Striped Mirrorset (RAID 0+1)	Excellent	Excellent if used with large chunk size	Excellent if used with small chunk size	Any critical response-time application

For a comprehensive discussion of RAID, refer to *The RAIDBOOK—A Source Book for Disk Array Technology*.

## **Creating a StorageSet Profile**

Creating a profile for your storage sets, partitions, and devices can simplify the configuration process. Filling out a storage set profile helps you to choose the storage sets that best suit your needs and to make informed decisions about the switches that you can enable for each storage set or storage device that you configure in your subsystem.

See the example storage set profile shown in Figure 2-6.

Appendix A contains blank profiles that you can copy and use to record the details for your storage sets. Use the information in this chapter to help you make decisions when creating storage set profiles.

**Type of StorageSet:**

<input type="checkbox"/> Mirrorset	<input checked="" type="checkbox"/> RAIDset	<input type="checkbox"/> Stripeset	<input type="checkbox"/> Striped Mirrorset	<input type="checkbox"/> JBOD
------------------------------------	---	------------------------------------	--	-------------------------------

**StorageSet Name** R1

**Disk Drives** D10300, D20300, D10400, D20400

**Unit Number** D101

**Partitions:**

Unit #	Unit #	Unit #	Unit #	Unit #	Unit #	Unit #	Unit #
%	%	%	%	%	%	%	%

**RAIDset Switches:**

<b>Reconstruction Policy</b>	<b>Reduced Membership</b>	<b>Replacement Policy</b>
<input checked="" type="checkbox"/> Normal (default)	<input checked="" type="checkbox"/> No (default)	<input checked="" type="checkbox"/> Best performance (default)
<input type="checkbox"/> Fast	<input type="checkbox"/> Yes, missing:	<input type="checkbox"/> Best fit
		<input type="checkbox"/> None

**Mirrorset Switches:**

<b>Replacement Policy</b>	<b>Copy Policy</b>	<b>Read Source</b>
<input type="checkbox"/> Best performance (default)	<input type="checkbox"/> Normal (default)	<input type="checkbox"/> Least busy (default)
<input type="checkbox"/> Best fit	<input type="checkbox"/> Fast	<input type="checkbox"/> Round robin
<input type="checkbox"/> None		<input type="checkbox"/> Disk drive:

**Initialize Switches:**

<b>Chunk size</b>	<b>Save Configuration</b>	<b>Metadata</b>
<input checked="" type="checkbox"/> Automatic (default)	<input type="checkbox"/> No (default)	<input checked="" type="checkbox"/> Destroy (default)
<input type="checkbox"/> 64 blocks	<input checked="" type="checkbox"/> Yes	<input type="checkbox"/> Retain
<input type="checkbox"/> 128 blocks		
<input type="checkbox"/> 256 blocks		
<input type="checkbox"/> Other:		

**Unit Switches:**

<b>Caching</b>	<b>Access by following hosts enabled</b>
Read caching <input checked="" type="checkbox"/>	<u>ALL</u>
Read-ahead caching <input type="checkbox"/>	_____
Write-back caching <input checked="" type="checkbox"/>	_____
Write-through caching <input type="checkbox"/>	_____

Figure 2-6. An example storageSet profile

## Storageset Planning Considerations

This section contains the guidelines for choosing the storageset type needed for your subsystem:

- Stripeseet Planning Considerations
- Mirrorset Planning Considerations
- Partition Planning Considerations
- RAIDset Planning Considerations
- Striped Mirrorset Planning Considerations

### Stripeseet Planning Considerations

Stripesets (RAID 0) enhance I/O performance by spreading the data across multiple disk drives. Each I/O request is broken into small segments called “chunks.” These chunks are then simultaneously “striped” across the disk drives in the storageset, thereby allowing several disk drives to participate in one I/O request.

For example, in a three-member stripeset that contains disk drives Disk10000, Disk20000, and Disk10100, the first chunk of an I/O request is written to Disk10000, the second to Disk20000, the third to Disk10100, the fourth to Disk10000, and so forth until all of the data has been written to the drives (Figure 2-7).

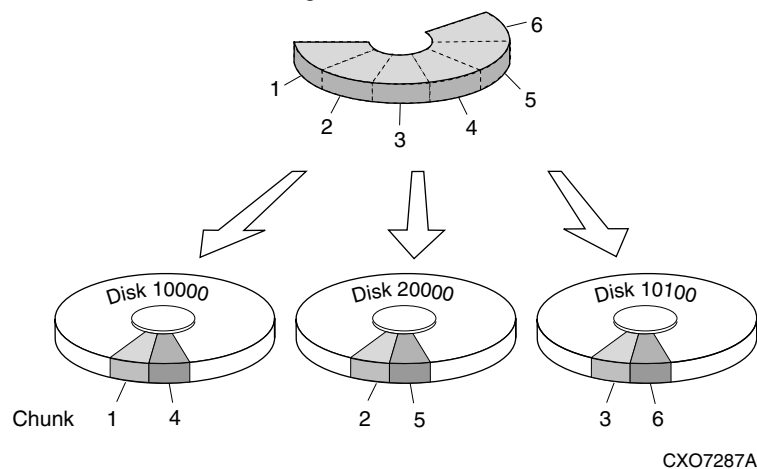


Figure 2-7. A 3-member RAID 0 stripeset (example 1)

The relationship between the chunk size and the average request size determines if striping maximizes the request rate or the data-transfer rate. You can set the chunk size or use the default setting (see “Chunk Size,” page 2-24, for information about setting the chunk size). Figure 2-8 shows another example of a three-member RAID 0 Stripeset.

A major benefit of striping is that it balances the I/O load across all of the disk drives in the storageset. This can increase the subsystem performance by eliminating the hot spots (high localities of reference), that occur when frequently accessed data becomes concentrated on a single disk drive.

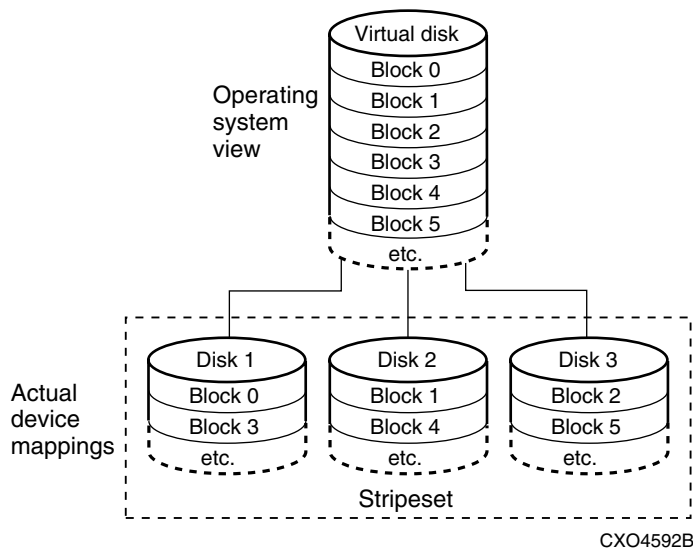


Figure 2-8. A 3-member RAID 0 stripeset (example 2)

Keep the following points in mind as you plan your stripesets:

- Reporting methods and size limitations prevent certain operating systems from working with large stripesets.
- A storageset should only contain disk drives of the same capacity. The controller limits the effective capacity of each member to the capacity of the smallest member in the storageset (base member size) when the storageset is initialized. Thus, if you combine 9 GB disk drives with 4 GB disk drives in the same storageset, you will waste 5 GB of capacity on each 9 GB member.

If you need high performance and high availability, consider using a RAIDset, striped-mirrorset, or a host-based shadow of a stripeset.



- Striping does not protect against data loss. In fact, because the failure of one member is equivalent to the failure of the entire stripeset, the likelihood of losing data is higher for a stripeset than for a single disk drive.

For example, if the mean time between failures (MTBF) for a single disk is 1 hour, then the MTBF for a stripeset that comprises N such disks is 1/N hours. As another example, if the MTBF of a single disk is 150,000 hours (about 17 years), a stripeset comprising four of these disks would only have an MTBF of slightly more than 4 years.

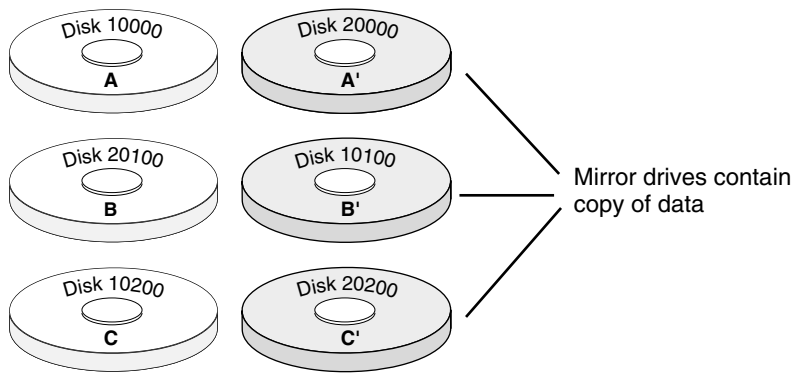
For this reason, you should avoid using a stripeset to store critical data. Stripesets are more suitable for storing data that can be reproduced easily or whose loss does not prevent the system from supporting its critical mission.

- Evenly distribute the members across the device ports to balance load and provide multiple paths.
- Stripesets may contain between two and 24 members.
- Stripesets are well-suited for the following applications:
  - Storing program image libraries or run-time libraries for rapid loading.
  - Storing large tables or other structures of read-only data for rapid application access.
  - Collecting data from external sources at very high data transfer rates.
- Stripesets are not well-suited for the following applications:
  - A storage solution for data that cannot be easily reproduced or for data that must be available for system operation.
  - Applications that make requests for small amounts of sequentially located data.
  - Applications that make synchronous random requests for small amounts of data.

Spread the member drives as evenly as possible across the two I/O device ports.

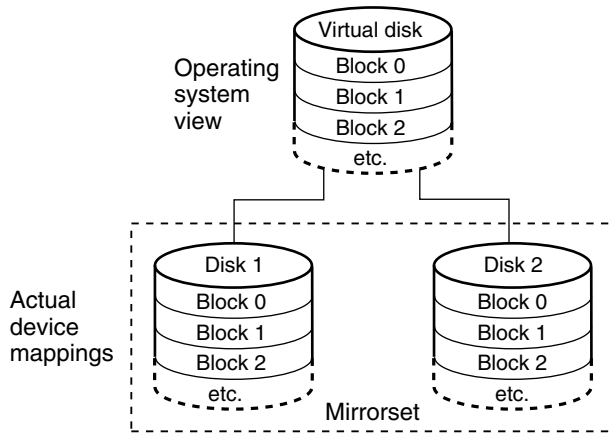
## Mirrorset Planning Considerations

Mirrorsets (RAID 1) use redundancy to ensure availability, as illustrated in Figure 2-9. For each primary disk drive, there is at least one mirror disk drive. Thus, if a primary disk drive fails, its mirror drive immediately provides an exact copy of the data. Figure 2-10 shows a second example of a Mirrorset.



CXO7288A

Figure 2-9. Mirrorsets maintain two copies of the same data



CXO4594B

Figure 2-10. Mirrorset example 2

Keep these points in mind as you plan your mirrorsets:

- Data availability with a mirrorset is excellent but comes with a higher cost—you need twice as many disk drives to satisfy a given capacity requirement. If availability is your top priority, consider using dual-redundant controllers and redundant power supplies.
- You can configure up to 20 mirrorsets per controller or pair of dual-redundant controllers. Each mirrorset may contain up to 6 members.
- Both write-back cache modules must be the same size.
- A mirrorset should only contain disk drives of the same capacity.
- Mirrorsets are well-suited for the following:
  - Any data for which reliability requirements are extremely high
  - Data to which high-performance access is required
  - Applications for which cost is a secondary issue
- Mirrorsets are not well-suited for the following applications:
  - Write-intensive applications (a performance hit of 10% will occur)
  - Applications for which cost is a primary issue

## RAIDset Planning Considerations

RAIDsets (RAID 3/5) are enhanced stripesets—they use striping to increase I/O performance and distributed-parity data to ensure data availability. Figure 2-11 shows an example of a RAIDset that uses five members.

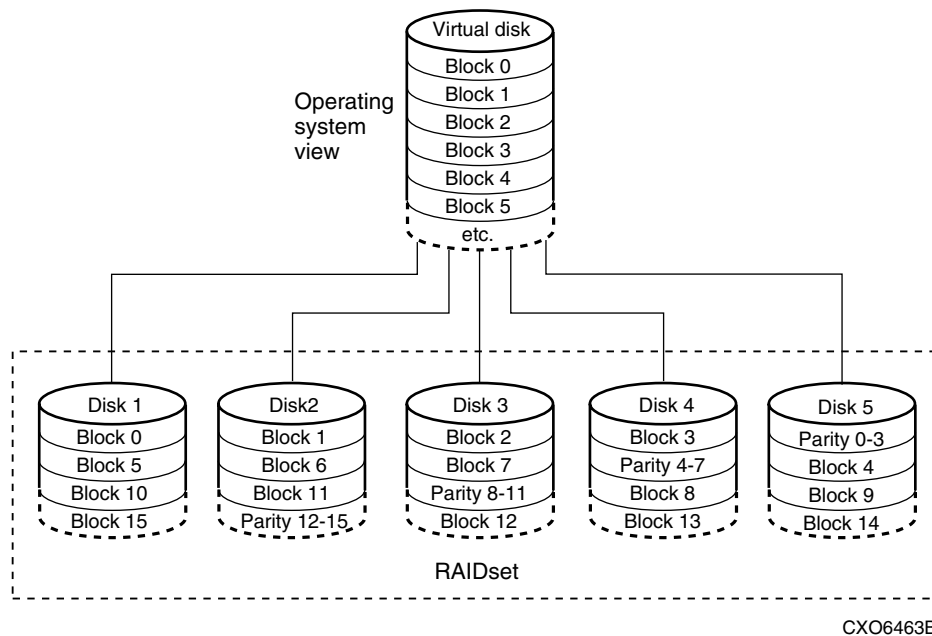


Figure 2-11. A five member RAIDset using parity

RAIDsets are similar to stripesets in that the I/O requests are broken into smaller “chunks” and striped across the disk drives. RAIDsets also create chunks of parity data and stripe them across all the members of the RAIDset. This parity data is derived mathematically from the I/O data and enables the controller to reconstruct the I/O data if a single disk drive fails. Thus, it becomes possible to lose a disk drive without losing access to the data it contained. Data could be lost, however, if a second disk drive fails before the controller replaces the first failed disk drive and reconstructs the data.

The relationship between the chunk size and the average request size determines if striping maximizes the request rate or the data-transfer rates. You can set the chunk size or use the default setting. See “Chunk Size,” page 2-24, for information about setting the chunk size.

Keep these points in mind as you plan your RAIDsets:

- Reporting methods and size limitations prevent certain operating systems from working with large RAIDsets.
- Both cache modules must be the same size.
- A RAIDset must include at least 3 disk drives, but no more than 14.

- A storageset should only contain disk drives of the same capacity. The controller limits the capacity of each member to the capacity of the smallest member in the storageset. Thus, if you combine 9 GB disk drives with 4 GB disk drives in the same storageset, you will waste 5 GB of capacity on each 9 GB member.
- RAIDsets are particularly well-suited for the following:
  - ❑ Small to medium I/O requests
  - ❑ Applications requiring high availability
  - ❑ High read request rates
  - ❑ Inquiry-type transaction processing
- RAIDsets are not particularly well-suited for the following:
  - ❑ Write-intensive applications
  - ❑ Database applications in which fields are continually updated
  - ❑ Transaction processing

### Striped Mirrorset Planning Considerations

Striped mirrorsets (RAID 0+1) are a configuration of stripesets whose members are also mirrorsets (Figure 2-12). Consequently, this kind of storageset combines the performance of striping with the reliability of mirroring. The result is a storageset with very high I/O performance and high data availability. Figure 2-13 shows a second example of a striped mirrorset using six members.

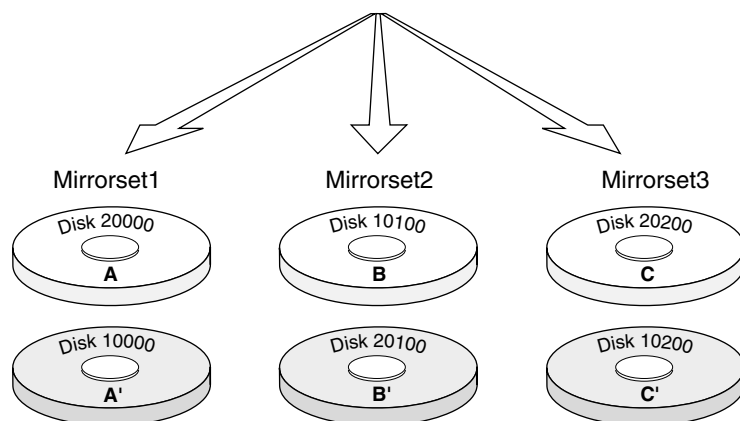
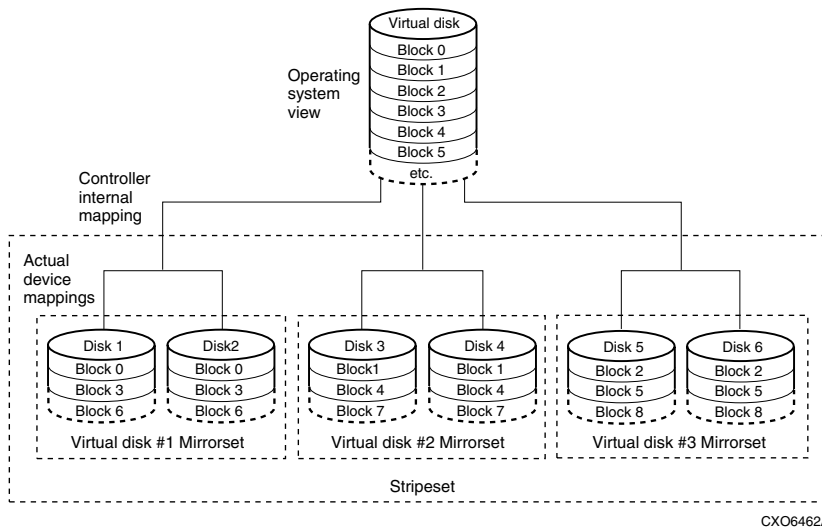


Figure 2-12. Striped mirrorset (example 1)

The failure of a single disk drive has no effect on the ability of the storageset to deliver data to the host. Under normal circumstances, it also has very little effect on performance. Because striped mirrorsets do not require any more disk drives than mirrorsets, this storageset is an excellent choice for data that warrants mirroring.



CX06462A

Figure 2-13. Striped mirrorset (example 2)

Plan the mirrorset members, then plan the stripeset that will contain them. Review the recommendations in “Storageset Planning Considerations,” page 2-11, and “Mirrorset Planning Considerations,” page 2-13.

## Partition Planning Considerations

Use partitions to divide a container (storageset or individual disk drive) into smaller pieces, each of which can be presented to the host as its own storage unit. Figure 2-14 shows the conceptual effects of partitioning a single-disk container.

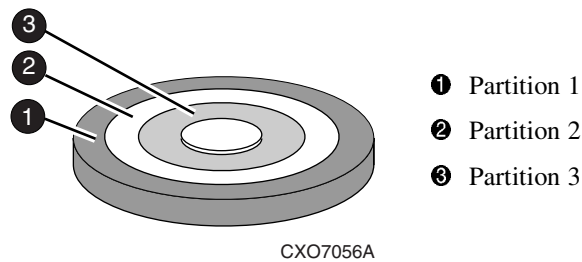


Figure 2-14. One example of a partitioned single-disk unit

You can create up to eight partitions per storageset (disk drive, RAIDset, mirrorset, stripeset, or striped mirrorset). Each partition has its own unit number so that the host can send I/O requests to the partition just as it would to any unpartitioned storageset or device. Partitions are separately addressable storage units, therefore, you can partition a single storageset to service more than one user group or application.

## Defining a Partition

Partitions are expressed as a percentage of the storageset or single disk unit that contains them:

- Mirrorsets and single disk units—the controller allocates the largest whole number of blocks that are equal to or less than the percentage you specify.
- RAIDsets and stripesets—the controller allocates the largest whole number of stripes that are less than or equal to the percentage you specify.
  - Stripesets—the stripe size = chunk size × number of members.
  - RAIDsets—the stripe size = chunk size × (number of members minus 1)

An unpartitioned storage unit has more capacity than a partition that uses the whole unit because each partition requires a small amount of disk space for metadata.

## Guidelines for Partitioning Stagesets and Disk Drives

Keep these points in mind as you plan your partitions:

- You can create up to eight partitions per stageset or disk drive.
- In transparent failover mode, all the partitions of a particular container must be on the same host port. Partitions cannot be split across host ports.
- In multiple-bus failover mode, all the partitions of a particular container must be on the same controller. Partitions cannot be split across controllers.
- Partitions cannot be combined into stagesets. For example, you cannot divide a disk drive into three partitions, then combine those partitions into a RAIDset.
- Just as with stagesets, you do not have to assign unit numbers to partitions until you are ready to use them.
- The CLONE utility cannot be used with partitioned mirrorsets or partitioned stripesets.

## Changing Characteristics through Switches

CLI command switches allow the user another level of command options. There are three types of switches that modify the stageset and unit characteristics:

- stageset switches
- initialization switches
- unit switches

The following sections:

- describe how to enable/modify switches
- contain a description of the major CLI command switches

## Enabling Switches

If you use SWCC to configure the device or stageset, you can set switches from the SWCC screens during the configuration process, and SWCC automatically applies them to the stageset or device. See the online SWCC help for information about using SWCC.



If you use CLI commands to configure the storageset or device manually, the configuration procedure found in Chapter 4 of this guide indicates when and how to enable each switch. The *Compaq StorageWorks HSG60/HSG80 Array Controller ACS Version 8.5 CLI Reference Guide* contains the details of the CLI command and their switches.

## Changing Switches

You can change the RAIDset, mirrorset, device, and unit switches at any time. You cannot change the initialize switches without destroying the data on the storageset or device. These switches are integral to the formatting and can only be changed by re-initializing the storageset.



**CAUTION:** Initializing a storageset is similar to formatting a disk drive; all of the data is destroyed during this procedure.

---

## Storageset and Partition Switches

The characteristics of a particular storageset can be set by specifying switches when the storageset is added to the controllers' configuration. Once a storageset has been added, the switches can be changed by using a SET command. Switches can be set for partitions and the following types of storagesets:

- RAIDset
- Mirrorset

Stripesets have no specific switches associated with their ADD and SET commands.

### RAIDset Switches

You can enable the following kinds of switches to control how a RAIDset behaves to ensure data availability:

- Replacement policy
- Reconstruction policy
- Remove/replace policy

**2-22** *MA6000 HSG60 Array Controller ACS Version 8.5c Solution Software for HP-UX Installation and Configuration Guide*

For details on the use of these switches refer to SET RAIDSET and SET RAIDset-name commands in the *Compaq StorageWorks HSG60/HSG80 Array Controller ACS Version 8.5 CLI Reference Guide*.

## Mirrorset Switches

You can enable the following switches to control how a mirrorset behaves to ensure data availability:

- Replacement policy
- Copy speed
- Read source
- Membership

For details on the use of these switches refer to ADD MIRRORSET and SET *mirrorset-name* commands in the *Compaq StorageWorks HSG60/HSG80 Array Controller ACS Version 8.5 CLI Reference Guide*.

## Partition Switches

When you create a partition, you can specify the following switches:

- Size
- Geometry

For details on the use of these switches refer to CREATE\_PARTITION command in the *Compaq StorageWorks HSG60/HSG80 Array Controller ACS Version 8.5 CLI Reference Guide*.

## Initialization Switches

Initialization switches set characteristics for established storagesets before they are made into units. You can enable the following kinds of switches to affect the format of a disk drive or storageset:

- **Chunk Size** (for stripesets and RAIDsets only)
- **Save Configuration**
- **Destroy/Nodestroy**
- **Geometry**

Each of these is described in the following sections.

**NOTE:** After you initialize the storageset or disk drive, you cannot change these switches without reinitializing the storageset or disk drive.

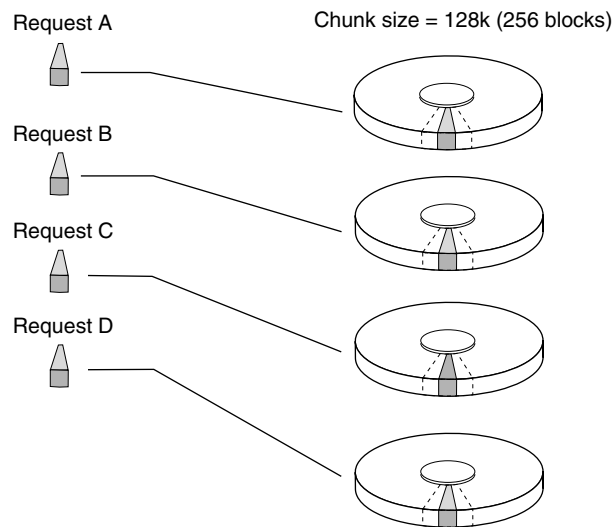
### Chunk Size

Specify the chunk size of the data to be stored to control the stripesize used in RAIDsets and stripesets:

- ***CHUNKSIZE=DEFAULT*** lets the controller set the chunk size based on the number of disk drives (*d*) in a stripeset or RAIDset. If  $d \leq 9$  then chunk size = 256. If  $d > 9$  then chunk size = 128.
- ***CHUNKSIZE=n*** lets you specify a chunk size in blocks. The relationship between chunk size and request size determines whether striping increases the request rate or the data-transfer rate.

### Increasing the Request Rate

A large chunk size (relative to the average request size) increases the request rate by allowing multiple disk drives to respond to multiple requests. If one disk drive contains all of the data for one request, then the other disk drives in the storageset are available to handle other requests. Thus, in principle, separate I/O requests can be handled in parallel, thereby increasing the request rate. This concept is shown in Figure 2-15.



CXO-5135A-MC

Figure 2-15. Chunk size larger than the request size

Large chunk sizes also tend to increase the performance of random reads and writes. It is recommended that you use a chunk size of 10 to 20 times the average request size, rounded to the closest prime number.

To calculate the chunk size that should be used for your subsystem, you first must analyze the types of requests that are being made to the subsystem:

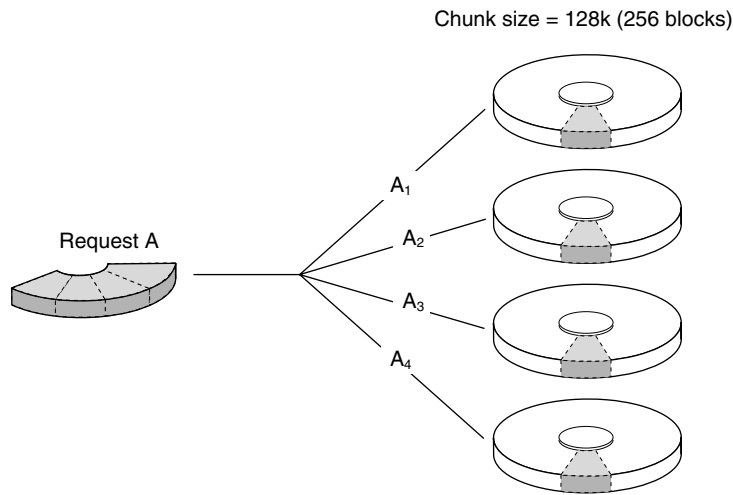
- Many parallel I/Os that use a small area of disk should use a chunk size of 10 times the average transfer request rate.
- Random I/Os that are scattered over all the areas of the disks should use a chunk size of 20 times the average transfer request rate.
- If you don't know, then you should use a chunk size of 15 times the average transfer request rate.
- If you have mostly sequential reads or writes (like those needed to work with large graphic files), then make the chunk size a small number (that is 17 sectors).

Table 2-2 shows a few examples of chunk size selection.

<b>Table 2-2 Example Chunk Sizes</b>			
<b>Transfer Size (KB)</b>	<b>Small Area of I/O Transfers</b>	<b>Unknown</b>	<b>Random Areas of I/O Transfers</b>
2	41	59	79
4	79	113	163
8	157	239	317

### Increasing the Data Transfer Rate

A small chunk size relative to the average request size increases the data transfer rate by allowing multiple disk drives to participate in one I/O request. This concept is shown in Figure 2-16.



CXO-5172A-MC

Figure 2-16. Chunk size smaller than the request size

## Increasing Sequential Write Performance

Sequential write and read requests on stripesets (or striped mirrorsets), should use a small chunk size relative to the I/O size to increase the performance. A chunk size of 17 generally works well.

## Save Configuration

This switch is for a single-controller configuration only. This switch reserves an area on each of the disks that constitute the container being initialized. The controller can write subsystem configuration data on this area. If the controller is replaced, the new controller can read the subsystem configuration from the reserved area of disks.

If you specify *SAVE\_CONFIGURATION* for a multi-device storageset, such as a stripeset, the complete subsystem configuration is periodically written on each disk in the storageset.

The *SHOW DEVICES FULL* command shows which disks are used to backup configuration information.

## Destroy/Nodestroy

You must specify whether to destroy or retain the user data and metadata when a disk is initialized that has been previously used in a mirrorset or as a single-disk unit.

**NOTE:** The *DESTROY* and *NODESTROY* switches are only valid for mirrorsets and striped mirrorsets.

- *DESTROY* (default) overwrites the user data and forced-error metadata on a disk drive when it is initialized.
- *NODESTROY* preserves the user data and forced-error metadata when a disk drive is initialized. Use *NODESTROY* to create a single-disk unit from any disk drive that has been used as a member of a mirrorset. See the *REDUCED* command in the *Compaq StorageWorks HSG60/HSG80 Array Controller ACS Version 8.5 CLI Reference Guide* for information on removing disk drives from a mirrorset.

*NODESTROY* is ignored for members of a RAIDset.

## Geometry

The geometry parameters of a storageset can be specified. The geometry switches are:

- **CAPACITY**—the number of logical blocks. The range is from 1 to the maximum container size.
- **CYLINDERS**—the number of cylinders used. The range is from 1 to 16777215.
- **HEADS**—the number of disk heads used. The range is from 1 to 255.
- **SECTORS\_PER\_TRACK**—the number of sectors per track used. The range is from 1 to 255.

## Unit Switches

There are several switches that control the characteristics of units. The unit switches are described under the SET *unit-number* command in the *Compaq StorageWorks HSG60/HSG80 Array Controller ACS Version 8.5 CLI Reference Guide*.

One unit switch, *ENABLE/DISABLE\_ACCESS\_PATH*, determines which host connections can access the unit, and is part of the larger topic of matching units to specific hosts. This complex topic is covered in Chapter 1 under the following headings:

- “Assigning Unit Numbers,” page 1–17
- “Restricting Host Access (Selective Storage Presentation),” page 1–22

## Storage Maps

Configuring your subsystem will be easier if you know how the storagesets, partitions, and JBODs correspond to the disk drives in your subsystem. You can more easily see this relationship by creating a hardcopy representation (a storage map).

### Creating a Storage Map

If you want to make a storage map, fill out a blank storage map as you add storagesets, partitions, and JBOD disks to your configuration and assign them unit numbers. Appendix A contains blank templates you may use in the creation of your subsystem storage map. Label each disk drive in the map with the higher levels it is associated with, up to the unit level.



### Example Storage Map

The following example (see Figure 2-17) is of a single-shelf disk enclosure using a single-bus I/O module (Model 4214R) :

- Unit D100 is a 3-member RAID 3/5 storage set named R1. R1 consists of Disk10000, Disk10100, and Disk10200.
- Unit D101 is a 2-member striped mirror set named S1. S1 consists of M1 and M2:
  - M1 is a 2-member mirror set consisting of Disk10300 and Disk10400.
  - M2 is a 2-member mirror set consisting of Disk10500 and Disk10800.
- Unit D102 is a 2-member mirror set named M3. M3 consists of Disk10900 and Disk11000.
- Unit D103 is a 3-member stripeset named S2. S2 consists of Disk 11100, Disk11200, and Disk11300.

The I/O module assigns a SCSI address to each drive bay in the disk enclosure using a SCSI address map.

Model 4214R Disk Enclosure Shelf 1 (single-bus)														
Bay	1	2	3	4	5	6	7	8	9	10	11	12	13	14
SCSI ID	00	01	02	03	04	05	08	09	10	11	12	13	14	15
DISK ID	D100 R1 DISK10000	D100 R1 DISK10100	D100 R1 DISK10200	D101 S1 M1 DISK10300	D101 S1 M1 DISK10400	D101 S1 M2 DISK10500	D101 S1 M2 DISK10800	D102 M3 DISK10900	D102 M3 DISK11000	D103 S2 DISK11100	D103 S2 DISK11200	D103 S2 DISK11300	not supported	not supported

Figure 2-17. Example storage map-single bus

**2-30** *MA6000 HSG60 Array Controller ACS Version 8.5c Solution Software for HP-UX Installation and Configuration Guide*

The following example (see Figure 2-18) is of a single-shelf disk enclosure using a dual-bus I/O module (Model 4254):

- Unit D100 is a 3-member RAID 3/5 storage set named R1. R1 consists of Disk10000, Disk20000, and Disk10100.
- Unit D101 is a 2-member striped mirrorset named S1. S1 consists of M1 and M2:
  - M1 is a 2-member mirrorset consisting of Disk10200 and Disk20200.
  - M2 is a 2-member mirrorset consisting of Disk20300 and Disk10300.
- Unit D102 is a 2-member mirrorset named M3. M3 consists of Disk10400 and Disk20400.
- Unit D103 is a 3-member stripeset named S2. S2 consists of Disk 10500, Disk20500, and Disk10800.
- Unit D104 is a single (JBOD) disk named Disk20100.
- Disk20800 is a spareset member.

Model 4254 Disk Enclosure Shelf 1 (dual-bus)														
Bus A								Bus B						
Bay	1	2	3	4	5	6	7	8	9	10	11	12	13	14
<b>SCSI ID</b>	00	01	02	03	04	05	08	00	01	02	03	04	05	08
<b>DISK ID</b>	D100 R1 DISK10000	D100 R1 DISK10100	D101 S1 M1 DISK10200	D101 S1 M2 DISK10300	D102 M3 DISK10400	D103 S2 DISK10500	D103 S2 DISK10800	D100 R1 DISK20000	D104 DISK20100	D101 S1 M1 DISK20200	D101 S1 M2 DISK20300	D102 M3 DISK20400	D103 S2 DISK20500	spareset member DISK20800

Figure 2-18. Example storage map-dual bus

## Using the LOCATE Command to Find Devices

If you want to complete a storage map at a later time but do not remember where everything is, use the CLI command `LOCATE`. The `LOCATE` command flashes the (fault) LED on the drives associated with the specific storageset or unit. To turn off the flashing LEDs, enter the CLI command `LOCATE cancel`.

The following is an example of the commands needed to locate all the disk drives that make up unit D104:

```
LOCATE D104
```

The LEDs on the disk drives that make up unit D104 will flash. After you have noted the position of all the drives contained within D104, enter the following command to turn off the flashing LEDs:

```
LOCATE CANCEL
```

The following is an example command needed to locate all the drives that make up RAIDset R1:

```
LOCATE R1
```

After you have noted the position of the drives contained within R1, enter the following command to turn off the flashing LEDs:

```
LOCATE CANCEL
```



# *Chapter 3*

## **Preparing the Host System**

This chapter describes how to prepare your HP-UX host computer to accommodate the HSG60 controller storage subsystem. It describes the steps for installing the required device drivers onto HP 9000 Series Systems running HP-UX 10.20 or 11.00. The installation steps include loading the device driver(s) to communicate through the Fibre Channel (FC) Host Bus Adapter (HBA) to the HSG60 Controller.

The following information is included in this chapter:

- “Making a Physical Connection,” page 3–1
- “Connecting the MA6000 to Your Host System,” page 3–6

### **Making a Physical Connection**

Your new storage system components must be initially configured using a serial cable connection to the HSG60 Array Controllers. You can change the following settings: SCSI-2 or SCSI-3 mode, CCL enabled or disabled, and Transparent or Multibus Failover mode. The controllers are preset to SCSI-2 mode, CCL enabled, and Transparent Failover mode. For HP-UX, only SCSI-2 mode is supported with the ACS 8.5.

In order to attach your host computer to the storage subsystem, you must install one or more HBAs into the computer. A Fibre Channel cable goes from the HBA to a Fibre Channel (FC) switch.

## Preparing to Install the Host Bus Adapter

The first step in physical connection is installation of a host bus adapter board before preparing the system to interface with the MA6000 System. The host adapter board plugs into a standard PCI slot in the host computer.

**NOTE:** Protect the host bus adapter board from electrostatic discharge by wearing an ESD wriststrap. DO NOT remove the board from the antistatic cover until you are ready to install it.

You need the following to begin:

- Host bus adapter board (either HP or Compaq/QLA2200)
- Your computer hardware manual
- Appropriate tools to service your computer

Perform the following steps:

1. Perform a complete backup of your entire system.
2. Shut down your computer system.

## Installing the Host Bus Adapter

Fibre Channel (FC) mass storage HBAs manufactured by HP or Compaq/QLA2200 can be used with the MA6000 System and your HP platform. To install an HP HBA in your HP System use the instructions provided in the HP Host Adapter documentation. To install a Compaq/QLA2200 HBA in your L, N, or V Class HP system, use the instructions provided by HP for installing PCI interfaces. Refer to the appropriate HP documentation Web page:

[www.docs.hp.co/hpux/systems/lclass](http://www.docs.hp.co/hpux/systems/lclass)

[www.doc.hpcom/hpux/systems/nclass](http://www.doc.hpcom/hpux/systems/nclass)

[www.doc.hpcom/hpux/systems/vclass](http://www.doc.hpcom/hpux/systems/vclass)

**NOTE:** Hewlett Packard D, K, and T-Class hosts function as private hosts when attached to a fabric. Therefore, the Compaq Fibre Channel Switch QuickLoop feature must be enabled. This allows private hosts on fabric attached loops to access private devices on different fabric attached loops.

## Installing the Compaq/QLA2200 Driver

To install the Compaq/QLA2200 driver in your host system:

1. Make sure the Compaq/QLA2200 HBA is correctly installed in your system.
2. Place the CD labeled, solution Software V8.5c in your host system's CD-ROM drive.
3. Mount the CD-ROM by entering:
 

**NOTE:** pfs\_mount requires pfs\_mount and pfsd daemons to be running. Verify that the pfs\_mount and pfsd daemons are running by entering:

**ps -ef | grep pfs**

If pfs\_mountd and pfsd are not listed start them by issuing the following commands at the root prompt :

**pfs\_mountd &**

**pfsd &**

**pfs\_mount /dev/dsk/cdrom\_device\_file /mnt\_directory**

For example:

**pfs\_mount /dev/dsk/clt2do /cdrom**
4. Start the installation by entering the command:
 

**swinstall -s <CD-ROM mount directory>/driver/qlc2200**
5. Highlight the following swinstall package when it appears on the screen:
 

BHPUX1100QLC2200
6. Select *Mark For Install* from the Actions menu. In the status window, the work *Yes* should appear under the *Marked?* column.
7. Select *Install (analysis)* from the Action menu. The *Install Analysis* window should appear.
8. When Ready appears in the Status item, select the *OK* button to begin the installation procedure.
9. Select the *OK* button in the dialog box for each warning that appears.
10. If the installation was successful, the status item will change to *Completed*. If this is not the case, check the log file and correct any errors that occurred.
11. Select the Done button. A dialog box will appear indicating that a reboot is required
12. Select the *OK* button to reboot the system.

## Verifying the Host Bus Adapters and Drivers

Verification of the HP and Compaq/QLA2200 HBAs and drivers are described below:

### Verifying the HP HBA and Driver

Ensure that you have the required FC Host HBA and drivers available to your system by issuing the following command:

```
# ioscan -f |grep fc
```

The output from this command will be similar to:

Class	I	H/W Path	Driver	S/W State	H/W Type	Description
fc	0	10/8	fcT1	CLAIMED	INTERFACE	HP FC Mass Storage Adapter
lan	1	10/8.5	fcT1_cnt	CLAIMED	INTERFACE	HP FC Mass Storage Cntl
fcp	0	10/8.8	fcp	CLAIMED	INTERFACE	FC Protocol Adapter

### Verifying the Compaq/QLA2200 HBA and Driver

The installation of the Compaq/QLA2200 HBA and Driver can be verified by using the *swlist* and *isscan* commands.

1. Verify the Compaq/QLA2200 Driver is successfully installed by entering:

```
swlist
```



The output from this command should be similar to the following example:

```
#
#Bundle(s):
#
HPUXEng64RT          B.11.00.01          English HP-UX 64 bit Runtime Envi
OnlineDia            B.11.00.1212.07     HPUX11.0 Support Tools Bundle
UXCoreMedia (See    B.11.00.01          HP-UX Media Kit (Reference Only)
Description)
XSWGRI11001999      B.11.00.47.08      General Release Patches, November 1999
(ACE)
#
Product(s) not contained in a Bundle:
#
HPUX1100QLC2200     2.5.8               PCI-Fibre Channel Fabric Driver
```

2. Verify that the Compaq/QLA2200 HBA is successfully installed by entering:

**ioscan -nfc ext\_bus**

The output from the this command should be similar to the following example:

Class	I	H/W Path	Driver	S/W State	H/W Type	Description
ext_bus	0	0/0/1/0	c720	CLAIMED	INTERFACE	Fast Wide Single-Ended SCSI
ext_bus	1	0/0/2/0	c720	CLAIMED	INTERFACE	Ultra Wide SCSI
ext_bus	2	0/0/2/1	c720	CLAIMED	INTERFACE	Ultra Wide SCSI
ext_bus	3	0/8/0/0 /dev/qlc22003	Qlc2200	CLAIMED	INTERFACE	PCI SCSI (10772200)
ext_bus	9	0/10/0/0 /dev/qlc22004	Qlc2200	CLAIMED	INTERFACE	PCI SCSI (10772200)

The /dev/qlc2200xx devices are the device files for the Compaq/QLA2200 HBAs.

## Connecting the MA6000 to Your Host System

To connect the MA6000 to your host system:

1. Shut down the HP System and ensure that all power switches on the HSG60 Array Controller and on the Host Computer System are in the OFF position.
2. Connect a FC cable between the FC adapter's connector on the back of the HP System and a port on the Compaq FC switch.
3. Connect FC cables from each HSG60 array controller to the Compaq FC switch.
4. Turn ON the power to the MA6000 system and perform the following steps:
  - a. Configure the MA6000 system for loop hard (for an HP FC HBA), or fabric (for a Compaq/QLA2200 FC HBA) by accessing the Command Line Interpreter (CLI). Refer to *Chapter 6* for more information about the CLI.
  - b. At the CLI prompt (HSG60>) enter:

```
set this_controller port_1_topology = offline
```

```
set this_controller port_1_topology = loop hard (for HP D, K,  
T-Class systems)
```

```
set other_controller port_1_topology = offline
```

```
set other_controller port_1_topology = loop hard (for HP D, K,  
T-Class systems)
```

or

```
set this_controller port_1_topology = offline
```

```
set this_controller port_1_topology = fabric (for Compaq/QLA2200  
HBAs)
```

```
set other_controller port_1_topology = offline
```

```
set other_controller port_1_topology = fabric (for  
Compaq/QLA2200 HBAs)
```

- c. At the CLI prompt (HSG60>), enter:

```
set this_controller port_2_topology = offline
```

```
set this_controller port_2_topology = loop hard (for HP D, K,  
T-Class systems)
```

```
set other_controller port_2_topology = offline
```

```
set other_controller port_2_topology = loop hard (for HP D, K,  
T-Class systems)
```

or

**set this\_controller port\_2\_topology = offline**

**set this\_controller port\_2\_topology = fabric** (for Compaq/QLA2200 HBAs)

**set other\_controller port\_2\_topology = offline**

**set other\_controller port\_2\_topology = fabric** (for Compaq/QLA2200 HBAs)

- d. At the CLI prompt (HSG60>), enter.

**restart this**

- e. At the CLI prompt (HSG60>), enter.

**restart other**

- f. At the CLI (HSG60>) prompt, verify the changes by entering:

**show this\_controller full**

The controller displays information similar to the example in *Chapter 7*, in this guide.

**NOTE:** Step 5 applies only if you are using an HP D, K, or T-Class system.

5. Turn ON the power to the FC switch and perform the following steps:
  - a. Log on to the switch. For more information, refer to the *QuickLoop Management Guide* that was shipped with your switch.
  - b. At the admin> prompt, enter:
 

**qlEnable**
  - c. At the switch:admin> prompt, verify that all ports are online by entering:
 

**qlShow**
6. Turn ON the power to the HP 9000, but do not boot the system.
7. Use the CLI to configure your HSG60 array controller (as described in the *CLI Reference Guide*) if it is not yet configured.
8. Boot the system. During the boot process, *device special* files are created for each logical unit configured on the HSG60 array controller, and a Logical Unit Number (LUN) is assigned to each storage set configured on the HSG60 array controller. If you need to reconfigure storage sets at a later time, or add storage dynamically, you can detect the new changes by issuing the `ioscan` and `insf -e` commands.

**NOTE:** If you are using the Compaq/QLC2200 HBA and driver, you need to update and save the driver LUN data base so that the new units persist correctly after a reboot.

9. Update and save the driver LUN database by entering:

**savecfg**

### 3-8 MA6000 HSG60 Array Controller ACS Version 8.5c Solution Software for HP-UX Installation and Configuration Guide

The output from the command should appear as follows:

```
Compaq/qlc2200 configuration has been saved
```

Now that the Compaq/QLA2200 HBA has been updated, you can issue an `ioscan` command like you normally would. If the new HBAs do not have device special files associated with them, issue the `insf -e` command to create them. Once the new HBAs have been recognized and have had device special files installed for them, the output from an `ioscan -nfc disk` command should be similar to the following example:

Class	I	H/W Path	Driver	S/W State	H/W Type	Description
disk	0	1/0/0.6.0 /dev/dsk/C0T6d0	sdisk	CLAIMED	DEVICE	SEAGATE ST34573WC
disk	8	1/2/0.0.0 /dev/dsk/c7c7t0d0	sdisk	CLAIMED	DEVICE	DEC HSG80CCL
disk	19	1/2/0.12.0 /dev/dsk/c7t2d0	sdisk	CLAIMED	DEVICE	DEC HSG80CCL
disk	9	5/0/0.4.0 /dev/dsk/c9t4d0	sdisk	CLAIMED	DEVICE	DEC HSG80
disk	4	5/0/0.12.0 /dev/dsk/c9t12d0	sdisk	CLAIMED	DEVICE	DEC HSG80

## Configuring a High Availability Cluster Using MC/ServiceGuard

With MC/ServiceGuard version 10.10 on HP-UX version 10.20, a multihost configuration is supported on HP systems. The StorageWorks Command Console (CC) Agent and installation scripts allow agent failover.

To configure MA6000 for use with HP-UX MC/ServiceGuard:

1. On each host, connect the FC adapter to the switch. (See Figure 3-1.)
2. Connect each port of the array controller to the switch.
3. Ensure that the controller is in transparent failover dual-redundant mode.

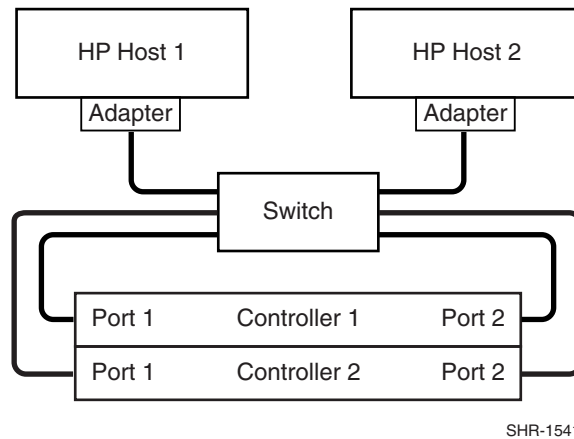


Figure 3-1. Single switch HP MC/ServiceGuard cluster, high availability configuration

## Configuring the HP-UX File System

The HP-UX Operating System has now been modified to communicate with the RAID Array Controller.

In order to use the RAID Array from the HP system, perform the following steps:

1. Create new virtual disks on your RAID Array and assign LUN IDs to each virtual disk created.

**NOTE:** If not yet created, you can use either the Client (refer to the *Command Console Interface User's Guide*). LUNs created on the Array must be assigned consecutively starting with LUN 0. Currently there is an HP-UX limit of eight LUNs per TARGET, each HSG80 controller is a target, so plan accordingly (HP HBAs only). The Compaq/QLA2200 supports 64 LUNs per target.

Refer to the *HP System Administration Tasks Manual* for instructions on the following tasks:

- Adding the RAID storageset to a volume group.

**NOTE:** Do not use System Administration Manager (SAM) to Create/Extend Volume Groups. Creating/Extending Volume Groups must be done using HP-UX Commands. When SAM scans for hardware, any HSG60 controller LUNs created after the first LUN, are not parsed correctly by SAM and consequently, cannot be selected to create a volume group. The solution around this problem is to use HP-UX commands to create/extend the volume groups and then use SAM to create and manage logical volumes.

**3-10** *MA6000 HSG60 Array Controller ACS Version 8.5c Solution Software for HP-UX Installation and Configuration Guide*

- Determining the mount point directory on your system.
  - Using the mount command to mount the device on your system.
  - Editing the *etc/fstab* file if you want this device mounted each time you boot the system.
2. Create a directory for the volume group. This is located in the */dev* directory. It is recommended that you first check the */dev* directory to verify which volume groups exists by entering the following command:

**# ls /dev**

The output of this command should appear as follows:

beep	lan0	ptyp5	ptyqe	strlog	ttyp1	ttyqa
c2t0d0_lp	log	ptyp6	ptyqf	syscon	ttyp2	ttyqb
config	mem	ptyp7	ptyr0	sys tty	ttyp3	ttyqc
console	mux0	ptyp8	ptyr1	telnet	ttyp4	ttyqd
crt	mux1	ptyp9	ptyr2	tty	ttyp5	ttyqe
crt0	netlog	ptypa	ptyr3	tty0p0	ttyp6	ttyqf
cua0p7	netman	ptypb	ptyr4	tty0p1	ttyp7	ttyr0
cul0p7	nettrace	ptypc	ptyr5	tty0p10	ttyp8	ttyr1
diag	ni	ptypd	ptyr6	tty0p11	ttyp9	ttyr2
dlpi	null	ptype	ptyr7	tty0p12	ttypa	ttyr3
dlpi0	ocrtp typf	ptypf	ptyr8	tty0p13	ttypb	ttyr4
dlpi1	ocrt0	ptyp0	ptyr9	tty0p14	ttypc	ttyr5
dlpi2	ps2_0	ptyp1	ptyra	tty0p15	ttypd	ttyr6
dlpi3	ps2_1	ptyp2	ptyrb	tty0p2	ttype	ttyr7
dlpi4	ps2kbd	ptyp3	ptyrc	tty0p3	ttypf	ttyr8
dsk	ps2mouse	ptyp4	ptyrd	tty0p4	ttyq0	ttyr9
echo	ptmx	ptyp5	ptyre	tty0p5	ttyq1	ttyra
EEPROM	pts	ptyp6	ptyrf	tty0p6	ttyq2	ttyrb
ether0	pty	ptyp7	rdsk	tty0p7	ttyq3	ttyrc
fcms1	ptym	ptyp8	rmt	tty0p8	ttyq4	ttyrd
inet_clts	ptyp0	ptyp9	root	tty0p9	ttyq5	ttyre
inet_cots	ptyp1	ptyqa	rroot	tty0p0	ttyq6	ttyrf
kepd	ptyp2	ptyqb	rscsi	ttyconf	ttyq7	vg00
klog	ptyp3	ptypc	sad	ttyd0p7	ttyq8	
kmem	ptyp4	ptyqd	screen	ttyp0	ttyq9	

**3-12** *MA6000 HSG60 Array Controller ACS Version 8.5c Solution Software for HP-UX Installation and Configuration Guide*

From the above list, the only volume group that exists is vg00. For the purpose of this example, we will create vg01.

3. Enter the following command:

```
# mkdir /dev/vg01
```

**NOTE:** The standard HP-UX kernel supports vg00 to vg09. Creation of volume groups greater than vg09 requires kernel tuning. Please refer to the appropriate HP-UX documentation for this information.

4. Create a control file named **group** in the `/dev/vg0n` directory created in step 3. This is done with the `mknod` command:

```
# mknod /dev/vgn/group c 64 0xnn0000
```

The `minor_number` for the group file is hexadecimal and is in the form `0xnn0000` where again `n` is the identity of the volume group being created.

For example:

```
# mknod /dev/vg01/group c 64 0x010000
```

5. Make the LVM disks (physical volumes) using the `prcreate` command. The `pvcreate` command is of the form `pvcreate /dev/rdisk/entndn`. This information is obtained from the `ioscan-fnCdisk` command. An example of this is shown below:

```
# ioscan -fnCdisk
```



Class	I	H/W Path	Driver	S/W State	H/W Type	Description
disk	36	8/12.8.0.255.4.0.0 /dev/dsk/c5t0d0	sdisk	CLAIMED	DEVICE	DEC HSG60 /dev/rdisk/c5t0d0
disk	37	8/12.8.0.255.4.0.1 /dev/dsk/c5t0d1	sdisk	CLAIMED	DEVICE	DEC HSG60 /dev/rdisk/c5t0d1
disk	38	8/12.8.0.255.4.0.2 /dev/dsk/c5t0d2	sdisk	CLAIMED	DEVICE	DEC HSG60 /dev/rdisk/c5t0d2
disk	28	8/12.8.0.255.4.1.0 /dev/dsk/c5t1d0	sdisk	CLAIMED	DEVICE	DEC HSG60CCL /dev/rdisk/c5t1d0
disk	29	8/12.8.0.255.4.1.1 /dev/dsk/c5t1d1	sdisk	CLAIMED	DEVICE	DEC HSG60 /dev/rdisk/c5t1d1
disk	30	8/12.8.0.255.4.1.2 /dev/dsk/c5t1d2	sdisk	CLAIMED	DEVICE	DEC HSG60 /dev/rdisk/c5t1d2
disk	2	8/16/5.2.0 /dev/dsk/c1t2d0	sdisk	CLAIMED	DEVICE	TOSHIBA CD-ROM XM-401TA /dev/rdisk/c1t2d0
disk	3	8/16/5.5.0 /dev/dsk/c1t5d0	sdisk	CLAIMED	DEVICE	DEC RZ28M (C) DEC /dev/rdisk/c1t5d0

# pvcreate /dev/rdisk/c5t0d1

**3-14** *MA6000 HSG60 Array Controller ACS Version 8.5c Solution Software for HP-UX Installation and Configuration Guide*

The output from this command should appear as follows:

Physical volume "/dev/rdisk/c50d1" has been successfully created.

6. Create the volume group. This is done with the *vgcreate* command similar to the following:

```
# vgcreate /dev/vg0n /dev/dsk/cntndn
```

7. If necessary, extend the volume group:

```
# vgextend /dev/vg0n /dev/dsk/cntndn
```

8. The volume group may be displayed after creation with the *vgdisplay* command:

```
# vgdisplay -v /dev/vg0n
```

9. Display the volume group

```
# vgdisplay -v /dev/vg01
```

An example of this is as follows:

```
# vgcreate /dev/vg01 /dev/dsk/c5t0d0
```

Increased the number of physical extents per physical volume to 8678.

Volume group "/dev/vg01" has been successfully created.

Volume Group configuration for /dev/vg01 has been saved in /etc/lvmconf/vg01.conf

```
# vgextend /dev/vg01 /dev/dsk/c5t0d1
```

Finally, display the volume group.

```
# vgdisplay -v /dev/vg01
```

--- Volume groups ---

VG Name	/dev/vg01
VG Write Access	read/write
VG Status	available
Max LV	255
Cur LV	0
Open LV	0
Max PV	16
Cur PV	1
Act PV	1
Max PE per PV	8678
VGDA	2
PE Size (Mbytes)	4
Total PE	8677
Alloc PE	0
Free PE	8677
Total PVG	0

**3-16** *MA6000 HSG60 Array Controller ACS Version 8.5c Solution Software for HP-UX Installation and Configuration Guide*

--- Physical volumes ---

PV Name	/dev/dsk/c5t0d1
PV Status	available
Total PE	8677
Free PE	7677
PV Name	/dev/dsk/c5t0d0
PV Status	available
Total PE	8677
Free PE	8677

10. Creation and Management of the Logical Volumes may now be accomplished via the HP-UX commands or SAM.

An example of doing this is:

```
# lvcreate /dev/vg01
```

Logical volume “/dev/vg01/lvol1” has been successfully created with character device “/dev/vg01/lvol1”

Volume Group configuration for /dev/vg01 has been saved in /etc/lvmconf/vg01.conf

```
# lvextend -L 100 /dev/vg01/lvol1
```

Logical volume “/dev/vg01/lvol1” has been successfully extended.

Volume Group configuration for /dev/vg01 has been saved in /etc/lvmconf/vg01.conf

```
# lvsdisplay /dev/vg01/lvol1
```

```
--- Logical volumes ---
```

LV Name	/dev/vg01/lvol1
VG Name	/dev/vg01
LV Permission	read/write
LV Status	available/syncd
Mirror copies	0
Consistency Recovery	MWC
Schedule	parallel
LV Size (Mbytes)	100
Current LE	25
Allocated PE	25
Stripes	0
Stripe Size (Kbytes)	0
Bad block	on
Allocation	strict



# *Chapter 4*

## **Installing and Configuring the HS-Series Agent**

The following information is included in this chapter:

- “Why Use StorageWorks Command Console?” on page 4-1
- “Installation and Configuration Overview” on page 4-3
- “About the Network Connection for the Agent” on page 4-3
- ““Before You Install the Agent” on page 4-5
- “Installing and Configuring the Agent” on page 4-5
- “Reconfiguring the Agent” on page 4-15
- “Running the Agent” on page 4-15
- “Removing the Agent” on page 4-16

### **Why Use StorageWorks Command Console?**

StorageWorks Command Console (SWCC) lets you monitor and configure the storage connected to the HSG60 controller. SWCC is comprised of a Client and Agent. The Client provides pager notification and lets you manage your virtual disks. Client runs on Windows 2000 and Windows NT 4.0 (Intel) with Service Pack 4 or later.

The Agent obtains the status of the storage connected to the controller. It also passes the status of the devices connected to the controller to other computers and provides e-mail notification and error logging.

**4-2** *MA6000 HSG60 Array Controller ACS Version 8.5c Solution Software for HP-UX Installation and Configuration Guide*

To receive information about the devices connected to your HSG60 controller over a TCP/IP network, you must install the Agent on a computer that is connected to a controller.

The Agent can also be used as a standalone application without Client. In this mode, which is referred to as Agent only, Agent monitors the status of the subsystem and provides local and remote notification in the event of a failure. A subsystem is comprised of the HSG60 controller and its devices. Remote and local notification can be made by e-mail and/or SNMP messages to an SNMP monitoring program.

**Table 4-1 SWCC Features and Components**

<b>Features</b>	<b>Agent Required?</b>	<b>Client Required?</b>
Able to create the following: <ul style="list-style-type: none"><li>■ Striped device group (RAID 0)</li><li>■ Mirrored device group (RAID 1)</li><li>■ Striped mirrored device group (RAID 0+1)</li><li>■ Striped parity device group (RAID 3/5)</li><li>■ Individual device (JBOD)</li></ul>	Yes	Yes
Able to monitor many subsystems at once	Yes	Yes
Event logging	Yes	No
E-mail notification	Yes	No
Pager notification	Yes	Yes

**NOTE:** For serial and SCSI connections, the Agent is not required for creating virtual disks.



Table 4-2 provides an overview of the installation.

<b>Table 4-2 Installation and Configuration Overview</b>	
<b>Step</b>	<b>Procedure</b>
1	Verify that your hardware has been setup correctly. See the previous chapters.
2	Verify that you have a network connection for the client and agent systems. See "About the Network Connection for the Agent," page 4-3.
3	Verify that there is a LUN to communicate through. This can be either the CCL or a LUN that was created with the CLI. See "The Command Console LUN" in Chapter 1.
4	Install the Agent (TCP/IP network connections) on a system connected to the HSG60 controller. See "Installing and Configuring the Agent," page 4-5.
5	Add the name of the client system to the Agent's list of client system entries (TCP/IP network connections). This can be done during installation or when reconfiguring the Agent.
6	Install the Client software on Windows 2000 or Windows NT 4.0 (Intel) with Service Pack 4 or later. See Appendix B.
7	Add the name of the agent system to the Navigation Tree of each client system that is on the Agent's list of client system entries (TCP/IP network connections). See Appendix B.
8	Set up pager notification (TCP/IP network connections). Refer to "Setting Up Pager Notification" in the <i>Compaq StorageWorks Command Console Version 2.3. for the MA6000 User Guide</i> .

## About the Network Connection for the Agent

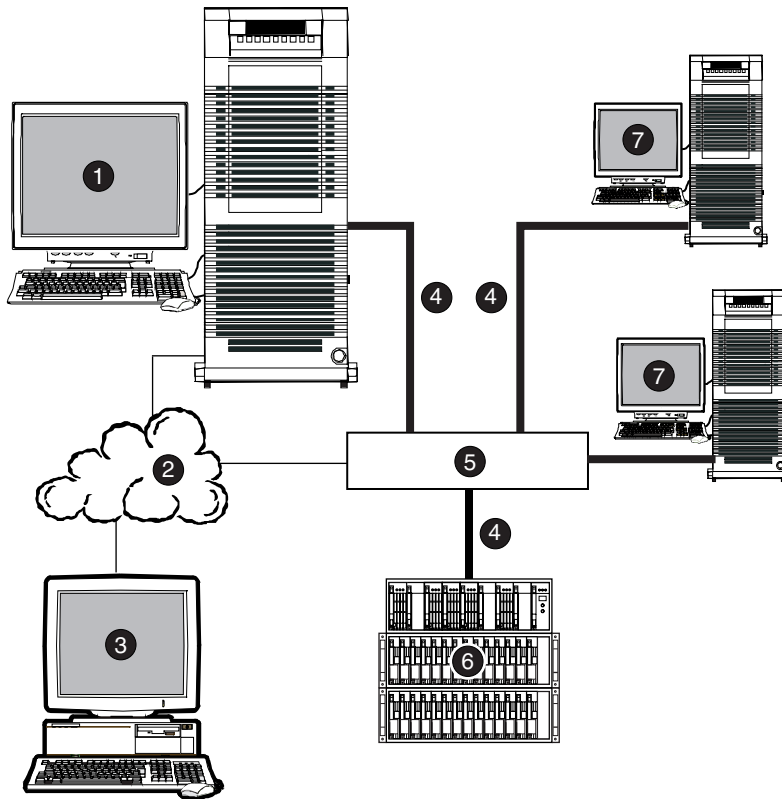
The network connection that is shown in Figure 4-1 displays the subsystem connected to a hub or a switch. SWCC can consist of any number of Clients and Agents in a network. However, it is suggested that you install only one Agent (except for the HSZ22 Agent) on a computer.

By using a network connection, you can configure and monitor your subsystem from anywhere on your LAN. If you have a WAN or a connection to the Internet, you can monitor your subsystem with TCP/IP.

---

**IMPORTANT:** SWCC does not support the dynamic host configuration protocol (DHCP) or the Windows Internet Name Service (WINS).

---



CXO7240A

Figure 4-1. An example of a network connection

- |   |   |
|---|---|
| ❶ Agent system (has the Agent software)   | ❺ Hub or switch                             |
| ❷ TCP/IP Network                          | ❻ HSG60 controller and its devices (MA6000) |
| ❸ Client system (has the Client software) | ❼ Servers                                   |
| ❹ Fibre Channel cable                     |   |

## Before You Install the Agent

The Agent requires the minimum Host System resources shown in Table 4-3. The program is designed to operate with the Client V2.3 for Windows 2000 and Windows NT.

**Table 4-3 Minimum HP-UX Host Requirements**

Architecture	2MB free space in /tmp directory, and 4 MB free space for Agent installation directory
Operating System	HP-UX V10.20 or 11.00
Controller Compatibility	StorageWorks HSG60 Controller running operating firmware V8.5
Platform	HP 9000 Series K-Class; Models 2xx, 3xx, 4xx, and 5xx HP 9000 Series D-Class; Models 2xx, 3xx HP 9000 Series T-Class; Models T6xx *HP 9000 Series V-Class; Models 2xxx *HP 9000 Series N-Class; Models N4xxx *HP 9000 Series L-Class; Models Lxxx
*Supports Compag/QLA2200 Fibre Channel Host Bus Adapter	

## Installing and Configuring the Agent

This section describes the following:

- Installing and configuring the Agent on a Local Host
- Installing and Configuring the Agent with MC/ServiceGuard

In this section, you are shown how to install the Agent by using a script; however, you can install the Agent by copying the files from the CD-ROM and by editing the Agent configuration and your host system ASCII files.

### Installing and Configuring the Agent on a Local Host

Install and configure the Agent by running the installation script, as described in the following steps:

1. Place the Solution CD-ROM labeled, *Solution Software V8.5c* in your local system's CD-ROM drive.

2. Mount the CD-ROM by entering:

**NOTE:** pfs\_mount requires pfs\_mount and pfsd daemons to be running. Verify that the pfs\_mount and pfsd daemons are running by entering:

```
ps -ef | grep pfs
```

If pfs\_mountd and pfsd are not listed start them by issuing the following commands at the root prompt :

```
pfs_mountd &
```

```
pfsd &
```

```
pfs_mount /dev/dsk/cdrom_device_file /mnt_directory
```

For example:

```
pfs_mount /dev/dsk/clt2do /cdrom
```

3. Start the installation by entering the command:

```
swinstall -s <CD-ROM> mount_directory>/swcc/agent
```

4. Highlight the following swinstall package when it appears on the screen:

**SWCC**

5. Select *Mark For Install* from the *Actions* menu. In the status window, the work *Yes* should appear under the *Marked?* column.
6. Select *Install (analysis)* from the *Action* menu. The *Install Analysis* window should appear.
7. When *Ready* appears in the *Status* item, select the *OK* button to begin the installation procedure.
8. Select the *OK* button in the dialog box for each warning that appears.
9. If the installation was successful, the status item will change to *Completed*. If this is not the case, check the log file and correct any errors that occurred.
10. Select the *Done* button and exit from the swinstall package.
11. Start the configuration scripts by entering:

```
cd /tmp
```

```
./install.sh
```

The installation program begins and the copyright screen displays.

12. At the copyright screen, press **ENTER** to continue. The following message appears:

```
Enter a target directory for installation or  
press return to use the default (default = opt/steam):
```

13. Press **ENTER** to use the default. The following screen appears:

```
Installing the steam Agent in "/opt/steam"  
Is this okay? [Y/n]
```

14. Select option **Y** to display the installation menu.

**NOTE:** If you want to install the Agent into Hewlett-Packard MC/ServiceGuard, see “Installing and Configuring the Agent with MC/ServiceGuard” in this chapter.

15. Select option 1 to install the Agent for HP-UX.

**NOTE:** The boxed entries in the following example are inquiries from the platform. The text following the entries is a suggested response for the initial install.

16. At the copyright screen, press **ENTER** to continue. You see the following:

```
Adding an entry to /etc/services for the Client using port 4998 Is this OK? [Y,n]
```

17. Select option **Y** and press **ENTER**. This port number is used for the Client to communicate with the HS-Series Agent. If the default port is already used, enter n, and enter another even-numbered port.

**NOTE:** Client and the HS-Series Agent must specify the same port numbers for “spgui” and “spagent.” Numbers entered here must be consistent with all other Client and Agent applications throughout your network enterprise.

You see the following:

```
Adding an entry to /etc/services for STEAM AGENT using port 4999  
Is this OK? [Y,n]
```

18. Select option **Y** and press **ENTER**. This port number is used for the Client to communicate with the HS-Series Agent. If the default port is already used, select option n, and enter the port number that is one digit above the port number that you entered in the previous step. For example; if you entered port number 4996 in the previous step, enter port number 4997.

You see the following:

```
Updating inittab file...done
```

The installation updates the inittab file. This causes the HS-Series Agent to start at boot time.

You see the following:

```
The next three entries are mandatory; do you wish to continue [Y, n]
```

19. Select option **Y** and then press **ENTER**. The screen displays the following:

```
Enter a password for use with the STEAM Agent (4-> 16 characters):
```

20. Enter a password. To configure the subsystem by using the Storage Window, you must enter a password. The install program does not echo what you enter.

You see the following:

Verify the password:

21. Re-enter your password.

You see the following:

Enter the name of the Agent manufacturer (no default):

22. Enter **Compaq Computer Corporation** and press **ENTER**. The HS-Series Agent can operate with other SNMP applications. For this reason, it needs information about the Agent manufacturer and the enterprise object identifier for use with its MIB.

The following is an example of what may be displayed:

The Enterprise OID can be customized. Note that this value must be consistent with the Agent's MIB!

The default vendor-specific setting is "36.2.15.21."

Would you like to enter a new value? [y, n]:

23. Select option **n** and press **ENTER**.

You see the following:

Adding a Client system

-----

Enter the Host name of the Client system:

24. Enter the name of a Client system. The HS-Series Agent sends status updates to systems that are on this list.

The HS-Series Agent can provide local and/or remote notification. Local notification is provided by e-mail and a system error log. Remote notification is provided the Command Console Navigation Tree, Storage Window, and pager notification, in addition to the system error log.

You see the following:

Specify names for the Hosts from which you will run the GUI

Enter the Host name of the Client system:

If you do not want the Agent to provide updates to other computers, enter the following:

- Enter the Host name of the Client System: local Host
- Enter the Access Level: 0
- Enter the notification level: 0

25. Enter the "Host \_name" of the computer running SWCC and press **ENTER**.

You see the following:

Enter the subsystem access privilege (which controls the level of access a client has for communicating with the storage subsystems)

The possible options are: 0 = Overall Status

1 = Detailed Status

2 = Configuration

Enter Access Level (0, 1, 2):

26. Select option **2** and press **ENTER**.

You see the following:

The Agent server can notify a client when an error condition occurs.

Notification schemes available are:

0 = No Error Notification

(Still have E-Mail and Syslog)

1 = Notification via a TCP/IP Socket

(E-Mail, syslog, GUI shows color status indications.)

2 = Notification via the SNMP protocol

(E-Mail, syslog, and Informed of only predefined events)

3 = Notification via both TCP/IP and SNMP

(All of the options in this category)

Enter Error Notification Level (0, 1, 2, 3):

27. Select option **3** and press **ENTER**.

The computer displays your choices, as shown in the following example:

Adding client--

name: <Host name>

access level: 2

error notification: 3

Is this information correct? [Y,n]

28. Verify the information, by typing **Y** or **n**, and press **ENTER**.

You see the following:

Would you like to add another client? [y,N]

29. Select option **n** and press **ENTER**.

The computer scans the I/O bus for Command Console LUNs. The following is an example of what may be shown:

=====

Scanning I/O Bus on nodes: hpk400a

Processing Host hpk400a

Node	HW Path	Driver	Device
------	---------	--------	--------

**4-10** *MA6000 HSG60 Array Controller ACS Version 8.5c Solution Software for HP-UX Installation and Configuration Guide*

```
-----  
-----  
-----  
-----  
hpk400a 10/8.8.0.255.3.15.0 sdisk HSG60CCL  
hpk400a 10/8.8.0.255.4.1.0 sdisk HSG60CCL  
Found 2 Command Console LUN(s) on host hpk400a.  
To remove a CCL enter: "r hardware_path", to add enter "a"  
Would you like to Add, Remove or Continue? [a,r,C]
```

30. Select option **C** and press **ENTER**.

If the software does not detect any Command Console LUNs (CCL), answer "a" and select the hardware path from the list. You should not include the CCLs for the RA3000 because they are not supported by this Agent. Note that the disc3 driver indicates that this CCL is on a HP-PB bus. The spt driver will be attached to this hardware path and will require this node to be rebooted.

31. If you do not need to add or delete CCLs, select option **C** and press **ENTER** to continue.

The following is an example of what may be displayed:

```
Completed checking pass thru driver installation and special files.  
Updating storage.ini files for each host.  
Creating storage.ini files for each host.  
HSG60 0 ZG61701016 ZG62001218 V85L c6t2d0 c6t2d0
```

32. Enter a subsystem name.  
33. Enter the desired monitoring period in seconds:

You see the following:  
Would you like to enable mail notification? [Y,n]

34. Select option **y** and press **ENTER**.

You see the following:  
Adding a User for Mail Notification  
Enter the e-mail address of the user or CTRL-C to cancel:

35. Enter the user e-mail address and press **ENTER**.

You see the following:  
Enter the error notification level for this user.  
The user will be notified of errors at this level and above.  
The possible options are:  
1 = Fatal Errors  
2 = Warning and Fatal Errors  
3 = Info, Warning and Fatal Errors



Enter Notification Level (1, 2, 3):

36. Select option **3** and press **ENTER**.

The screen displays your choices:

```
Adding Notification User--
name: root
Error Notification Level: Info, Warning and Fatal Errors
Is this information correct? [Y,n]
```

37. Select option **Y** and press **ENTER**.

You see the following:

```
Would you like to add another user? [y,N]
```

38. Select option **N** and press **ENTER**.

The screen displays your choices:

```
Authorized mail notification list
Username    Notification Level
root       Info, Warning and Fatal Errors
```

-- Press ENTER to continue --

```
The STEAM Agent package has been successfully installed.
Would you like to start the Agent now? [Y,n]
```

39. Select option **Y** and press **ENTER**. You must have the Agent running for it to monitor your subsystems and provide updates to remote computers.

The computer displays the following:

**RAID Array Configuration Menu**

<u>Agent Admin Options</u>	<u>Storage Subsystem Options</u>
1) Change Agent Password	12) View Subsystems
2) Change SNMP Enterprise OID	13) Add a Subsystem
3) Start/Stop the Agent	14) Remove a Subsystem
4) Toggle Agent Startup on Boot	15) Modify a Subsystem
<u>Agent Notification Options</u>	<u>Client Options</u>
6) Toggle Error Log Notification	16) View Clients
7) Toggle Mail Notification	17) Add a Client
8) View Mail Notification List	18) Remove a Client
9) Add User to Mail Notification List	19) Modify a Client
10) Remove User from Mail Notification List	
11) Modify Mail Notification List	

Exit:

Q)

Enter Selection:

**4-12** MA6000 HSG60 Array Controller ACS Version 8.5c Solution Software for HP-UX Installation and Configuration Guide

40. Select option **12** and press **ENTER**.

The computer displays the entered storage subsystems, as shown by the following:

Storage subsystem List

hpk400a

Subsystem Name	Controller Type	Firm-ware	EMU Type	Access Device 1	Access Device 2	Monitoring Period, secs
HSG60.0	HSG60	V85L	None	c6t2d0		180
HSG60.1	HSG60	V85L	None	c5t1d0		180

41. Press **ENTER** to continue.

You see the following:

**RAID Array Configuration Menu**

<u>Agent Admin Options</u>	<u>Storage Subsystem Options</u>
1) Change Agent Password	12) View Subsystems
2) Change SNMP Enterprise OID	13) Add a Subsystem
3) Start/Stop the Agent	14) Remove a Subsystem
4) Toggle Agent Startup on Boot	15) Modify a Subsystem
<u>Agent Notification Options</u>	<u>Client Options</u>
6) Toggle Error Log Notification	16) View Clients
7) Toggle Mail Notification	17) Add a Client
8) View Mail Notification List	18) Remove a Client
9) Add User to Mail Notification List	19) Modify a Client
10) Remove User from Mail Notification List	
11) Modify Mail Notification List	

Exit:

Q)

Enter Selection:

42. To exit, select option **Q** and press **ENTER**.

**NOTE:** You can change the configuration of the Agent at any time. For more information, see “Reconfiguring the Agent” in this chapter.

## Installing and Configuring the Agent with MC/ServiceGuard

All hosts in the MC/ServiceGuard cluster must have entered into their “/rhosts” file “host\_name root” of all hosts in the cluster enabling access by the root account.

**NOTE:** All members of the cluster must be remotely accessible before the installation can be successfully completed.

1. If you plan to install the Agent into a MC/ServiceGuard package, selection 2 should be used even if pass-through drivers are not installed.

---

**IMPORTANT:** The Client and the Agent must specify the same port numbers for “spgui” and “spagent.” It is imperative that the numbers entered here are consistent with all other Client and Agent applications throughout your network enterprise.

---

2. Specify the port number used for the Client to communicate with the Agent. If the default port is already used, select option **N** to specify a new even-numbered port.
3. Specify the port number for the Agent to send notifications to the Client. If the default port is already used, select option **N** and specify a new port (port specified above +1).
4. To configure the subsystem using the Storage Window, you need to set a password. The install program does not echo what you enter.

**NOTE:** The Agent can operate with other SNMP applications. For this reason, it needs information about the Agent manufacturer and the Enterprise object identifier for use with its MIB.

5. Enter **Compaq Computer Corporation** as the Agent manufacturer.
6. Follow the on-screen prompts to complete installation.
7. After rebooting all necessary hosts, log in as root and enter the following command:

```
/installation_directory/steam/bin/config.sh
```

The RAID Array Configuration menu appears.

8. Select option **13** and press **ENTER** to add a subsystem.  
Notice spt is now the driver on the HP-PB bus adapter.
9. Select option **C** to continue.

The computer displays the subsystems connect to your host, as shown in the following example:

```
Processing Host gemini
```

**4-14** MA6000 HSG60 Array Controller ACS Version 8.5c Solution Software for HP-UX Installation and Configuration Guide

Node	HW Path	Driver	Device
gemini	8/0.8.0.255.0.2.0	sdisk	HSG60CCL
gemini	8/4.8.0.255.0.2.0	sdisk	HSG60CCL
gemini	10/4/4.0.0	spt	HSZ70CCL
gemini	10/4/12.0.0	spt	HSZ70CCL

Found 4 Command Console LUN(s) on host aries.  
 To remove a CCL enter: "r hardware\_path", to add enter "a"  
 Would you like to Add, Remove or Continue? [a,r,C]

The spt driver is now attached to both HP-PB bus adapters.

10. Select option **C** to continue.

The computer updates the storage.ini files for each host.

11. Enter a name for your subsystem.

12. Enter a desired monitoring period in seconds. The default is 180 seconds.

You see the following:

Completed checking pass thru driver installation and special files.  
 Updating storage.ini files for each host.

For each subsystem the computer finds, it will ask you to enter a name for the subsystem and a desired monitoring period.

13. When you are asked to start "Steam\_pkg", enter **Y**. "Steam\_pkg" is the name of the HS-Series Agent daemon. This daemon must be running for it to monitor your subsystems and for it to provide status updates to your client systems.

You see the following:

**RAID Array Configuration Menu**

- |   |                                  |
|---|----------------------------------|
| <u>Agent Admin Options</u>                  | <u>Storage Subsystem Options</u> |
| 1) Change Agent Password                    | 12) View Subsystems              |
| 2) Change SNMP Enterprise OID               | 13) Add a Subsystem              |
| 3) Start/Stop the Agent                     | 14) Remove a Subsystem           |
| 4) Toggle Agent Startup on Boot             | 15) Modify a Subsystem           |
| <u>Agent Notification Options</u>           | <u>Client Options</u>            |
| 6) Toggle Error Log Notification            | 16) View Clients                 |
| 7) Toggle Mail Notification                 | 17) Add a Client                 |
| 8) View Mail Notification List              | 18) Remove a Client              |
| 9) Add User to Mail Notification List       | 19) Modify a Client              |
| 10) Remove User from Mail Notification List |                                  |
| 11) Modify Mail Notification List           |                                  |

Exit:

Q)

Enter Selection:

**NOTE:** You can change the configuration of the Agent at any time. For more information, see “Reconfiguring the Agent,” page 4-15 in this chapter.

## Reconfiguring the Agent

You can reconfigure previously installed Agents by using the RAID Array Configuration menu. To access the RAID Array Configuration menu program, enter the following command:

```
# /installation_directory/steam/bin/config.sh
```

---

**IMPORTANT:** When you make a change to the HS-Series Agent configuration, you must stop and restart the HS-Series Agent for your changes to take effect.

---

## Restarting the Agent

When changes are made to the Agent configuration, it must be restarted for changes to take effect.

1. Select **Start/Stop the Agent** from the Agent Maintenance menu.
2. If the Agent is shown to be running in the RAID Array Configuration menu, select option **y** to stop the Agent. Repeat the menu selection and select option **y** to start the Agent.

## Running the Agent

The Agent runs in the background as a daemon. The Agent was started when you installed it. Its default is to restart automatically.

The installation script places two entries in the “*/etc/inittab*” file to implement automatic execution of the Agent. The tag fields in the file are “*stmd*” and “*ntfy*”.

---

**IMPORTANT:** You can stop and start the Agent by using the RAID Array Configuration menu; however, the Agent must be running in order to monitor subsystems.

---

## Removing the Agent

To uninstall the Agent Package:

1. First remove all subsystems using the agent configuration tool. If there are any storage subsystems remaining in the `<steam dir>/etc/storage.ini` file, the agent package will not be able to be uninstalled.
2. Remove the agent directory by entering:  
`swremove SWCC`

This should remove the agent directory, any edits made to configuration files in the `/etc` directory, and the `STM85_HP.TAR` file from the `/tmp` directory.

# *Chapter 5*

## **Configuration Procedures**

This chapter describes a step-by-step procedure to configure a subsystem that uses Fibre Channel fabric topology. In fabric topology, the controller connects to its hosts through switches.

The following information is included in this chapter:

- “Establishing a Local Connection,” page 5–2
- “Setting Up a Single Controller,” page 5–3
- “Setting Up a Controller Pair,” page 5–8
- “Configuring Devices,” page 5–13
- “Configuring a Stripeset,” page 5–13
- “Configuring a Mirrorset,” page 5–15
- “Configuring a RAIDset,” page 5–15
- “Configuring a Striped Mirrorset,” page 5–16
- “Configuring a Single-Disk (JBOD) Unit,” page 5–17
- “Configuring a Partition,” page 5–17
- “Assigning Unit Numbers and Unit Qualifiers,” page 5–19
- “Configuration Options,” page 5–21

## 5-2 MA6000 HSG60 Array Controller ACS Version 8.5c Solution Software for HP-UX Installation and Configuration Guide

You can use command line interpreter (CLI) or StorageWorks Command Console (SWCC) to configure your subsystem. This chapter uses CLI, which is the low-level interface to the controller. If you want to use SWCC for configuration, see the SWCC online help for assistance.

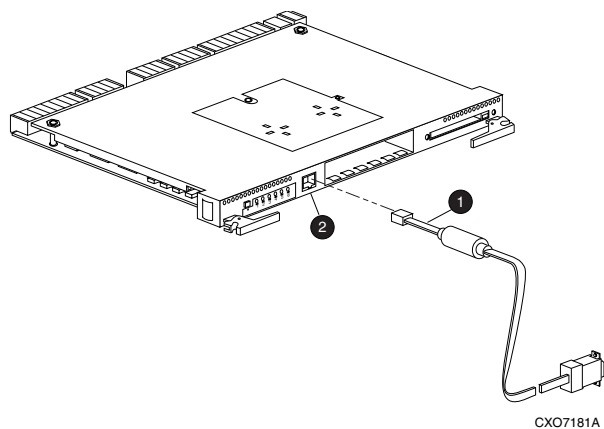
The configuration procedures assume that controllers and cache modules are installed in a fully functional and populated enclosure and that the PCMCIA cards are installed.

To install a controller or cache module and the PCMCIA card, see the *Compaq StorageWorks HSG60/HSG80 Array Controller ACS Version 8.5 Maintenance and Service Guide*.

## Establishing a Local Connection

A local connection is required to configure the controller until a command console LUN (CCL) is established using the CLI. Communication with the controller can be through the CLI or SWCC.

The maintenance port, as shown in Figure 5-1, provides a way to connect a maintenance terminal. The maintenance terminal can be an EIA-423 compatible terminal or a computer running a terminal emulator program. The maintenance port accepts a standard RS-232 jack. The maintenance port cable shown in Figure 5-1 has a 9-pin connector molded onto the end for a PC connection. If you need a terminal connection or a 25-pin connection, you can order optional cabling.



- ① Maintenance Port Cable
- ② Maintenance Port

Figure 5-1. Maintenance port connection





**CAUTION:** The maintenance port generates, uses, and can radiate radio-frequency energy through its cables. This energy may interfere with radio and television reception. Disconnect all maintenance port cables when not communicating with the controller through the local connection.

---

## Setting Up a Single Controller

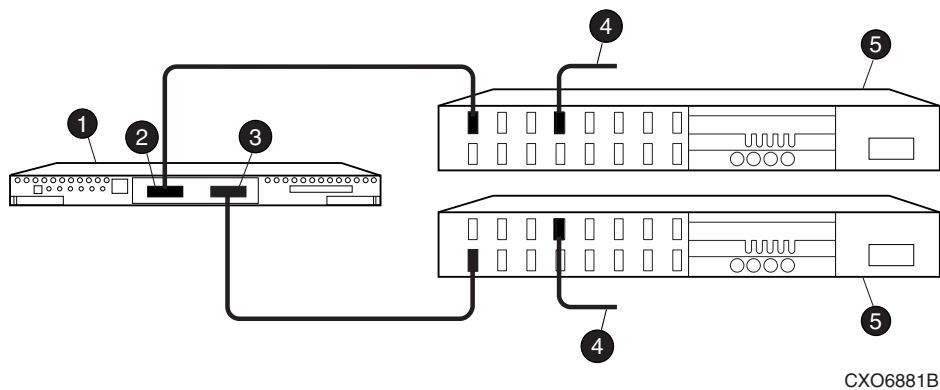
### Power On and Establish Communication

1. Connect the computer or terminal to the controller as shown in Figure 5-1. The connection to the computer is through the COMM1 or COMM2 ports.
2. Turn on the computer or terminal.
3. Apply power to the storage subsystem.
4. Configure the computer or terminal as follows:
  - 9600 baud
  - 8 data bits
  - 1 stop bit
  - no parity
5. Press **Enter**. A copyright notice and the CLI prompt appear, indicating that you established a local connection with the controller.

## Cabling a Single controller

The cabling for a single controller is shown in Figure 5-2.

**NOTE:** It is a good idea to plug only the controller cables into the switch. The host cables are plugged into the switch as part of the configuration procedure (“Configuring a Single Controller using CLI,” page 5-4).



- |               |   |
|---------------|---|
| ❶ controller  | ❷ cable from the switch to the host Fibre Channel adapter |
| ❸ host port 1 | ❹ FC switch   |
| ❹ host port 2 |   |

Figure 5-2. Single controller cabling

## Configuring a Single Controller using CLI

1. Enter a SHOW THIS command to verify the node ID:

```
SHOW THIS
```

See “Worldwide Names (Node IDs and Port IDs),” page 1-29, for the location of the sticker.

The node ID is located in the third line of the SHOW THIS result:

```
HSG> show this
Controller:
    HSG60 ZG80900583 Software V8.5L-0, Hardware E01
    NODE_ID          = 5000-1FE1-0001-3F00
    ALLOCATION_CLASS = 0
```

If the node ID is present, go to step 5.

If the node ID is all zeroes, enter the node ID and checksum, which are located on a sticker on the controller enclosure. Use the following syntax to enter the node ID:

```
SET THIS NODE_ID=NNNN-NNNN-NNNN-NNNN nn
```

NNNN-NNNN-NNNN-NNNN is the node ID and nn is the checksum.

2. If working with anything but a factory-new controller, enter the following command to take it out of any failover mode that may have been previously configured:

```
SET NOFAILOVER
```

If the controller did have a failover mode previously set, the CLI may report an error. Clear the error with this command:

```
CLEAR_ERRORS CLI
```

3. Set the version to SCSI-3 using the following command:

```
SET THIS SCSI_VERSION=SCSI-3
```

Setting the SCSI version to SCSI-3 does not make the controller fully compliant with the SCSI-3 standards.

4. Assign an identifier for the communication LUN (also called the command console LUN, or CCL). The CCL must have a unique identifier that is a decimal number in the range 1 to 32767, and which is different from the identifiers of all units. Use the following syntax:

```
SET THIS IDENTIFIER=N
```

Identifier must be unique among all the controllers attached to the fabric within the specified allocation class.

5. Set the topology for the controller. If both ports are used, set topology for both ports:

```
SET THIS PORT_1_TOPOLOGY=FABRIC
```

```
SET THIS PORT_2_TOPOLOGY=FABRIC
```

**5-6** *MA6000 HSG60 Array Controller ACS Version 8.5c Solution Software for HP-UX Installation and Configuration Guide*

If the controller is not factory-new, it may have another topology set, in which case these commands will result in an error message. If this happens, take both ports offline first, then reset the topology:

```
SET THIS PORT_1_TOPOLOGY=OFFLINE
```

```
SET THIS PORT_2_TOPOLOGY=OFFLINE
```

```
SET THIS PORT_1_TOPOLOGY=FABRIC
```

```
SET THIS PORT_2_TOPOLOGY=FABRIC
```

6. Set Allocation class to a decimal number between 0 and 999. The number must be unique across the fabric. Set allocation class using the following syntax:

```
SET THIS ALLOCATION_CLASS=N
```

7. Restart the controller, using the following command:

```
RESTART THIS
```

It takes about a minute for the CLI prompt to come back after a RESTART command.

8. Set the time on the controller using the following syntax:

```
SET THIS TIME=DD-MMM-YYYY:HH:MM:SS
```

9. Use the FRUTIL utility to set up the battery discharge timer. Enter the following command to start FRUTIL:

```
RUN FRUTIL
```

When FRUTIL asks if you intend to replace the battery, answer “Y”:

```
Do you intend to replace this controller's cache battery? Y/N [N] Y
```

FRUTIL will print out a procedure, but won't give you a prompt. Ignore the procedure and just press enter.

10. Set up any additional optional controller settings, such as changing the CLI prompt. See the SET *this\_controller/other controller* command in the *Compaq StorageWorks HSG60/HSG80 Array Controller ACS Version 8.5 CLI Reference Guide* for the format of optional settings.

11. Verify that all commands have taken effect. Use the following command:

```
SHOW THIS
```

Verify node ID, allocation class, SCSI version, failover mode, identifier, and port topology. Following is a sample result of a SHOW THIS command, with the areas of interest in bold.

```
Controller:
```

```
HSG60 (C) DEC ZG09030200 Software V85L, Hardware 0000
```

```
NODE_ID = 5000-1FE1-0000-0000
```

```

ALLOCATION_CLASS = 1
SCSI_VERSION     = SCSI-3
Not configured for dual-redundancy
Device Port SCSI address 7
Time: 10-Mar-1999:12:30:34
Command Console LUN is lun 0 (IDENTIFIER = 88)
Host PORT_1:
  Reported PORT_ID = 5000-1FE1-0000-0001
  PORT_1_TOPOLOGY = FABRIC (fabric up)
  Address          = 210313
Host PORT_2:
  Reported PORT_ID = 5000-1FE1-0000-0002
  PORT_2_TOPOLOGY = FABRIC (fabric up)
  Address          = 210513
  NOREMOTE_COPY
  . . . . .

```

12. Turn on the switches, if not done previously.

If you want to communicate with the FC switches through Telnet, set an IP address for each switch. See the manuals that came with the switches for details.

13. Plug in the Fibre Channel cable from the first adapter in the first host into the switch. Enter a `SHOW connections` command to view the connection table:

`SHOW CONNECTIONS`

The first connection will have one or more entries in the connection table. Each connection will have a default name of the form `!NEWCONxx`, where `xx` is a number representing the order in which the connection was added to the connection table.

Connection Name	Operating System	Controller	Port	Address	Status	Unit Offset
!NEWCON00	WNNT	OTHER	1	200613	OL other	0
HOST_ID=XXXX-XXXX-XXXX-XXXX			ADAPTER_ID=XXXX-XXXX-XXXX-XXXX			

For an explanation about why there may be multiple connections shown for one adapter, see page 1-13.

14. Rename the connection(s) to something meaningful to the system and easy to remember. For example, to assign the name ANGEL1A1 to connection !NEWCON01, enter:

```
RENAME !NEWCON01 ANGEL1A1
```

For a recommended naming convention, see “Naming Connections,” page 1–12.

15. Specify the operating system for the connection:

```
SET ANGEL1A1 OPERATING_SYSTEM=HP
```

16. Verify the changes:

```
SHOW CONNECTIONS
```

Mark or tag all Fibre Channel cables at both ends for ease of maintenance.

17. Repeat step 14, 15, and 16 for each of that adapter’s host connections or delete the unused connections from the table.
18. For each host adapter, repeat steps 13 through 17.

## Verifying Installation

To verify installation for your HP-UX host, enter the following command:

```
SHOW DEVICES
```

## Setting Up a Controller Pair

### Power On and Establish Communication

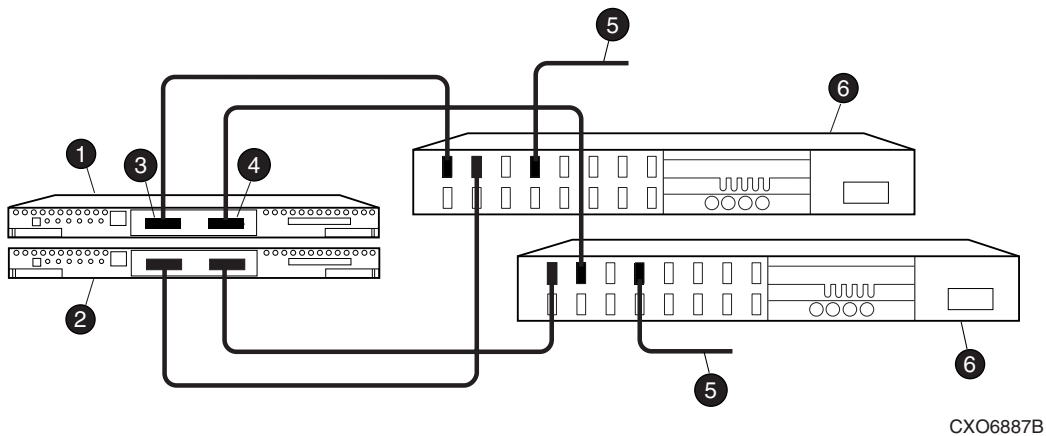
1. Connect the computer or terminal to the controller as shown in Figure 5–1. The connection to the computer is through the COMM1 or COMM2 ports.
2. Turn on the computer or terminal.
3. Apply power to the storage subsystem.
4. Configure the computer or terminal as follows:
  - 9600 baud
  - 8 data bits
  - 1 stop bit
  - no parity

5. Press **Enter**. A copyright notice and the CLI prompt appear, indicating that you established a local connection with the controller.

## Cabling a Controller Pair

The cabling for a controller pair is shown in Figure 5-3.

**NOTE:** It is a good idea to plug only the controller cables into the switch. The host cables are plugged into the switch as part of the configuration procedure (“Configuring a Controller Pair using CLI,” page 5-9).



- |                |  |
|----------------|--|
| ❶ controller A | ❷ host port 1                                  |
| ❸ controller B | ❸ cable from the switch to the host FC adapter |
| ❹ host port 2  | ❹ FC switch                                    |

Figure 5-3. Controller pair failover cabling

## Configuring a Controller Pair using CLI

1. Enter a `SHOW THIS` command to verify the node ID:  
`SHOW THIS`  
 See “Worldwide Names (Node IDs and Port IDs),” page 1-29, for the location of the sticker.

**5-10** *MA6000 HSG60 Array Controller ACS Version 8.5c Solution Software for HP-UX Installation and Configuration Guide*

The node ID is located in the third line of the SHOW THIS result:

```
HSG> show this
Controller:
  HSG60 ZG80900583 Software V8.5L-0, Hardware E01
  NODE_ID          = 5000-1FE1-0001-3F00
  ALLOCATION_CLASS = 0
```

If the node ID is present, go to step 5.

If the node ID is all zeroes, enter the node ID and checksum, which are located on a sticker on the controller enclosure. Use the following syntax to enter the node ID:

```
SET THIS NODE_ID=NNNN-NNNN-NNNN-NNNN nn
```

NNNN-NNNN-NNNN-NNNN is the node ID and nn is the checksum.

2. If working with anything but a factory-new controller, enter the following command to take it out of any failover mode that may have been previously configured:

```
SET NOFAILOVER
```

If the controller did have a failover mode previously set, the CLI may report an error. Clear the error with this command:

```
CLEAR_ERRORS CLI
```

3. Set the version to SCSI-3 using the following command:

```
SET THIS SCSI_VERSION=SCSI-3
```

Setting the SCSI version to SCSI-3 does not make the controller fully compliant with the SCSI-3 standards.

4. Assign an identifier for the communication LUN (also called the command console LUN, or CCL). The CCL must have a unique identifier that is a decimal number in the range 1 to 32767, and which is different from the identifiers of all units. Use the following syntax:

```
SET THIS IDENTIFIER=N
```

Identifier must be unique among all the controllers attached to the fabric within the specified allocation class.

5. Set the topology for the controller. If both ports are used, set topology for both ports:

```
SET THIS PORT_1_TOPOLOGY=FABRIC
```

```
SET THIS PORT_2_TOPOLOGY=FABRIC
```



If the controller is not factory-new, it may have another topology set, in which case these commands will result in an error message. If this happens, take both ports offline first, then reset the topology:

```
SET THIS PORT_1_TOPOLOGY=OFFLINE
SET THIS PORT_2_TOPOLOGY=OFFLINE
SET THIS PORT_1_TOPOLOGY=FABRIC
SET THIS PORT_2_TOPOLOGY=FABRIC
```

6. Set Allocation class to a decimal number between 0 and 999. The number must be unique across the fabric. Set allocation class using the following syntax:
 

```
SET THIS ALLOCATION_CLASS=N
```
7. Restart the controller, using the following command:
 

```
RESTART THIS
```

It takes about a minute for the CLI prompt to come back after a RESTART command.
8. Set the time on the controller using the following syntax:
 

```
SET THIS TIME=DD-MMM-YYYY:HH:MM:SS
```
9. Use the FRUTIL utility to set up the battery discharge timer. Enter the following command to start FRUTIL:
 

```
RUN FRUTIL
```

When FRUTIL asks if you intend to replace the battery, answer “Y”:

```
Do you intend to replace this controller's cache battery? Y/N [N] Y
```

FRUTIL will print out a procedure, but won't give you a prompt. Ignore the procedure and just press enter.
10. Set up any additional optional controller settings, such as changing the CLI prompt. See the SET *this\_controller/other controller* command in the *Compaq StorageWorks HSG60/HSG80 Array Controller ACS Version 8.5 CLI Reference Guide* for the format of optional settings.
11. Verify that all commands have taken effect. Use the following command:
 

```
SHOW THIS
```

Verify node ID, allocation class, SCSI version, failover mode, identifier, and port topology. Following is a sample result of a SHOW THIS command, with the areas of interest in bold.

```
Controller:
HSG60 (C) DEC ZG09030200 Software V85L, Hardware 0000
NODE_ID = 5000-1FE1-0000-0000
```

**5-12** *MA6000 HSG60 Array Controller ACS Version 8.5c Solution Software for HP-UX Installation and Configuration Guide*

```
ALLOCATION_CLASS = 1
SCSI_VERSION     = SCSI-3
Not configured for dual-redundancy
Device Port SCSI address 7
Time: 10-Mar-1999:12:30:34
Command Console LUN is lun 0 (IDENTIFIER = 88)
Host PORT_1:
  Reported PORT_ID = 5000-1FE1-0000-0001
  PORT_1_TOPOLOGY = FABRIC (fabric up)
  Address          = 210313
Host PORT_2:
  Reported PORT_ID = 5000-1FE1-0000-0002
  PORT_2_TOPOLOGY = FABRIC (fabric up)
  Address          = 210513
  NOREMOTE_COPY
.....
```

12. Turn on the switches, if not done previously.

If you want to communicate with the FC switches through Telnet, set an IP address for each switch. See the manuals that came with the switches for details.

13. Plug in the Fibre Channel cable from the first adapter on the first host into the switch. Enter a `SHOW connections` command to view the connection table:

```
SHOW CONNECTIONS
```

The first connection will have one or more entries in the connection table. Each connection will have a default name of the form `!NEWCONxx`, where `xx` is a number representing the order in which the connection was added to the connection table.

For a description of why plugging in one adapter can result in multiple connections, see “Numbers of Connections,” page 1-13.

14. Rename the connection(s) to something meaningful to the system and easy to remember. For example, to assign the name `ANGEL1A1` to connection `!NEWCON01`, enter:

```
RENAME !NEWCON01 ANGEL1A1
```

Compaq recommends using a naming convention, see “Naming Connections,” page 1-12.

15. Specify the operating system for the connection:

```
SET ANGEL1A1 OPERATING_SYSTEM=HP
```

16. Verify the changes:

SHOW CONNECTIONS

Mark or tag all Fibre Channel cables at both ends for ease of maintenance.

17. Repeat steps 14, 15, and 16 for each of that adapter's host connections or delete the unwanted connections from the table.

18. For each host adapter, repeat steps 13 through 17.

## Verifying Installation

To verify installation for your HP-UX host, enter the following command:

SHOW DEVICES

## Configuring Devices

The disks on the device bus of the HSG60 can be configured manually or with the CONFIG utility. The CONFIG utility is easier. Invoke CONFIG with the following command:

RUN CONFIG

CONFIG takes about 2 minutes to discover and map the configuration of a completely populated storage system.

## Configuring a Stripese

1. Create the stripeset by adding its name to the controller's list of storagesets and specifying the disk drives it contains. Use the following syntax:

ADD STRIPESET STRIPESET-NAME DISKNNNNN DISKNNNNN .....

2. Initialize the stripeset, specifying any desired switches:

INITIALIZE STRIPESET-NAME SWITCHES

See "Initialization Switches" on page 2-24 for a description of the initialization switches.

3. Verify the stripeset configuration:

SHOW STRIPESET-NAME

4. Assign the stripeset a unit number to make it accessible by the hosts. See "Assigning Unit Numbers and Unit Qualifiers" on page 5-19.

**5-14** *MA6000 HSG60 Array Controller ACS Version 8.5c Solution Software for HP-UX Installation and Configuration Guide*

**Example:**

The commands to create Stripe1, a stripeset consisting of three disks (DISK10000, DISK20000, and DISK10100) and having a chunksize of 128:

```
ADD STRIPESSET STRIPE1 DISK10000 DISK20000 DISK10100
```

```
INITIALIZE STRIPE1 CHUNKSIZE=128
```

```
SHOW STRIPE1
```

## Configuring a Mirrorset

1. Create the mirrorset by adding its name to the controller's list of storagesets and specifying the disk drives it contains. Optionally, you can append mirrorset switch values:

```
ADD MIRRORSET MIRRORSET-NAME DISKNNNNN DISKNNNNN SWITCHES
```

**NOTE:** See the ADD MIRRORSET command in the *Compaq StorageWorks HSG60/HSG80 Array Controller ACS Version 8.5 CLI Reference Guide* for a description of the mirrorset switches.

2. Initialize the mirrorset, specifying any desired switches:

```
INITIALIZE MIRRORSET-NAME SWITCHES
```

See “Initialization Switches” on page 2–24 for a description of the initialization switches.

3. Verify the mirrorset configuration:

```
SHOW MIRRORSET-NAME
```

4. Assign the mirrorset a unit number to make it accessible by the hosts. See “Assigning Unit Numbers and Unit Qualifiers” on page 5–19.

### Example:

The commands to create Mirr1, a mirrorset with two members (DISK10000 and DISK20000), and to initialize it using default switch settings:

```
ADD MIRRORSET MIRR1 DISK10000 DISK20000
INITIALIZE MIRR1
SHOW MIRR1
```

## Configuring a RAIDset

1. Create the RAIDset by adding its name to the controller's list of storagesets and specifying the disk drives it contains. Optionally, you can specify RAIDset switch values:

```
ADD RAIDSET RAIDSET-NAME DISKNNNNN DISKNNNNN DISKNNNNN SWITCHES
```

**NOTE:** See the ADD RAIDSET command in the *Compaq StorageWorks HSG60/HSG80 Array Controller ACS Version 8.5 CLI Reference Guide* for a description of the RAIDset switches.

2. Initialize the RAIDset, specifying any desired switches:

```
INITIALIZE RAIDSET-NAME SWITCH
```

**NOTE:** Compaq recommends that you allow initial reconstruct to complete before allowing I/O to the RAIDset. Not doing so may generate forced errors at the host level. To determine whether initial reconstruct has completed, enter SHOW RAIDSET FULL.

See “Initialization Switches” on page 2–24 for a description of the initialization switches.

3. Verify the RAIDset configuration:

```
SHOW RAIDSET-NAME
```

4. Assign the RAIDset a unit number to make it accessible by the hosts. See “Assigning Unit Numbers and Unit Qualifiers” on page 5–19.

**Example:**

The commands to create RAID1, a RAIDset with three members (DISK10000 DISK20000 and DISK10100) and to initialize it with default values:

```
ADD RAIDSET RAID1 DISK10000 DISK20000 DISK10100
```

```
INITIALIZE RAID1
```

```
SHOW RAID1
```

## Configuring a Striped Mirrorset

1. Create, but do not initialize, at least two mirrorsets.

See “Configuring a Mirrorset” on page 5–15.

2. Create a stripeset and specify the mirrorsets it contains:

```
ADD STRIPESET STRIPESET-NAME MIRRORSET-1 MIRRORSET-2...MIRRORSET-N
```

3. Initialize the striped mirrorset, specifying any desired switches:

```
INITIALIZE STRIPESET-NAME SWITCH
```

See “Initialization Switches” on page 2–24 for a description of the initialization switches.

4. Verify the striped mirrorset configuration:

```
SHOW STRIPESET-NAME
```

5. Assign the stripeset mirrorset a unit number to make it accessible by the hosts. See “Assigning Unit Numbers and Unit Qualifiers” on page 5–19.

**Example:**

The commands to create Stripe1, a striped mirrorset that comprises Mirr1, Mirr2, and Mirr3, each of which is a two-member mirrorset:

```
ADD MIRRORSET MIRR1 DISK10000 DISK20000
ADD MIRRORSET MIRR2 DISK20100 DISK10100
ADD MIRRORSET MIRR3 DISK10200 DISK20200
ADD STRIPESET STRIPE1 MIRR1 MIRR2 MIRR3
INITIALIZE STRIPE1
SHOW STRIPE1
```

## Configuring a Single-Disk (JBOD) Unit

1. Initialize the disk drive, specifying any desired switches:

```
INITIALIZE DISK-NAME SWITCHES
```

See “Initialization Switches” on page 2–24 for a description of the initialization switches.

2. Verify the configuration using the following command:

```
SHOW DISK-NAME
```

3. Assign the disk a unit number to make it accessible by the hosts. See “Assigning Unit Numbers and Unit Qualifiers” on page 5–19.

## Configuring a Partition

1. Initialize the storageset or disk drive, specifying any desired switches:

```
INITIALIZE STORAGESET-NAME SWITCHES
```

or

```
INITIALIZE DISK-NAME SWITCHES
```

See “Initialization Switches” on page 2–24 for a description of the initialization switches.

**5-18** *MA6000 HSG60 Array Controller ACS Version 8.5c Solution Software for HP-UX Installation and Configuration Guide*

2. Create each partition in the storageset or disk drive by indicating the partition's size. Also specify any desired switch settings:

```
CREATE_PARTITION STORAGESET-NAME SIZE=N SWITCHES
```

or

```
CREATE_PARTITION DISK-NAME SIZE=N SWITCHES
```

where N is the percentage of the disk drive or storageset that will be assigned to the partition. Enter SIZE=LARGEST to let the controller assign the largest free space available to the partition.

**NOTE:** See the CREATE\_PARTITION command in the *Compaq StorageWorks HSG60/HSG80 Array Controller ACS Version 8.5 CLI Reference Guide* for a description of the partition switches.

3. Verify the partitions:

```
SHOW STORAGESET-NAME
```

or

```
SHOW DISK-NAME
```

The partition number appears in the first column, followed by the size and starting block of each partition.

4. Assign the partition a unit number to make it accessible by the hosts. See "Assigning Unit Numbers and Unit Qualifiers" on page 5-19.

**Example:**

The commands to create RAID1, a three-member RAIDset, then partition it into two storage units:

```
ADD RAIDSET RAID1 DISK10000 DISK20000 DISK10100
```

```
INITIALIZE RAID1
```

```
CREATE_PARTITION RAID1 SIZE=25
```

```
CREATE_PARTITION RAID1 SIZE=LARGEST
```

```
SHOW RAID1
```



## Assigning Unit Numbers and Unit Qualifiers

Each storageset, partition, or single (JBOD) disk must be assigned a unit number for the host to access. As the units are added, their properties can be specified through the use of command qualifiers, which are discussed in detail under the ADD UNIT command in the *Compaq StorageWorks HSG60/HSG80 Array Controller ACS Version 8.5 CLI Reference Guide*.

Each unit can be reserved for the exclusive use of a host or group of hosts. See “Restricting Host Access in Transparent Failover Mode,” page 1-22 and “Restricting Host Access in Multiple-Bus Failover Mode,” page 1-24.

### Assigning a Unit Number to a Storageset

To assign a unit number to a storageset, use the following syntax:

```
ADD UNIT UNIT-NUMBER STORAGESET-NAME
```

**Example:**

To assign unit D102 to RAIDset R1 use the following command:

```
ADD UNIT D102 R1
```

### Assigning a Unit Number to a Single (JBOD) Disk

To assign a unit number to a single (JBOD) disk, use the following syntax:

```
ADD UNIT UNIT-NUMBER DISK-NAME
```

**Example:**

To assign unit D4 to disk20300, use the following command:

```
ADD UNIT D4 DISK20300
```

### Assigning a Unit Number to a Partition

To assign a unit number to a partition, use the following syntax:

```
ADD UNIT UNIT-NUMBER STORAGESET-NAME PARTITION=PARTITION-NUMBER
```

**Example:**

To assign unit D100 to partition 3 of mirrorset mirr1, use the following command:

```
ADD UNIT D100 MIRR1 PARTITION=3
```

## Assigning Unit Identifiers

One unique step is required when configuring storage units for HP-UX: specifying an identifier (or LUN ID alias) for each unit. A unique identifier is required for each unit (virtual disk). This identifier must be unique in the cluster.

This section gives two examples of setting an identifier for a previously created unit: one using CLI and one using SWCC. The CLI uses older and less industry standard terms “identifier” and “unit”, while SWCC uses the terms “LUN ID alias” and “virtual disk”.

Identifier = LUN ID alias

Unit = virtual disk

### Using CLI to Specify Identifier for a Unit

The command syntax for setting the identifier for a previously created unit (virtual disk) is as follows:

```
SET UNIT_NUMBER IDENTIFIER=NN
```

It is strongly suggested that, for simplicity, the identifier match the unit number. For example, to set an identifier of 97 for unit D97, use the following command:

```
SET D97 IDENTIFIER=97
```

### USING SWCC TO SPECIFY LUN ID ALIAS FOR A VIRTUAL DISK

Setting a LUN ID alias for a virtual disk is the same as setting a unit identifier. To set LUN ID alias for a previously created virtual disk, navigate to the storage window.

This brings up the properties window for that virtual disk. Click on the Settings Tab to see changeable properties. Click on the “Enable LUN ID Alias” button, and enter the LUN ID alias (identifier) in the following field. It is strongly suggested that, for simplicity, the LUN ID alias match the virtual disk number.

## Preferring Units

In multiple-bus failover mode, individual units can be preferred to a specific controller. To prefer, for example, unit D102 to “this controller,” use the following command:

```
SET D102 PREFERRED_PATH=THIS
```

RESTART commands must be issued to both controllers for this command to take effect:

```
RESTART THIS_CONTROLLER  
RESTART OTHER_CONTROLLER
```

**NOTE:** The controllers need to restart together for the preferred settings to take effect. The RESTART *other\_controller* command must be entered immediately after the RESTART *this\_controller* command.

## Configuration Options

### Changing the CLI Prompt

To change the CLI prompt, enter a 1- to 16- character string as the new prompt, as follows:

```
SET THIS_CONTROLLER PROMPT = "NEW PROMPT"
```

If you are configuring dual-redundant controllers, also change the CLI prompt on the “other controller.” Use the following command:

```
SET OTHER_CONTROLLER PROMPT = "NEW PROMPT"
```

It is suggested that the prompts reflect something about the controllers. For example, if the subsystem is the third one in a lab, give the top controller a prompt like LAB3A and the bottom controller, LAB3B.

### Mirroring cache

To specify mirrored cache:

```
SET THIS MIRRORED_CACHE
```

## **Adding Disk Drives**

If you add new disk drives to the subsystem, the disk drives must be added to the controllers' list of known devices:

- To add one new disk drive to the list of known devices, enter the following command:

```
ADD DISK DISKNNN PTL-LOCATION
```

- To add several new disk drives to the list of known devices, enter the following command:

```
RUN CONFIG
```

## Adding a Disk Drive to the Spareset

The spareset is a collection of spare disk drives that are available to the controller should it need to replace a failed member of a RAIDset or mirrorset.

**NOTE:** This procedure assumes that the disks that you are adding to the spareset have already been added to the controller's list of known devices.

To add the disk drive to the controller's spareset list:

```
ADD SPARESET DISKNNNNN
```

Repeat this step for each disk drive you want to add to the spareset:

### **Example:**

The following example shows the commands for adding DISK11300 and DISK21300 to the spareset.

```
ADD SPARESET DISK11300
```

```
ADD SPARESET DISK21300
```

## Removing a Disk Drive from the Spareset

You can delete disks in the spareset if you need to use them elsewhere in your subsystem.

1. Show the contents of the spareset using the following command:

```
SHOW SPARESET
```

2. Delete the desired disk drive using the following command:

```
DELETE SPARESET DISKNNNNN
```

3. Verify the contents of the spareset using the following command:

```
SHOW SPARESET
```

## Enabling Autospare

With AUTOSPARE enabled on the failedset, any new disk drive that is inserted into the PTL location of a failed disk drive is automatically initialized and placed into the spareset. If initialization fails, the disk drive remains in the failedset until you manually delete it from the failedset.

## 5-24 MA6000 HSG60 Array Controller ACS Version 8.5c Solution Software for HP-UX Installation and Configuration Guide

To enable autospare use the following command:

```
SET FAILEDSET AUTOSPARE
```

To disable autospare use the following command:

```
SET FAILEDSET NOAUTOSPARE
```

During initialization, AUTOSPARE checks to see if the new disk drive contains metadata. Metadata is information the controller writes on the disk drive when the disk drive is configured into a storageset. Therefore, the presence of metadata indicates the disk drive belongs to, or has been used by, a storageset. If the disk drive contains metadata, initialization stops. (A new disk drive will not contain metadata but a repaired or re-used disk drive might. To erase metadata from a disk drive, add it to the controller's list of devices, then set it to be transportable and initialize it.)

### Deleting a Storageset

**NOTE:** If the storageset you are deleting is partitioned, you must delete each partitioned unit before you can delete the storageset.

1. Show the storageset's configuration:

```
SHOW STORAGESET-NAME
```

2. Delete the unit number that uses the storageset. Use the following command:

```
DELETE UNIT-NUMBER
```

3. Delete the storageset. Use the following command:

```
DELETE STORAGESET-NAME
```

4. Verify the configuration:

```
SHOW STORAGESET-NAME
```

### Changing Switches for a Storageset or Device

You can optimize a storageset or device at any time by changing the switches that are associated with it. Remember to update the storageset's profile when you change its switches.

### Displaying the Current Switches

To display the current switches for a storageset or single-disk unit, enter a `SHOW` command, specifying the `FULL` switch:

```
SHOW STORAGESET-NAME
```

or

```
SHOW DEVICE-NAME FULL
```

### Changing RAIDset and Mirrorset Switches

Use the `SET storageset-name` command to change the RAIDset and Mirrorset switches associated with an existing storageset. For example, the following command changes the replacement policy for RAIDset RAID1 to `BEST_FIT`:

```
SET RAID1 POLICY=BEST_FIT
```

### Changing Device Switches

Use the `SET device-name` command to change the device switches. For example, to request a data transfer rate of 20 MHz for DISK10000:

```
SET DISK10000 TRANSFER_RATE_REQUESTED=20MHZ
```

### Changing Initialize Switches

The initialization switches cannot be changed without destroying the data on the storageset or device. These switches are integral to the formatting and can only be changed by reinitializing the storageset. Initializing a storageset is similar to formatting a disk drive; all data is destroyed during this procedure.

### Changing Unit Switches

Use the `SET unit-name` command to change the characteristics of a unit. For example, the following command enables write protection for unit D100:

```
SET D100 WRITE_PROTECT
```





# Chapter 6

## Configuration Example Using CLI

This chapter presents an example of configuring a particular storage subsystem using the CLI.

The CLI configuration example shown assumes:

- a normal, new controller pair, meaning:
  - NODE ID set
  - no previous failover mode
  - no previous topology set
- Full array with no expansion cabinet
- PCMCIA cards installed in both controllers

An example storage subsystem is shown in Figure 6-1. The example system contains three non-clustered HP hosts, as shown in Figure 6-2. From the hosts' point of view, each host will have four paths to its own virtual disks. The resulting virtual system from the hosts' point of view is shown in Figure 6-3.

The name of the example storage subsystem is "BTVS." The top controller will be named "BTVS TOP" and the bottom controller will be named "BTVS BOTTOM." In the example, the CLI prompts will be changed to the controllers' names. The only other option chosen for the controller pair is mirrored cache.

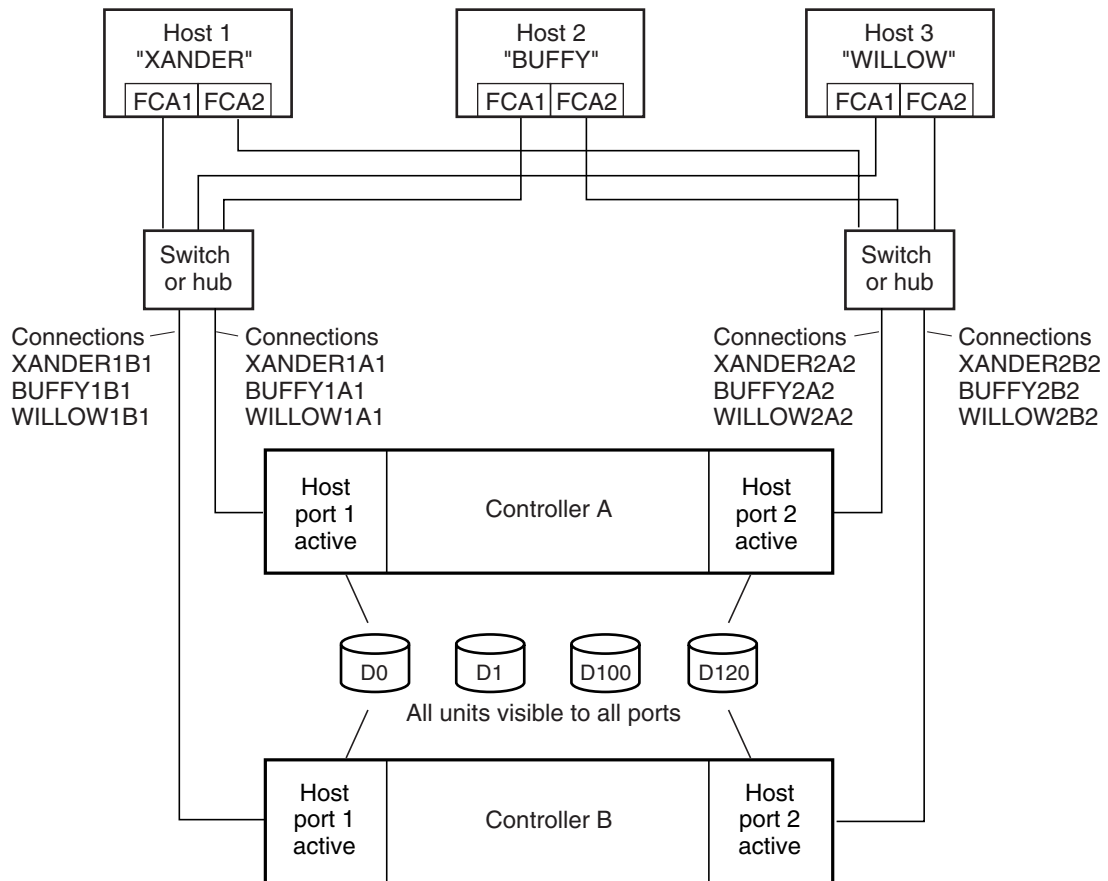
The example uses these conventions:

- Screen messages from CLI or utilities are boxed.
- Instructions to users are in italics.

Model 4214R Disk Enclosure Shelf 1 (single-bus)														
Bay	1	2	3	4	5	6	7	8	9	10	11	12	13	14
<b>SCSI ID</b>	00	01	02	03	04	05	08	09	10	11	12	13	14	15
<b>DISK ID</b>	D0 R1 DISK10000	D0 R1 DISK10100	D0 R1 DISK10200	D1 S1 M1 DISK10300	D1 S1 M1 DISK10400	D1 S1 M2 DISK10500	D1 S1 M2 DISK10800	D100 M3 DISK10900	D100 M3 DISK11000	D120 S2 DISK11100	D120 S2 DISK11200	Spare DISK11300	not supported	not supported

Model 4214R Disk Enclosure Shelf 2 (single-bus)														
Bay	1	2	3	4	5	6	7	8	9	10	11	12	13	14“Example storage map,” page 28
<b>SCSI ID</b>	00	01	02	03	04	05	08	09	10	11	12	13	14	15
<b>DISK ID</b>	D0 R1 DISK20000	D0 R1 DISK20100	D0 R1 DISK20200	D1 S1 M1 DISK20300	D1 S1 M1 DISK20400	D1 S1 M2 DISK20500	D1 S1 M2 DISK20800	D100 M3 DISK20900	D100 M3 DISK21000	D120 S2 DISK21100	D120 S2 DISK21200	Spare DISK21300	not supported	not supported

Figure 6-1. Example storage map



NOTE: FCA = Fibre Channel Adapter

CXO7298A

Figure 6-2. Example system

**6-4** MA6000 HSG60 Array Controller ACS Version 8.5c Solution Software for HP-UX Installation and Configuration Guide

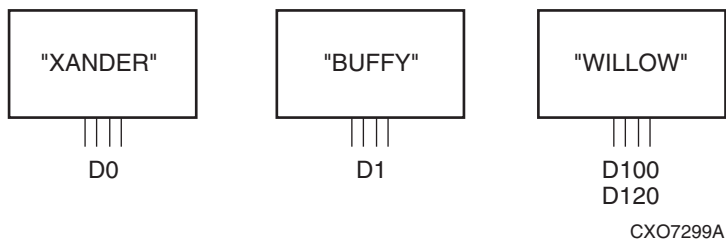


Figure 6-3. Example virtual layout from the hosts' point of view

## CLI Configuration Example

**NOTE:** "This" controller is top controller (A).

*Plug serial cable from maintenance terminal into top controller.*

```
CLEAR CLI
SET MULTIBUS COPY=THIS
CLEAR CLI
SET THIS SCSI_VERSION=SCSI-3
SET THIS IDENTIFIER=88
SET THIS PORT_1_TOPOLOGY=OFFLINE
SET THIS PORT_1_TOPOLOGY=FABRIC
SET THIS PORT_1_TOPOLOGY=OFFLINE
SET THIS PORT_2_TOPOLOGY=FABRIC
SET OTHER PORT_1_TOPOLOGY=FABRIC
SET OTHER PORT_2_TOPOLOGY=FABRIC
SET THIS ALLOCATION_CLASS=1
RESTART OTHER
RESTART THIS
SET THIS TIME=11-JAN-2000:10:20:00
```

RUN FRUTIL

Do you intend to replace this controller's cache battery? Y/N [N]

Y

*Plug serial cable from maintenance terminal into bottom controller.*

**NOTE:** Bottom controller (B) becomes "this" controller.

RUN FRUTIL

Do you intend to replace this controller's cache battery? Y/N [N]

Y

SET THIS MIRRORED\_CACHE.

**NOTE:** This command causes the controllers to restart.

SET THIS PROMPT="BTVS BOTTOM"

SET OTHER PROMPT="BTVS TOP"

SHOW THIS

SHOW OTHER

SET WILLOW1A1 UNIT\_OFFSET=100

SET WILLOW1B1 UNIT\_OFFSET=100

SET WILLOW2A2 UNIT\_OFFSET=100

SET WILLOW2B2 UNIT\_OFFSET=100

RUN CONFIG

ADD RAIDSET R1 DISK10000 DISK20000 DISK10100 DISK20100 DISK10200 DISK20200

INITIALIZE R1

ADD UNIT D0R1 DISABLE\_ACCESS\_PATH=ALL

SET DO ENABLE\_ACCESS\_PATH=(XANDER1A1, XANDER1B1, XANDER2A2, XANDER2B2)

SET DO IDENTIFIER=0

ADD MIRRORSET M1 DISK10300 DISK20300 DISK10400 DISK20400

ADD MIRRORSET M2 DISK10500 DISK20500 DISK10800 DISK20800

ADD STRIPESET S1 M1 M2

INITIALIZE S1

ADD UNIT D1 S1 DISABLE\_ACCESS\_PATH=ALL

**6-6** *MA6000 HSG60 Array Controller ACS Version 8.5c Solution Software for HP-UX Installation and Configuration Guide*

```

SET D1 ENABLE_ACCESS_PATH=(BUFFY1A1, BUFFY1B1, BUFFY2A2, BUFFY2B2)
SET D1 IDENTIFIER=1
ADD MIRRORSET M3 DISK10900 DISK20900 DISK11000 DISK21000
INITIALIZE M3
ADD UNIT D100 M3 DISABLE_ACCESS_PATH=ALL
SET D100 ENABLE_ACCESS_PATH=(WILLOW1A1, WILLOW1B1, WILLOW2A2, WILLOW2B2)
SET D100 IDENTIFIER=100
ADD STRIPESSET S2 DISK11100 DISK11200 DISK21100 DISK21200
INITIALIZE S2
ADD UNIT D120 S2 DISABLE_ACCESS_PATH=ALL
SET D120 ENABLE_ACCESS_PATH=(WILLOW1A1, WILLOW1B1, WILLOW2A2, WILLOW2B2)
SET D120 IDENTIFIER=120
ADD SPARESET DISK11300
ADD SPARESET DISK21300
SHOW UNITS ALL

```

*Plug in the Fibre Channel cable from the first adapter in host "XANDER."*

```

SHOW CONNECTIONS

RENAME !NEWCON00 XANDER1B1
SET XANDER1B1 OPERATING_SYSTEM=HP
RENAME !NEWCON01 XANDER1A1
SET XANDER1A1 OPERATING_SYSTEM=HP
SHOW CONNECTIONS

```

**NOTE:** Connection table sorts alphabetically.

Connection Name	Operating System	Controller	Port	Address	Status	Unit Offset
XANDER1A1	HP	OTHER	1	XXXXXX	OL other	0
HOST_ID=XXXX-XXXX-XXXX-XXXX			ADAPTER_ID=XXXX-XXXX-XXXX-XXXX			
XANDER1B1	HP	THIS	1	XXXXXX	OL this	0
HOST_ID=XXXX-XXXX-XXXX-XXXX			ADAPTER_ID=XXXX-XXXX-XXXX-XXXX			

Mark or tag both ends of Fibre Channel cables.

Plug in the Fibre Channel cable from the second adapter in host "XANDER."

SHOW CONNECTIONS

Connection Name	Operating System	Controller	Port	Address	Status	Unit Offset
!NEWCON02	HP	THIS	2	XXXXXX	OL this	0
HOST_ID=XXXX-XXXX-XXXX-XXXX				ADAPTER_ID=XXXX-XXXX-XXXX-XXXX		
!NEWCON03	HP	OTHER	2	XXXXXX	OL other	0
HOST_ID=XXXX-XXXX-XXXX-XXXX				ADAPTER_ID=XXXX-XXXX-XXXX-XXXX		
XANDER1A1	HP	OTHER	1	XXXXXX	OL other	0
...						

```

RENAME !NEWCON02 XANDER2B2
SET XANDER2B2 OPERATING_SYSTEM=HP
RENAME !NEWCON02 XANDER2A2
SET XANDER2A2 OPERATING_SYSTEM=HP
SHOW CONNECTIONS
    
```

Connection Name	Operating System	Controller	Port	Address	Status	Unit Offset
XANDER1A1	HP	OTHER	1	XXXXXX	OL other	0
HOST_ID=XXXX-XXXX-XXXX-XXXX				ADAPTER_ID=XXXX-XXXX-XXXX-XXXX		
XANDER1B1	HP	THIS	1	XXXXXX	OL this	0
HOST_ID=XXXX-XXXX-XXXX-XXXX				ADAPTER_ID=XXXX-XXXX-XXXX-XXXX		
XANDER2A2	HP	OTHER	2	XXXXXX	OL other	0
HOST_ID=XXXX-XXXX-XXXX-XXXX				ADAPTER_ID=XXXX-XXXX-XXXX-XXXX		
XANDER2B2	HP	THIS	2	XXXXXX	OL this	0
HOST_ID=XXXX-XXXX-XXXX-XXXX				ADAPTER_ID=XXXX-XXXX-XXXX-XXXX		

Mark or tag both ends of Fibre Channel cables

**6-8** MA6000 HSG60 Array Controller ACS Version 8.5c Solution Software for HP-UX Installation and Configuration Guide

Repeat this process to add connections from the other two hosts. The resulting connection table should appear similar to the following:

Connection Name	Operating System	Controller	Port	Address	Status	Unit Offset
BUFFY1A1	HP	OTHER	1	XXXXXX	OL other	0
				HOST_ID=XXXX-XXXX-XXXX-XXXX	ADAPTER_ID=XXXX-XXXX-XXXX-XXXX	
BUFFY1B1	HP	THIS	1	XXXXXX	OL this	0
				HOST_ID=XXXX-XXXX-XXXX-XXXX	ADAPTER_ID=XXXX-XXXX-XXXX-XXXX	
BUFFY2A2	HP	OTHER	2	XXXXXX	OL other	0
				HOST_ID=XXXX-XXXX-XXXX-XXXX	ADAPTER_ID=XXXX-XXXX-XXXX-XXXX	
BUFFY2B2	HP	THIS	2	XXXXXX	OL this	0
				HOST_ID=XXXX-XXXX-XXXX-XXXX	ADAPTER_ID=XXXX-XXXX-XXXX-XXXX	
WILLOW1A1	HP	OTHER	1	XXXXXX	OL other	0
				HOST_ID=XXXX-XXXX-XXXX-XXXX	ADAPTER_ID=XXXX-XXXX-XXXX-XXXX	
WILLOW1B1	HP	THIS	1	XXXXXX	OL this	0
				HOST_ID=XXXX-XXXX-XXXX-XXXX	ADAPTER_ID=XXXX-XXXX-XXXX-XXXX	
WILLOW2A2	HP	OTHER	2	XXXXXX	OL other	0
				HOST_ID=XXXX-XXXX-XXXX-XXXX	ADAPTER_ID=XXXX-XXXX-XXXX-XXXX	
WILLOW2B2	HP	THIS	2	XXXXXX	OL this	0
				HOST_ID=XXXX-XXXX-XXXX-XXXX	ADAPTER_ID=XXXX-XXXX-XXXX-XXXX	
XANDER1A1	HP	OTHER	1	XXXXXX	OL other	0
				HOST_ID=XXXX-XXXX-XXXX-XXXX	ADAPTER_ID=XXXX-XXXX-XXXX-XXXX	
XANDER1B1	HP	THIS	1	XXXXXX	OL this	0
				HOST_ID=XXXX-XXXX-XXXX-XXXX	ADAPTER_ID=XXXX-XXXX-XXXX-XXXX	
XANDER2A2	HP	OTHER	2	XXXXXX	OL other	0
				HOST_ID=XXXX-XXXX-XXXX-XXXX	ADAPTER_ID=XXXX-XXXX-XXXX-XXXX	
XANDER2B2	HP	THIS	2	XXXXXX	OL this	0
				HOST_ID=XXXX-XXXX-XXXX-XXXX	ADAPTER_ID=XXXX-XXXX-XXXX-XXXX	



*Configuration Example Using CLI* **6-9**

For more information on using CLI, please see the *Compaq StorageWorks HSG60/HSG80 Array Controller ACS Version 8.5 CLI Reference Guide*



# Chapter 7

## Backing Up the Subsystem, Cloning Data for Backup, and Moving Stagesets

This chapter describes some common procedures that are not part of configuration.

The following information is included in this chapter:

- “Backing Up the Subsystem Configuration,” page 7–37
- “Cloning Data for Backup,” page 7–38
- “Moving Stagesets,” page 7–42

### Backing Up the Subsystem Configuration

Your controller stores information about your subsystem configuration in its nonvolatile memory. This information could be lost if the controller fails or when you replace a module in your subsystem.

You can use the `SHOW this_controller FULL` command to find out if the save configuration feature is active and which devices are being used to store the configuration. The display includes a line that indicates status and how many devices have copies of the configuration, as shown in the following example.

```
SHOW THIS_CONTROLLER FULL
```

The last line of the status the CLI returns shows on how many devices the configuration is backed up.

Also, the `SHOW devices FULL` command shows which disk drive are set up to back up the configuration. Enter this command:

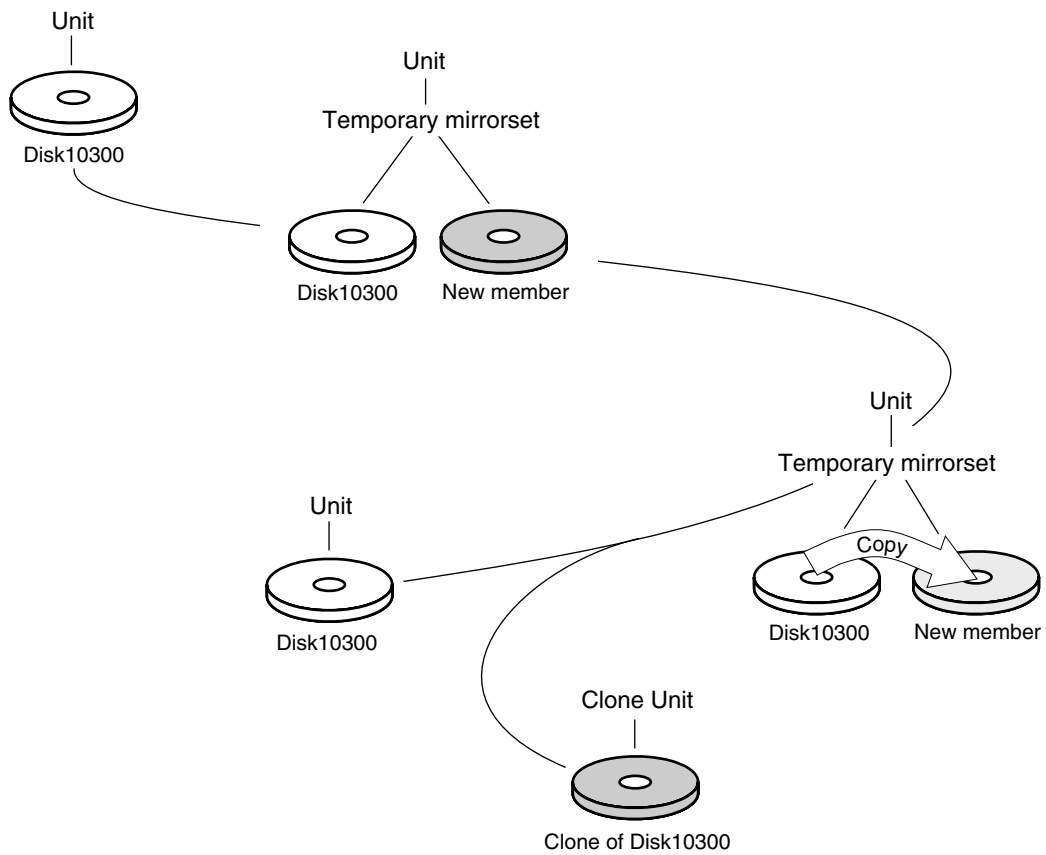
```
SHOW DEVICES FULL
```

## Cloning Data for Backup

Use the `CLONE` utility to duplicate the data on any unpartitioned single-disk unit, stripeset, mirrorset, or striped mirrorset in preparation for backup. When the cloning operation is done, you can back up the clones rather than the storageset or single-disk unit, which can continue to service its I/O load. When you are cloning a mirrorset, `CLONE` does not need to create a temporary mirrorset. Instead, it adds a temporary member to the mirrorset and copies the data onto this new member.

The `CLONE` utility creates a temporary, two-member mirrorset for each member in a single-disk unit or stripeset. Each temporary mirrorset contains one disk drive from the unit you are cloning and one disk drive onto which `CLONE` copies the data. During the copy operation, the unit remains online and active so the clones contain the most up-to-date data.

After the `CLONE` utility copies the data from the members to the clones, it restores the unit to its original configuration and creates a clone unit you can backup. The `CLONE` utility uses steps shown in Figure 7-1 to duplicate each member of a unit.



CXO5510A

Figure 7-1. Steps the CLONE utility follows for duplicating unit members

**7-4** *MA6000 HSG60 Array Controller ACS Version 8.5c Solution Software for HP-UX Installation and Configuration Guide*

Use the following steps to clone a single-disk unit, stripeset, or mirrorset:

1. Establish a connection to the controller that accesses the unit you want to clone.
2. Start CLONE using the following command:  
RUN CLONE
3. When prompted, enter the unit number of the unit you want to clone.
4. When prompted, enter a unit number for the clone unit that CLONE will create.
5. When prompted, indicate how you would like the clone unit to be brought online: either automatically or only after your approval.
6. When prompted, enter the disk drives you want to use for the clone units.
7. Back up the clone unit.

**Example:**

This example shows the commands you would use to clone storage unit D98. The clone command terminates after it creates storage unit D99, a clone or copy of D98.

```
RUN CLONE
CLONE LOCAL PROGRAM INVOKED
UNITS AVAILABLE FOR CLONING:
    98
ENTER UNIT TO CLONE? 98
CLONE WILL CREATE A NEW UNIT WHICH IS A COPY OF UNIT 98.
ENTER THE UNIT NUMBER WHICH YOU WANT ASSIGNED TO THE NEW UNIT? 99
THE NEW UNIT MAY BE ADDED USING ONE OF THE FOLLOWING METHODS:
1. CLONE WILL PAUSE AFTER ALL MEMBERS HAVE BEEN COPIED. THE USER MUST THEN PRESS
    RETURN TO CAUSE THE NEW UNIT TO BE ADDED.
2. AFTER ALL MEMBERS HAVE BEEN COPIED, THE UNIT WILL BE ADDED AUTOMATICALLY.
UNDER WHICH ABOVE METHOD SHOULD THE NEW UNIT BE ADDED[]? 1
DEVICES AVAILABLE FOR CLONE TARGETS:
DISK20200 (SIZE=832317)
DISK20300 (SIZE=832317)
USE AVAILABLE DEVICE DISK20200(SIZE=832317) FOR MEMBER DISK10300(SIZE=832317) (Y,N) [Y]? Y
MIRROR DISK10300 C_MA
SET C_MA NOPOLICY
```

```
SET C_MA MEMBERS=2
SET C_MA REPLACE=DISK20200
DEVICES AVAILABLE FOR CLONE TARGETS:
DISK20300 (SIZE=832317)
USE AVAILABLE DEVICE DISK10400(SIZE=832317) FOR MEMBER DISK10000(SIZE=832317) (Y,N) [Y]? Y
MIRROR DISK10000 C_MB
SET C_MB NOPOLICY
SET C_MB MEMBERS=2
SET C_MB REPLACE=DISK10400
COPY IN PROGRESS FOR EACH NEW MEMBER. PLEASE BE PATIENT...
.
.
COPY FROM DISK10300 TO DISK20200 IS 100% COMPLETE
COPY FROM DISK10000 TO DISK10400 IS 100% COMPLETE
PRESS RETURN WHEN YOU WANT THE NEW UNIT TO BE CREATED
REDUCE DISK20200 DISK10400
UNMIRROR DISK10300
UNMIRROR DISK10000
ADD MIRRORSET C_MA DISK20200
ADD MIRRORSET C_MB DISK10400
ADD STRIPESSET C_ST1 C_MA C_MB
INIT C_ST1 NODESTROY
ADD UNIT D99 C_ST1
D99 HAS BEEN CREATED. IT IS A CLONE OF D98.
CLONE - NORMAL TERMINATION
```

## Moving Stagesets

You can move a stageset from one subsystem to another without destroying its data. You also can follow the steps in this section to move a stageset to a new location within the same subsystem.



**CAUTION:** Move only normal stagesets. Do not move stagesets that are reconstructing or reduced, or data corruption will result.

---

See the release notes for the version of your controller's software for information on which drives can be supported.



**CAUTION:** Never initialize any container or this procedure will not protect data.

---

Use the following procedure to move a stageset while maintaining the data it contains:

1. Show the details for the stageset you want to move. Use the following command:

```
SHOW STAGESET-NAME
```

2. Label each member with its name and PTL location.

If you do not have a stageset map for your subsystem, you can enter the `LOCATE` command for each member to find its PTL location. Use the following command:

```
LOCATE DISK-NAME
```

To cancel the locate command, enter the following:

```
LOCATE CANCEL
```

3. Delete the unit number shown in the "Used by" column of the `SHOW stageset-name` command. Use the following syntax:

```
DELETE UNIT-NUMBER
```

4. Delete the stageset shown in the "Name" column of the `SHOW stageset-name` command. Use the following syntax:

```
DELETE STAGESET-NAME
```



5. Delete each disk drive, one at a time, that the storageset contained. Use the following syntax:  
DELETE DISK-NAME  
DELETE DISK-NAME  
DELETE DISK-NAME
6. Remove the disk drives and move them to their new PTL locations.
7. Add again each disk drive to the controller's list of valid devices. Use the following syntax:  
ADD DISK DISK-NAME PTL-LOCATION  
ADD DISK DISK-NAME PTL-LOCATION  
ADD DISK DISK-NAME PTL-LOCATION
8. Recreate the storageset by adding its name to the controller's list of valid storagesets and specifying the disk drives it contains. (Although you have to recreate the storageset from its original disks, you do not have to add them in their original order.) Use the following syntax:  
ADD STORAGESET-NAME DISK-NAME DISK-NAME
9. Represent the storageset to the host by giving it a unit number the host can recognize. You can use the original unit number or create a new one. Use the following syntax:  
ADD UNIT UNIT-NUMBER STORAGESET-NAME

**7-8** *MA6000 HSG60 Array Controller ACS Version 8.5c Solution Software for HP-UX Installation and Configuration Guide*

**Example:**

The following example moves unit D100 to another cabinet. D100 is the RAIDset RAID99 that consists of members DISK10000, DISK20000, and DISK10100.

```
DELETE D100
DELETE RAID99
DELETE DISK10000
DELETE DISK10100
DELETE DISK20000
DELETE DISK20100
ADD DISK DISK10000
ADD DISK DISK10100
ADD DISK DISK20000
ADD DISK DISK20100
ADD RAIDSET RAID99 DISK10000 DISK10100 DISK20000 DISK20100
ADD UNIT D100 RAID99
```

# *Appendix* **A**

## **Subsystem Profile Templates**

This appendix contains storageset profiles you can copy and use to create your system profiles. It also contains an enclosure template you can use to help keep track of the location of devices and storagesets in your shelves. For HSG60, the maximum number of shelves is two. Four (4) templates will be needed for the MA6000.

- “Storageset Profile,” page A-2
- “Storage Map Template 1,” page A-3 for a single Model 4214R enclosure
- “Storage Map Template 2,” page A-4 for a single Model 4254 enclosure
- “Storage Map Template 3,” page A-5 for two Model 4214R enclosures

## StorageSet Profile

### Type of StorageSet:

<input type="checkbox"/> Mirrorset	<input checked="" type="checkbox"/> RAIDset	<input type="checkbox"/> Stripeset	<input type="checkbox"/> Striped Mirrorset	<input type="checkbox"/> JBOD
------------------------------------	---	------------------------------------	--	-------------------------------

### StorageSet Name

### Disk Drives

### Unit Number

### Partitions:

Unit #	Unit #	Unit #	Unit #	Unit #	Unit #	Unit #	Unit #
%	%	%	%	%	%	%	%

### RAIDset Switches:

Reconstruction Policy	Reduced Membership	Replacement Policy
<input type="checkbox"/> Normal (default)	<input type="checkbox"/> No (default)	<input type="checkbox"/> Best performance (default)
<input type="checkbox"/> Fast	<input type="checkbox"/> Yes, missing:	<input type="checkbox"/> Best fit
		<input type="checkbox"/> None

### Mirrorset Switches:

Replacement Policy	Copy Policy	Read Source
<input type="checkbox"/> Best performance (default)	<input type="checkbox"/> Normal (default)	<input type="checkbox"/> Least busy (default)
<input type="checkbox"/> Best fit	<input type="checkbox"/> Fast	<input type="checkbox"/> Round robin
<input type="checkbox"/> None		<input type="checkbox"/> Disk drive:

### Initialize Switches:

Chunk size	Save Configuration	Metadata
<input type="checkbox"/> Automatic (default)	<input type="checkbox"/> No (default)	<input type="checkbox"/> Destroy (default)
<input type="checkbox"/> 64 blocks	<input type="checkbox"/> Yes	<input type="checkbox"/> Retain
<input type="checkbox"/> 128 blocks		
<input type="checkbox"/> 256 blocks		
<input type="checkbox"/> Other:		

### Unit Switches:

Caching	Access by following hosts enabled
Read caching_____	_____
Read-ahead caching_____	_____
Write-back caching_____	_____
Write-through caching_____	_____

## Storage Map Template 1

Use this template for an MA6000 subsystem with a single Model 4214R disk enclosure (single-bus).

Model 4214R Disk Enclosure Shelf 1 (single-bus)														
Bay	1	2	3	4	5	6	7	8	9	10	11	12	13	14
SCSI ID	00	01	02	03	04	05	08	09	10	11	12	13	14	15
DISK ID	Disk10000	Disk10100	Disk10200	Disk10300	Disk10400	Disk10500	Disk10800	Disk10900	Disk11000	Disk11100	Disk11200	Disk11300	not supported	not supported

## Storage Map Template 2

Use this template for an MA6000 subsystem with a single Model 4254 disk enclosure (dual-bus).

Model 4254 Disk Enclosure Shelf 1 (dual-bus)														
Bus A							Bus B							
Bay	1	2	3	4	5	6	7	8	9	10	11	12	13	14
SCSI ID	00	01	02	03	04	05	08	00	01	02	03	04	05	08
DISK ID	Disk10000	Disk10100	Disk10200	Disk10300	Disk10400	Disk10500	Disk10800	Disk20000	Disk20100	Disk20200	Disk20300	Disk20400	Disk20500	Disk20800

## Storage Map Template 3

Use this template for an MA6000 subsystem with two Model 4214R disk enclosures (single-bus)

**NOTE:** Disk enclosure shelf 1 is a single-bus shelf connected to device port 1 and disk enclosure shelf 2 is a single-bus shelf connected to device port 2.

Model 4214R Disk Enclosure Shelf 1 (single-bus)														
Bay	1	2	3	4	5	6	7	8	9	10	11	12	13	14
SCSI ID	00	01	02	03	04	05	08	09	10	11	12	13	14	15
DISK ID	Disk10000	Disk10100	Disk10200	Disk10300	Disk10400	Disk10500	Disk10800	Disk10900	Disk11000	Disk11100	Disk11200	Disk11300	not supported	not supported

Model 4214R Disk Enclosure Shelf 2 (single-bus)														
Bay	1	2	3	4	5	6	7	8	9	10	11	12	13	14
SCSI ID	00	01	02	03	04	05	08	09	10	11	12	13	14	15
DISK ID	Disk20000	Disk20100	Disk20200	Disk20300	Disk20400	Disk20500	Disk20800	Disk20900	Disk21000	Disk21100	Disk21200	Disk21300	not supported	not supported





## *Appendix* **B**

### **Installing, Configuring, and Removing the Client**

The following information is included in this appendix:

- “Why Install the Client?,” page B-1
- “Before You Install the Client,” page B-2
- “Installing the Client,” page B-2
- “Troubleshooting the Client Installation,” page B-3
- “Adding the Storage Subsystem and its Host to the Navigation Tree,” page B-5
- “Removing the Command Console Client,” page B-7
- “Where to Find Additional Information,” page B-8

#### **Why Install the Client?**

Client allows you to monitor and manage your storage subsystem. When you install the Client, you are able to do the following:

- Create mirrored device group (RAID 1)
- Create striped device group (RAID 0)
- Create striped mirrored device group (RAID 0+1)
- Create striped parity device group (RAID 3/5)
- Create an individual device (JBOD)
- Monitor many subsystems at once
- Set up pager notification

## Before You Install the Client

1. Verify that you are logged into an account that is a member of the administrator group.
2. Check the software product description that came with your software for a list of supported hardware.
3. Verify that you have the SNMP service installed on your computer. You must have SNMP installed on your computer for this software to work properly. The Client software uses SNMP to receive traps from the Agent. The SNMP service is available on your Windows NT or Windows 2000 installation CD-ROM. To verify that you have the SNMP service:
  - For Windows NT, double-click Services in *Start > Settings > Control Panel*. The entry for SNMP is shown in this window. If you install the SNMP service and you already have a Windows NT service pack on your computer, reinstall the service pack after installing the SNMP service.
  - For Windows 2000, click *Start > Settings > Control Panel > Administrative Tools > Component Services*. The entry for SNMP is shown in the Component Services window.
4. Read the release notes.
5. Read “Troubleshooting the Client Installation,” in this appendix.
6. If you have the Command Console Client open, exit the Command Console Client.
7. If you have Command Console Client version 1.1b or earlier, remove the program by going into Add/Remove Programs.
8. If you have a previous version of Command Console, you can save your Navigation Tree configuration by copying the swcc2.mdb file to another directory. After you have installed the product, move swcc2.mdb to the directory to which you installed SWCC.
9. Install the HS-Series Agent. For more information, see Chapter 4.

## Installing the Client

1. Insert the CD-ROM into a computer running Windows 2000 or Windows NT 4.0 (Intel) with Service Pack 4 or later.
2. Using Microsoft Windows Explorer, navigate to:  
`\\swcc\client\intel`  
Double-click setup.exe
3. Select HSG60 Controller and click Next.

**NOTE:** If the computer does not find a previous installation, it will install the SWCC Navigation Window and the CLI Window.

4. Follow the instructions on the screen. After you install the software, the Asynchronous Event Service (AES) starts. AES is a service that runs in the background. It collects and passes traps from the subsystems to the Navigation Tree and to individual pagers (for example, to show that a disk has failed). AES needs to be running for your client system to receive updates.

**NOTE:** For more information on AES, see *Compaq StorageWorks Command Console Version 2.3 for the MA6000 User Guide*.

## Troubleshooting the Client Installation

This section provides the following information on how to resolve some of the problems that may appear when you install the Client software:

- Invalid Network Port Assignments During Installation
- “There is no disk in the drive” Message

### Invalid Network Port Assignments During Installation

SWCC Clients and Agents communicate by using sockets. The SWCC installation attempts to add entries into each system list of services (services file or for UCX, the local services database). If the SWCC installation finds an entry in the local services file with the same name as the one it wants to add, it assumes the one in the file is correct.

The SWCC installation may display a message, stating that it cannot upgrade the services file. This happens if it finds an entry in the local services file with the same number as the one it wants to add, but with a different name. In that case, appropriate port numbers must be obtained for the network and added manually to the services file.

There are two default port numbers, one for Command Console (4998) and the other for the device-specific Agent and Client software, such as the Fibre Channel Interconnect Client and Agent (4989). There are two exceptions. The following software has two default port numbers:

- The KZPCC Agent and Client, (4991 and 4985)
- The RA200 Agent and Client, (4997 and 4995)

**B-4** MA6000 HSG60 Array Controller ACS Version 8.5c Solution Software for HP-UX Installation and Configuration Guide

If the Network Information Services (NIS) are being used to provide named port lookup services, contact the network administrator to add the correct ports.

The following shows how the network port assignments appear in the services file:

spgui	4998/tcp	#Command Console
ccdevmgt	4993/tcp	#Device Management Client and Agent
kzpccconnectport	4991/tcp	#KZPCC Client and Agent
kzpcdiscoverypoint	4985/tcp	#KZPCC Client and Agent
ccfabric	4989/tcp	#Fibre Channel Interconnect Agent
spagent	4999/tcp	#HS-Series Client and Agent
spagent3	4994/tcp	#HSZ22 Client and Agent
ccagent	4997/tcp	#RA200 Client and Agent
spagent2	4995/tcp	#RA200 Client and Agent

## “There is no disk in the drive” Message

When you install the Command Console Client, the software checks the shortcuts on the desktop and in the Start menu. The installation will check the shortcuts of all users for that computer, even if they are not currently logged on. You may receive an error message if any of these shortcuts point to empty floppy drives, empty CD-ROM drives, or missing removable disks. Do one of the following:

- Ignore the error message by clicking *Ignore*.
- Replace the removable disks, and place a disk in the floppy drive and a CD-ROM in the CD-ROM drive. Then, click *Retry*.

## Adding the Storage Subsystem and its Host to the Navigation Tree

The Navigation Tree allows you to manage your storage over the network by using the Storage Window. If you are planning to use pager notification, you must add the storage subsystem to the Navigation Tree.

1. Verify that you have properly installed and configured the HS-Series Agent on the storage subsystem host.
2. Click *Start > Programs > Command Console > StorageWorks Command Console*. Client displays the Navigation Window. The Navigation Window lets you monitor and manage many storage subsystems over the network.

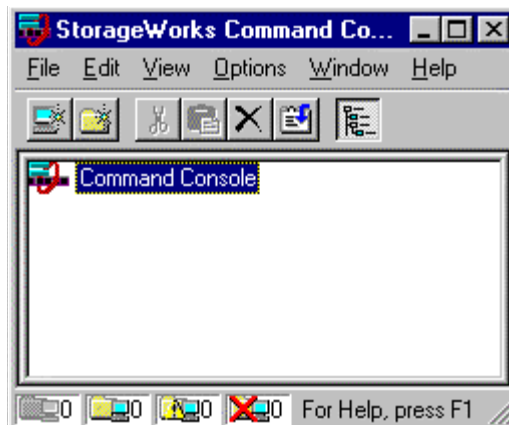


Figure B-1. Navigation window

3. Click *File > Add System*. The Add System window appears.
4. Type the host name or its TCP/IP address and click *Apply*.
5. Click *Close*.

**B-6** MA6000 HSG60 Array Controller ACS Version 8.5c Solution Software for HP-UX Installation and Configuration Guide

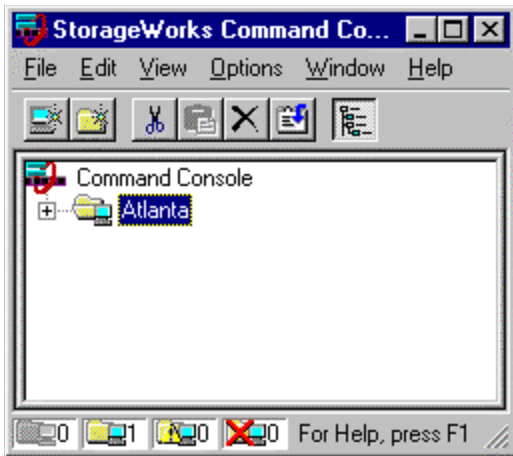


Figure B-2. Navigation window showing storage host system "Atlanta"

6. Click the plus sign to expand the host icon. When expanded, the Navigation Window displays an icon for the storage subsystem. To access the Storage Window for the subsystem, double-click the Storage Window icon.



Figure B-3. Navigation window showing expanded "Atlanta" host icon

**NOTE:** You can create virtual disks by using the Storage Window. For more information on the Storage Window, refer to *Compaq StorageWorks Command Console Version 2.3 for the MA6000 User Guide*.

## Removing the Command Console Client

Before you remove the Command Console Client from your computer, remove AES. This will prevent the system from reporting that a service failed to start every time the system is booted. Steps 2 through 5 describe how to remove the Command Console Client.

**NOTE:** When you remove the Command Console Client, the `swcc2.mdb` file is deleted. This file contains the Navigation Tree configuration. If you want to save this information, move the file to another directory.

1. Click *Start > Programs > Command Prompt* and change to the directory to which you installed the Command Console Client.
2. Enter the following command:  
`C:\Program Files\Compaq\SWCC> AsyncEventService -remove`
3. Do one of the following:
  - On Windows NT 4.0, click *Start > Settings > Control Panel*, and then double-click the Add/Remove Programs icon in the Control Panel. The Add/Remove Program Properties window appears.
  - On Windows 2000, click *Start > Settings > Control Panel > Add/Remove Programs*. The Add/Remove Program window appears.
4. Select Command Console in the window.
5. Do one of the following:
  - On Windows NT 4.0, click *Add/Remove*.
  - On Windows 2000, click *Change/Remove*.
6. Follow the instructions on the screen.

**NOTE:** This procedure removes only the Command Console Client (SWCC Navigation Window). You can remove the HSG60 Client by using the Add/Remove program.

## Where to Find Additional Information

You can find additional information about SWCC by referring to the online Help and to *Compaq StorageWorks Command Console Version 2.3 for the MA6000 User Guide*.

### About the User Guide

*Compaq StorageWorks Command Console Version 2.3 for the MA6000 User Guide* contains additional information on how to use SWCC. Some of the topics in the user guide are the following:

- About AES
- Adding Devices
- Adding Virtual Disks
- Setting Up Pager Notification
- How to Integrate SWCC with Compaq Insight Manager
- Troubleshooting Information

### About the Online Help

Most of the information about the Client is provided in the online Help. Online Help is provided in two places:

- Navigation Window – Online Help provides information on pager notification and a tour of the Command Console Client, in addition to information on how to add a system to the Navigation Tree.
- Storage Window – Online Help provides detailed information about the Storage Window, such as how to create virtual disks.



# Index

## A

- accessing the CLI
  - SWCC 5–20
- ADD CONNECTIONS
  - multiple-bus failover 1–19
  - transparent failover 1–17
- ADD UNIT
  - multiple-bus failover 1–19
  - transparent failover 1–17
- adding
  - virtual disks B–8
- adding a disk drive to the spareset
  - configuration options 5–23
- adding disk drives
  - configuration options 5–22
- Agent
  - functions 4–1
  - installing 4–5
- array of disk drives 2–8
- assigning unit numbers 1–17
- assignment
  - unit numbers
    - fabric topology 5–19
  - unit qualifiers
    - fabric topology 5–19
- assignment of unit numbers
  - fabric topology
    - partition 5–19
    - single disk 5–19
- asynchronous event service B–8
- autospare
  - enabling

- fabric topology 5–23
- availability 2–15

## B

- backup
  - cloning data 38
  - subsystem configuration 37

## C

- cabling
  - controller pair 5–9
  - multiple-bus failover
    - fabric topology configuration 5–9
  - single controller 5–4
- cache modules
  - location 1–2
  - read caching 1–9
  - write-back caching 1–9
  - write-through caching 1–10
- caching techniques
  - mirrored 1–10
  - read caching 1–9
  - read-ahead caching 1–9
  - write-back caching 1–9
  - write-through caching 1–10
- changing switches
  - configuration options 5–25
- chunk size
  - choosing for RAIDsets and stripesets 2–24
  - controlling stripesize 2–24
  - using to increase data transfer rate 2–26
  - using to increase request rate 2–24

**I-2**      *MA6000 HSG60 Array Controller ACS Version 8.5c Solution Software for HP-UX Installation and Configuration Guide*

- using to increase write performance 2-27
- CHUNKSIZE 2-24
- CLI commands
  - installation verification 5-8, 5-13
  - specifying identifier for a unit 5-20
- CLI prompt
  - changing
    - fabric topology 5-21
- Client
  - removing B-7
  - uninstalling B-7
- CLONE utility
  - backup 38
- cloning
  - backup 38
- command console LUN 1-11
  - SCSI-2 mode 1-21
  - SCSI-3 mode 1-20
- Compaq Insight Manager B-8
- Compaq/QLA2200 driver
  - installation 3-3
- comparison of container types 2-8
- configuration
  - backup 37
  - fabric topology
    - devices 5-13
    - multiple-bus failover
      - cabling 5-9
    - multiple-bus failover using CLI 30
    - single controller cabling 5-4
  - fibre channel fabric topology
    - using CLI 5-2
    - using SWCC 5-2
  - HP-UX file system 3-9
  - restoring 2-27
  - rules 2-3
- configuration options
  - fabric topology
    - adding a disk drive to the spareset 5-23
    - adding disk drives 5-22
    - changing switches
      - device 5-25
      - displaying the current switches 5-25
      - initialize 5-25
      - RAIDset and mirrorset 5-25
      - unit 5-25
    - changing switches for a storageset or device 5-24
    - changing the CLI prompt 5-21
    - deleting a storageset 5-24
    - enabling autospare 5-23
    - removing a disk drive from the spareset 5-23
  - configuring
    - pager notification B-8
  - configuring devices
    - fabric topology 5-13
  - configuring storage
    - SWCC 5-20
  - connections 1-12
    - hardware 3-9
    - naming 1-12
  - containers
    - attributes 2-7
    - comparison 2-8
    - illustrated 2-7
    - mirrorsets 2-13
    - planning storage 2-7
    - stripesets 2-12
  - controller
    - verification of installation 5-13
  - controller verification
    - installation 5-8, 5-13
  - controllers
    - cabling 5-4, 5-9
    - location 1-2
    - node IDs 1-29
    - other defined xii
    - this defined xii
    - verification of installation 5-8, 5-13
    - worldwide names 1-29
  - creating
    - storageset and device profiles 2-9

**D**

- data transfer rate 2–26
- DESTROY 2–27
- device switches
  - changing
    - fabric topology 5–25
- devices
  - changing switches
    - fabric topology 5–24
  - configuration
    - fabric topology 5–13
  - creating a profile 2–9
- disk drives
  - adding
    - fabric topology 5–22
  - adding to the spareset
    - fabric topology 5–23
  - array 2–8
  - corresponding storagesets 2–28
  - dividing 2–18
  - removing from the spareset
    - fabric topology 5–23
- displaying the current switches
  - fabric topology 5–25
- dividing storagesets 2–18

**E**

- enabling
  - switches 2–20
- erasing metadata 2–27
- establishing a local connection 5–2

**F**

- fabric topology
  - configuration
    - single controller cabling 5–4
- failover 1–4
  - multiple-bus 1–7
  - transparent 1–4
- first enclosure of multiple-enclosure subsystem
  - storage map
    - template 1 A–3

## functions

- Agent 4–1

**G**

- geometry
  - initialize switches 2–28

**H**

- hardware
  - connections 3–9
  - installation 3–9
- Host access
  - restricting in multiple-bus failover mode
    - disabling access paths 1–25
- host access
  - restricting by offsets
    - multiple-bus failover 1–28
    - transparent failover 1–24
  - restricting in multiple-bus failover mode 1–24
  - restricting in transparent failover mode 1–22
    - disabling access paths 1–23
    - separate links 1–22
- host adapter
  - installation 3–4
  - preparation 3–2
- host connections 1–12
  - naming 1–12
- host system
  - connecting to MA6000 3–6
- HP-UX file system
  - configuration 3–9
- I**
  - initialize switches
    - changing
      - fabric topology 5–25
    - CHUNKSIZE 2–24
    - DESTROY 2–27
    - geometry 2–28
    - NODESTROY 2–27
    - NOSAVE\_CONFIGURATION 2–27
    - SAVE\_CONFIGURATION 2–27
  - installation

**I-4**      *MA6000 HSG60 Array Controller ACS Version 8.5c Solution Software for HP-UX Installation and Configuration Guide*

- controller verification 5-8, 5-13
- hardware 3-9
- host adapter 3-6
- invalid network port assignments B-3
- there is no disk in the drive message B-4
- installation verification
  - CLI commands 5-8, 5-13
- installing
  - Agent 4-5
- integrating SWCC B-8
- invalid network port assignments B-3

**J**

- JBOD 2-8

**L**

- LOCATE
  - find devices 2-31
- location
  - cache module 1-2
  - controller 1-2
- LUN IDs
  - general description 1-30
- LUN presentation 1-18

**M**

- MA6000
  - connecting to host system 3-6
- maintenance port connection
  - establishing a local connection 5-2
  - illustrated 5-2
- mapping storagesets 2-28
- messages
  - there is no disk in the drive B-4
- mirrored caching
  - enabling 1-10
  - illustrated 1-10
- mirrorset switches
  - changing
    - fabric topology 5-25
- mirrorsets
  - planning considerations 2-13
  - important points 2-15

- switches 2-23
- moving storagesets 42
- multiple-bus failover
  - restricting host access by offsets 1-28
- multiple-bus failover 1-7
  - ADD CONNECTIONS command 1-19
  - ADD UNIT command 1-19
  - ADD UNITcommand 1-19
  - CLI configuration procedure
    - fabric topology 30
  - fabric topology
    - preferring units 5-21
  - fabric topology configuration
    - cabling 5-9
  - host connections 1-19
    - restricting host access 1-24
      - disabling access paths 1-25
  - SET CONNECTIONS command 1-19
  - SET UNITcommand 1-19

**N**

- network port assignments B-3
- node IDs 1-29
  - restoring 1-29
- NODE\_ID
  - worldwide name 1-29
- NODESTROY 2-27
- NOSAVE\_CONFIGURATION 2-27

**O**

- offset
  - LUN presentation 1-18
  - restricting host access
    - multiple-bus failover 1-28
    - transparent failover 1-24
  - SCSI version factor 1-19
- online help
  - SWCC B-8
- options
  - for mirrorsets 2-23
  - for RAIDsets 2-21
  - initialize 2-24

other controller 1-3  
 defined xii  
 overwriting data 2-27

## P

pager notification B-8  
 configuring B-8  
 partitions  
 assigning a unit number  
 fabric topology 5-19  
 defining 2-19  
 planning considerations 2-18  
 guidelines 2-20  
 performance 2-15  
 planning  
 overview 2-9  
 striped mirrorsets 2-18  
 stripesets 2-12  
 planning considerations 2-15  
 planning storage  
 containers 2-7  
 where to start 2-2  
 planning storage sets  
 characteristics  
 changing switches 2-21  
 enabling switches 2-20  
 initialization switch 2-20  
 storage set switch 2-20  
 unit switch 2-20  
 switches  
 initialization 2-24  
 storage set 2-21  
 unit 2-28  
 preferring units  
 multiple-bus failover  
 fabric topology 5-21  
 profiles  
 creating 2-9  
 description 2-9  
 storage set A-1  
 example A-2

## R

RAID set switches  
 changing  
 fabric topology 5-25  
 RAID sets  
 choosing chunk size 2-24  
 maximum membership 2-16  
 planning considerations 2-15  
 important points 2-16  
 switches 2-21  
 read caching  
 enabled for all storage units 1-9  
 general description 1-9  
 read requests  
 decreasing the subsystem response time with  
 read caching 1-9  
 read-ahead caching 1-9  
 enabled for all disk units 1-9  
 related publications xiii  
 removing  
 Client B-7  
 request rate 2-24  
 requirements  
 host adapter installation 3-2  
 storage configuration 5-20  
 restricting host access  
 disabling access paths  
 multiple-bus failover 1-25  
 transparent failover 1-23  
 multiple-bus failover 1-24  
 separate links  
 transparent failover 1-22  
 transparent failover 1-22

## S

SAVE\_CONFIGURATION 2-27  
 saving configuration 2-27  
 SCSI version  
 offset 1-19  
 SCSI-2  
 assigning unit numbers 1-20  
 command console lun 1-21

- SCSI-3
  - assigning unit numbers 1–20
  - command console lun 1–20
- selective unit presentation 1–22
- SET CONNECTIONS
  - multiple-bus failover 1–19
  - transparent failover 1–17
- SET UNIT
  - multiple-bus failover 1–19
- setting
  - controller configuration handling 2–27
- single disk (JBOD)
  - assigning a unit number
    - fabric topology 5–19
- single-enclosure subsystem
  - storage map
    - template 1
      - A–3
- software
  - verification 3–9
- specifying identifier for a unit
  - CLI commands 5–20
- specifying LUN ID alias
  - SWCC 5–20
- storage
  - creating map 2–28
  - profile
    - example A–2
- storage map 2–28
  - example 2–30
  - template 1 A–3
    - first enclosure of multiple-enclosure subsystem A–3
    - single enclosure subsystem A–3
- storageset
  - deleting
    - fabric topology 5–24
  - fabric topology
    - changing switches 5–24
  - planning considerations 2–11
  - mirrorsets 2–13
  - partitions 2–18
  - RAIDsets 2–15
  - striped mirrorsets 2–17
  - stripesets 2–11
    - profile 2–9
      - example 2–10
    - profiles A–1
  - storageset profile 2–9
  - storageset switches
    - SET command 2–21
  - storagesets
    - creating a profile 2–9
    - moving 42
  - striped mirrorsets
    - planning 2–18
    - planning considerations 2–17
  - stripesets
    - distributing members across buses 2–13
    - planning 2–12
    - planning considerations 2–11
      - important points 2–12
- subsystem
  - saving configuration 2–27
- subsystem configuration
  - backup 37
- SWCC 4–1
  - accessing the CLI 5–20
  - additional information B–8
  - configuring storage 5–20
  - integrating B–8
  - online help B–8
  - specifying LUN ID alias 5–20
- switches
  - changing 2–21
  - changing characteristics 2–20
- CHUNKSIZE 2–24
- DESTROY 2–27
- enabling 2–20
- mirrorsets 2–23
- NODESTROY 2–27
- NOSAVE\_CONFIGURATION 2–27
- RAIDset 2–21
- SAVE\_CONFIGURATION 2–27

switches for storagesets  
overview 2-20

## T

templates

subsystem profile A-1

terminology

cache module A and B 1-2

controller A and B 1-2

other controller 1-3

this controller 1-3

this controller 1-3

defined xii

transparent failover 1-4

ADD CONNECTIONS 1-17

ADD UNIT 1-17

matching units to host connections 1-17

restricting host access 1-22

disabling access paths 1-23

separate links 1-22

restricting host access by offsets 1-24

SET CONNECTIONS 1-17

troubleshooting

invalid network port assignments B-3

there is no disk in the drive message B-4

## U

uninstalling

Client B-7

unit numbers

assigning 1-17

fabric topology 5-19

assigning depending on SCSI version 1-20

assigning in fabric topology

partition 5-19

single disk 5-19

unit qualifiers

assigning

fabric topology 5-19

unit switches

changing

fabric topology 5-25

units

LUN IDs 1-30

## V

verification

controller installation 5-8, 5-13

software 3-9

verification of installation

controller 5-8, 5-13

virtual disks

adding B-8

## W

worldwide names 1-29

NODE\_ID 1-29

REPORTED PORT\_ID 1-29

restoring 1-29

write performance 2-27

write requests

improving the subsystem response time with

write-back caching 1-9

placing data with with write-through caching

1-10

write-back caching

general description 1-9

write-through caching

general description 1-10

