

# installation instructions

## hp StorageWorks modular SAN array hub 2/3



© Hewlett-Packard Company, 2002.

Hewlett-Packard Company makes no warranty of any kind with regard to this material, including, but not limited to, the implied warranties of merchantability and fitness for a particular purpose. Hewlett-Packard shall not be liable for errors contained herein or for incidental or consequential damages in connection with the furnishing, performance, or use of this material.

This document contains proprietary information, which is protected by copyright. No part of this document may be photocopied, reproduced, or translated into another language without the prior written consent of Hewlett-Packard. The information contained in this document is subject to change without notice.

All other product names mentioned herein may be trademarks of their respective companies.

Hewlett-Packard Company shall not be liable for technical or editorial errors or omissions contained herein. The information is provided "as is" without warranty of any kind and is subject to change without notice. The warranties for Hewlett-Packard Company products are set forth in the express limited warranty statements accompanying such products. Nothing herein should be construed as constituting an additional warranty.

HP StorageWorks Modular SAN Array Hub 2/3  
Installation Instructions  
Second Edition (November 2002)  
Part Number: 291278-022

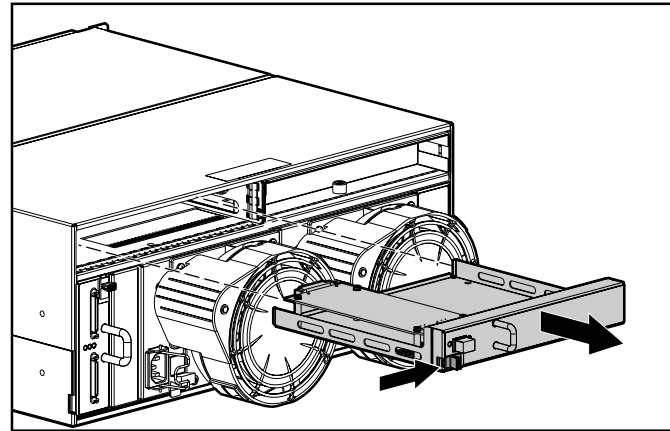


Hewlett-Packard Company

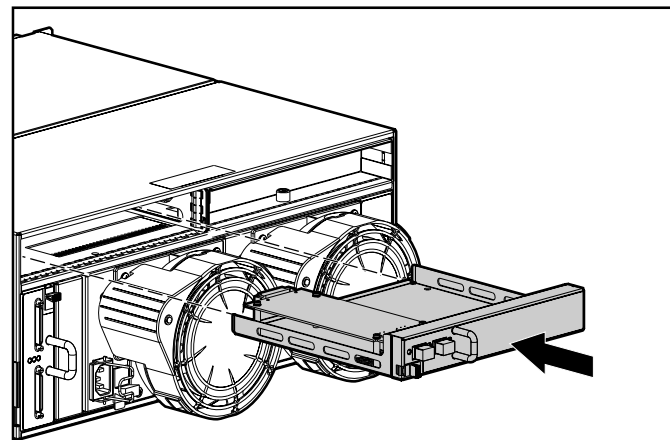
### English

To install the HP StorageWorks Modular SAN Array Hub 2/3 (MSA Hub 2/3) into the Modular SAN Array 1000 (MSA 1000):

1. Remove the provided Modular SAN Array Fibre Channel I/O Module from the primary slot of the MSA1000.

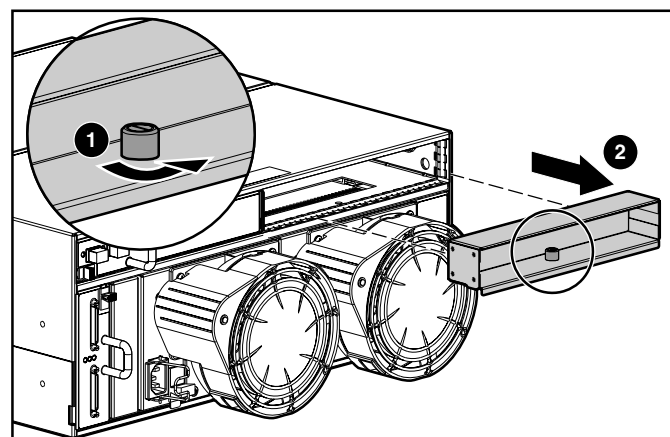


2. Insert the MSA Hub 2/3 into the vacant slot.



3. If a redundant MSA Hub 2/3 is being installed in the secondary slot, loosen the thumbscrew that holds the blanking panel in place ① and remove the blank from the back of the unit ②.

Insert the MSA Hub 2/3 into the vacant slot.

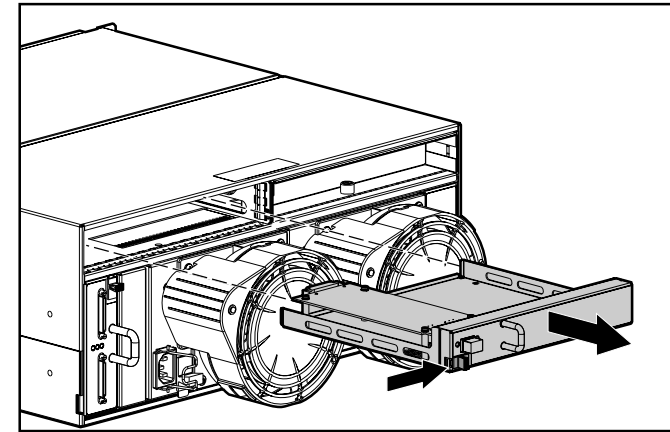


**NOTE:** The MSA Hub 2/3 is a hot-pluggable component.

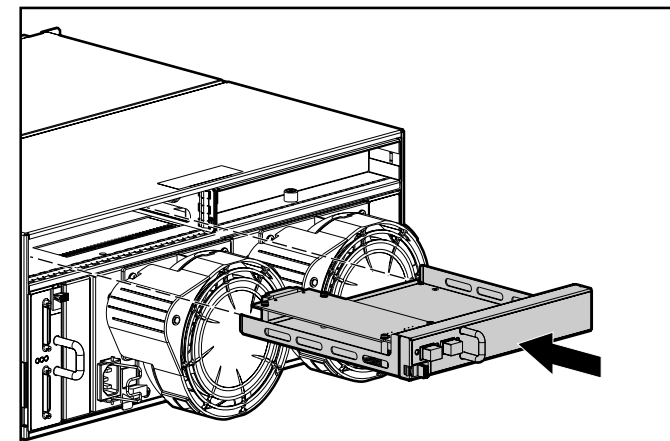
### Deutsch

So installieren Sie den HP StorageWorks Modular SAN Array Hub 2/3 (MSA Hub 2/3) in das Modular SAN Array 1000 (MSA 1000):

1. Ziehen Sie das mitgelieferte MSA Fibre-Channel I/O-Modul aus dem primären Steckplatz des MSA 1000 heraus.

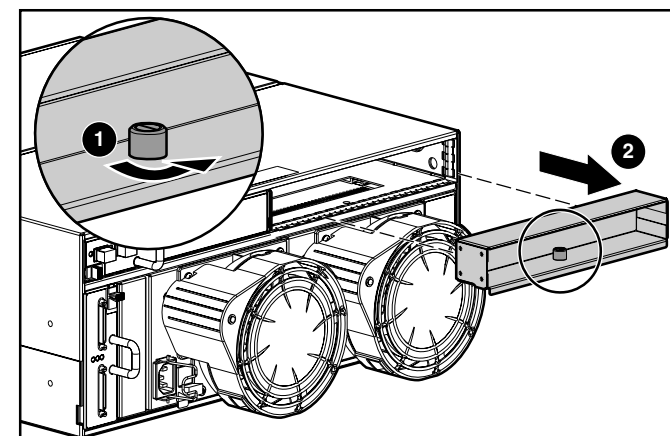


2. Setzen Sie den MSA Hub 2/3 in den frei gewordenen Steckplatz ein.



3. Falls ein redundanter MSA Hub 2/3 in den zweiten Steckplatz eingesetzt werden soll, lösen Sie die Rändelschraube, mit der die Leerblende befestigt ist ①, und nehmen Sie diese von der Rückseite des Geräts ab ②.

Setzen Sie den MSA Hub 2/3 in den freien Steckplatz ein.

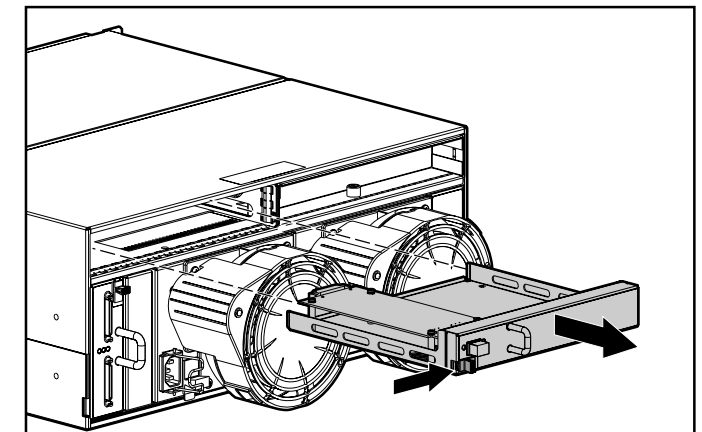


**HINWEIS:** Der MSA Hub 2/3 ist eine Hot-Plug-Komponente.

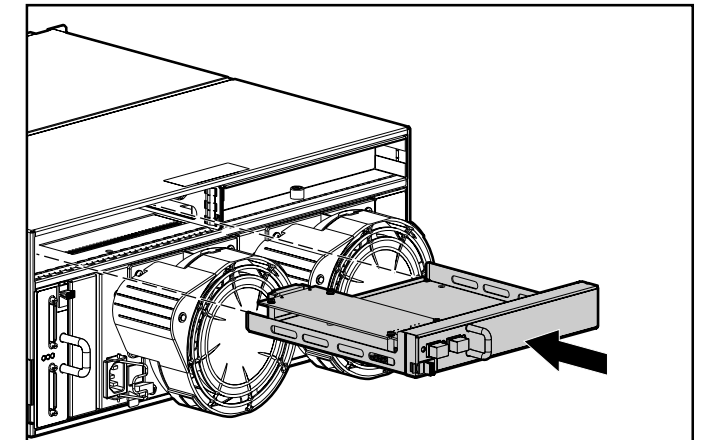
### Español

Para instalar el Concentrador 2/3 de Modular SAN Array de HP StorageWorks (Concentrador 2/3 de MSA) en el dispositivo Modular SAN Array 1000 (MSA 1000):

1. Extraiga de la ranura principal del MSA1000 el Módulo de E/S de Canal de Fibra del Modular SAN Array suministrado.

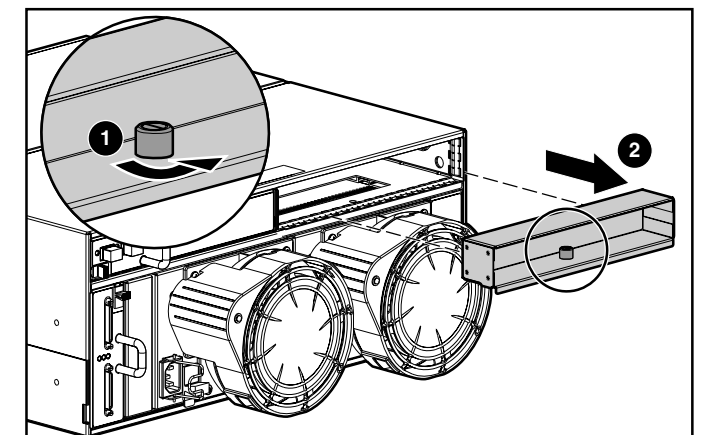


2. Inserte el Concentrador 2/3 de MSA en la ranura vacía.



3. Si va a instalar un Concentrador 2/3 de MSA redundante en la ranura secundaria, afloje el tornillo de ajuste manual que sujeta el panel liso en su ubicación ① y extraiga la cubierta de la parte posterior de la unidad ②.

Inserte el Concentrador 2/3 de MSA en la ranura vacía.

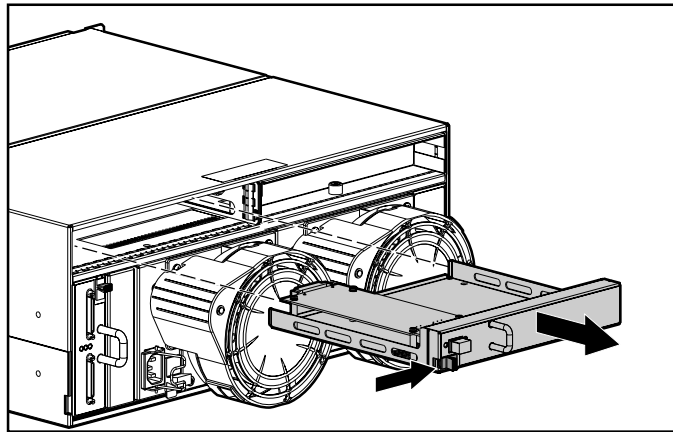


**NOTA:** El Concentrador 2/3 de MSA es un componente conectable en caliente.

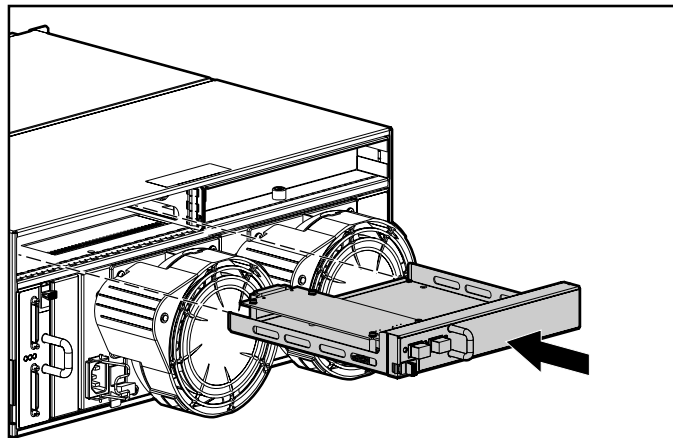
## Français

Pour installer le HP StorageWorks Modular SAN Array Hub 2/3 (hub MSA 2/3) dans le Modular SAN Array 1000 (MSA 1000), procédez comme suit :

1. Retirez le module E/S Fibre Channel MSA du connecteur principal du module MSA 1000.

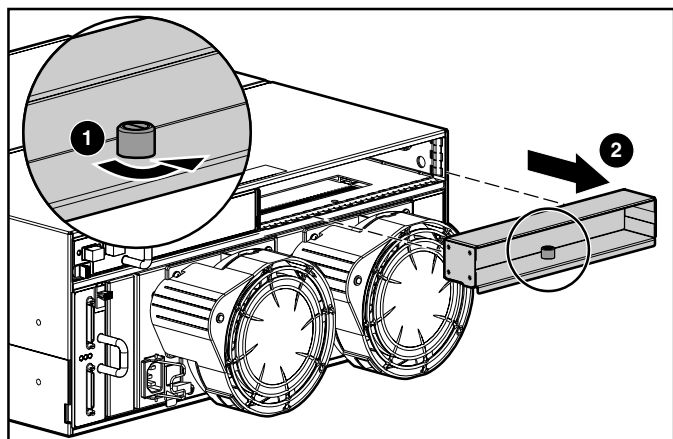


2. Insérez le Hub MSA 2/3 dans le connecteur libre.



3. En cas d'installation d'un Hub MSA 2/3 redondant dans le connecteur secondaire, desserrez la vis moletée qui assure la fixation de l'obturateur ❶ et retirez le cache au dos de l'unité ❷.

Insérez le Hub MSA 2/3 dans le connecteur libre.

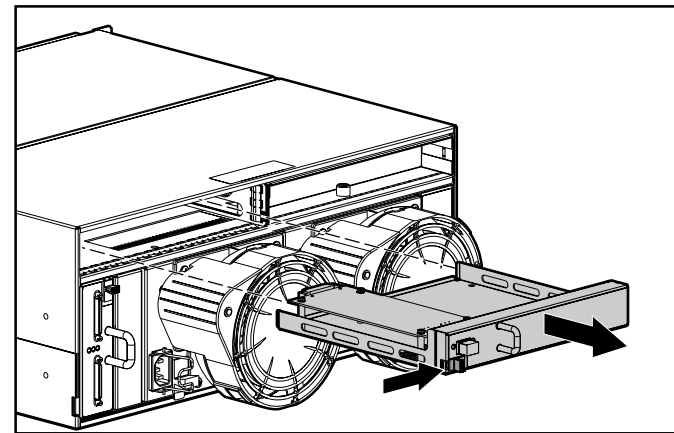


**REMARQUE :** le Hub MSA 2/3 est un élément hot-plug.

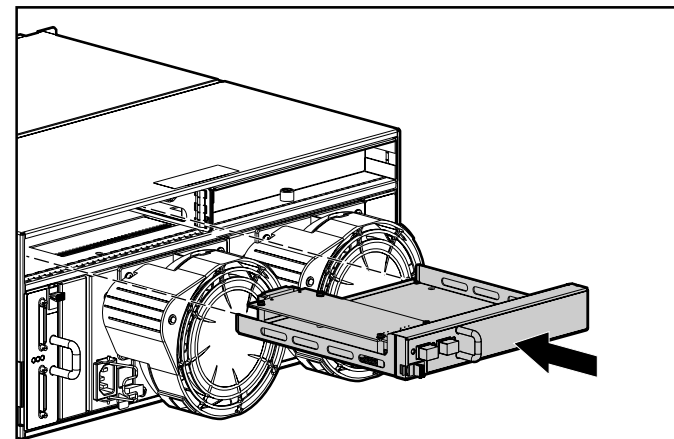
## Italiano

Per installare l'hub 2/3 del Modular SAN Array HP StorageWorks nel Modular SAN Array 1000 (MSA 1000):

1. Rimuovere il modulo I/O a canale in fibra ottica del Modular SAN Array dallo slot principale dell'MSA 1000.

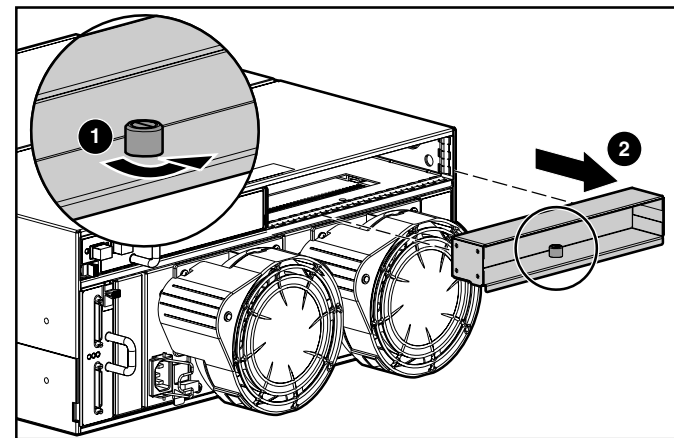


2. Inserire l'hub 2/3 nello slot vuoto.



3. Se nello slot secondario viene installato un hub 2/3 ridondante, allentare la vite zigrinata che blocca il pannello di riempimento in posizione ❶ e rimuovere il pannello dalla parte posteriore dell'unità ❷.

Inserire l'hub 2/3 nello slot vuoto.

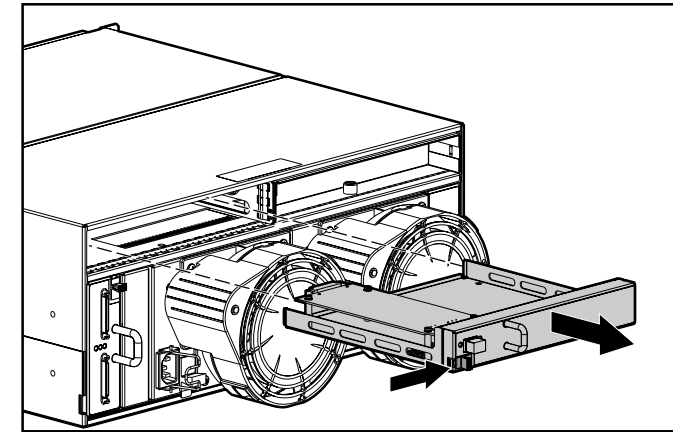


**NOTA:** l'hub 2/3 è un componente hot-plug.

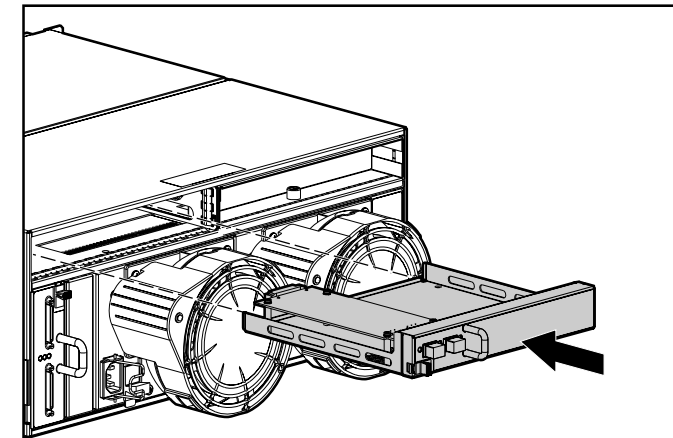
## Nederlands

U installeert de HP StorageWorks Modular SAN Array Hub 2/3 (MSA Hub 2/3) als volgt in de Modular SAN Array 1000 (MSA 1000):

1. Haal de meegeleverde Modular SAN Array Fibre Channel I/O-module uit het primaire slot van de MSA1000.

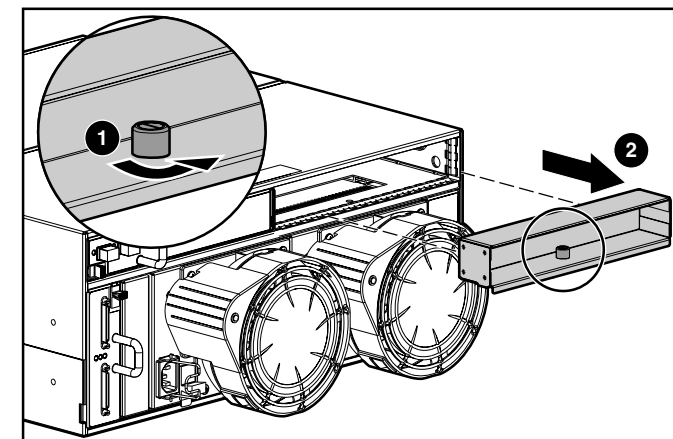


2. Plaats de MSA Hub 2/3 in het lege slot.



3. Als u een redundante MSA Hub 2/3 in het secundaire slot wilt installeren, draait u de schroef los waarmee het afdekplaatje vast zit ❶ en verwijdert u het afdekplaatje van de achterkant van de eenheid ❷.

Plaats de MSA Hub 2/3 in het lege slot.

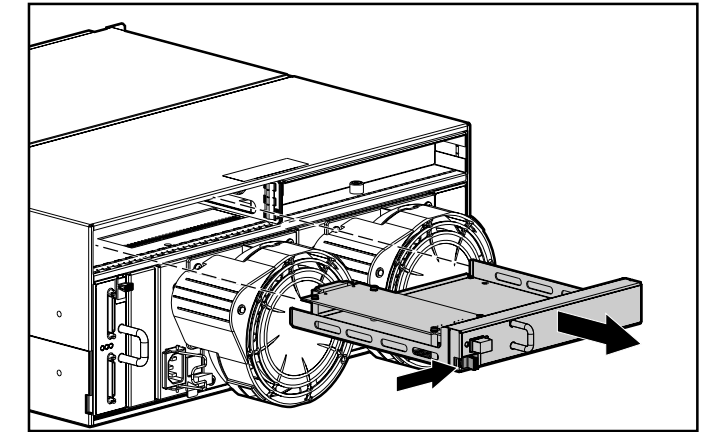


**OPMERKING:** De MSA Hub 2/3 is een hot-pluggable onderdeel.

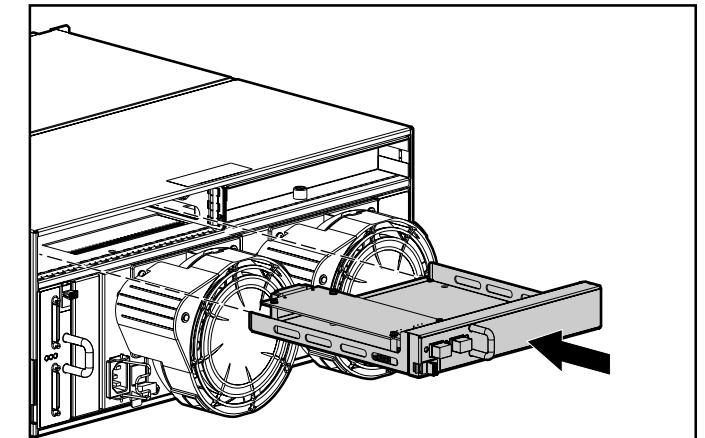
## 日本語

To install the HP StorageWorks Modular SAN Array Hub 2/3 (MSA Hub 2/3) into the Modular SAN Array 1000 (MSA 1000):

1. Remove the provided Modular SAN Array Fibre Channel I/O Module from the primary slot of the MSA1000.

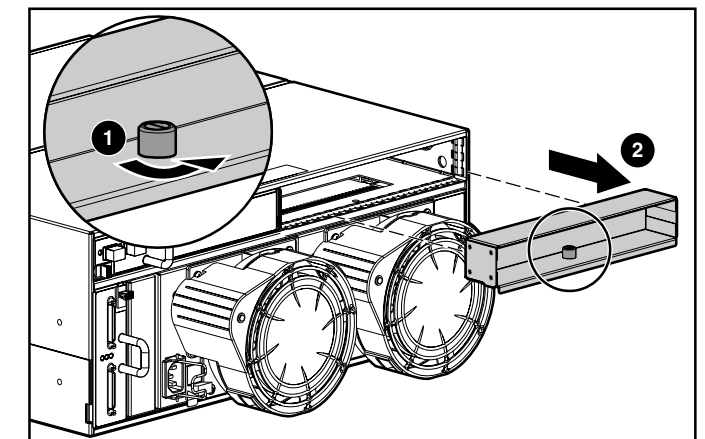


2. Insert the MSA Hub 2/3 into the vacant slot.



3. If a redundant MSA Hub 2/3 is being installed in the secondary slot, loosen the thumbscrew that holds the blanking panel in place ❶ and remove the blank from the back of the unit ❷.

Insert the MSA Hub 2/3 into the vacant slot.



**NOTE:** The MSA Hub 2/3 is a hot-pluggable component.