

Compaq 10000 Series Racks

The 10000 series racks are a family of 1000mm deep racks which are available in 22U and 42U 600mm widths. Compaq 10000 Series Racks provides a common, integrated platform for mounting all Compaq enterprise hardware, including Compaq ProLiant, Compaq Alpha, and Himalaya servers, as well as workstations, networking and Compaq StorageWorks storage products. Many cable management features have been incorporated into this product such as split rear doors with a removable access panel, cable egress in rack roof, cut outs in mounting rails for cabling between racks and straps for bundling cables in addition to increased loading capacity and graphite metallic color.

10642 (600mm, 42U)

| | |
|-----------------------------|-------------------|
| Standard Flat Pallet | 245161-B21 |
| Shock Pallet | 245161-B22 |
| Crated | 245161-B23 |

The 10642 rack is a 19" industry-standard rack that provides an enclosure for rack-mountable products with a height capacity of 42U. Perforated front and back doors included. 42U side panels optional.

Dimensions (HxDxW)

| | |
|--------------------|--|
| Total Cabinet Area | 78.7 x 39.69 x 24 in/2,000 x 1008.17 x 612.77 mm |
| Shipping | 86.22 x 48 x 32 in/2,190 x 1,219.2 x 812.8 mm |

Weight

| | |
|-----------|-------------------|
| Operating | 253 lbs/114.84 kg |
| Shipping | 325 lbs/147.52 kg |

Color

Graphite Metallic



10622 (600mm, 22U)

| | |
|-----------------------------|-------------------|
| Standard Flat Pallet | 245163-B21 |
| Shock Pallet | 245163-B22 |
| Crated | 245163-B23 |

The Rack 9122 is a 19" industry-standard rack that provides an enclosure for rack-mountable products with a height capacity of 22U. Perforated front and back doors, side panels, and stabilizer come standard.

Dimensions (HxDxW)

| | |
|--------------------|--|
| Total Cabinet Area | 43 x 39.691 x 24 in / 1,092 x 1,008.17 x 612.77 mm |
| Shipping | 52.25 x 48 x 32 in / 1,327.15 x 1,219.2 x 812.8 mm |

Weight

| | |
|-----------|-------------------|
| Operating | 176 lbs/ 79.89 kg |
| Shipping | 225 lbs/102.13 kg |

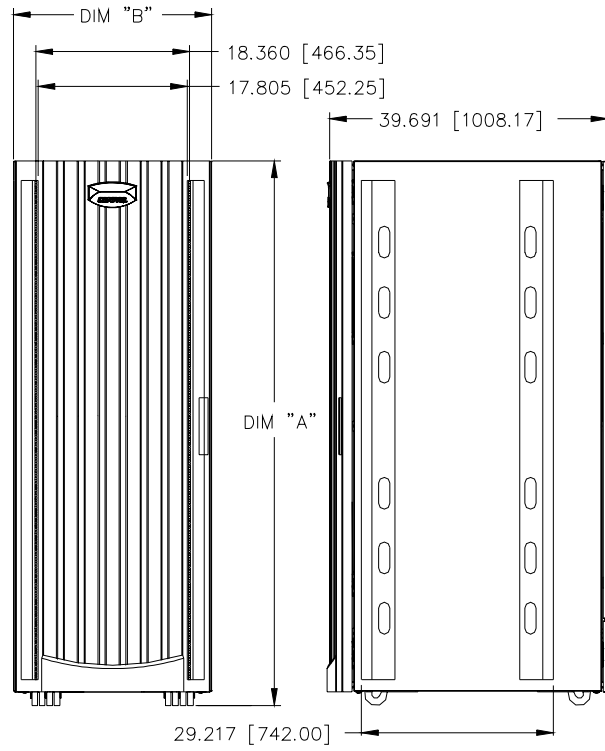
Color

Graphite Metallic



A "U" is the measuring unit for racks and rack-mountable components. 1U = 1.75" or 44.45 mm.

For more information on how to purchase these Compaq Racks, Options, and Accessories contact a Compaq Representative at 1-800-AT-COMPAQ.

10642

DIM "A" 78.7 in / 2,000 mm

DIM "B" 24 in / 612.77 mm

10622

DIM "A" 43 in / 1,092 mm

DIM "B" 24 in / 612.77 mm

A "U" is the measuring unit for racks and rack-mountable components. 1U = 1.75" or 44.45 mm.

For more information on how to purchase these Compaq Racks, Options, and Accessories contact a Compaq Representative at 1-800-AT-COMPAQ.

Compaq 10000 Series Racks Options

Several options are available exclusively for the 10000 series racks. The 10000 series rack will accommodate other rack accessories such as KVM switches, monitors, keyboards, integrated keyboard/monitors, CMC, PDUs and UPS offered by Compaq.

Shelving, Mounting and Grounding Kits

10000 Baying Kit (carbon)

Worldwide 248929-B21

The baying kit is used to join two or more racks together in minutes to create a multi-bay configuration. The baying kit supports 24" and 600mm floor tile spacing. Sides of adjacent rack frames are joined together and optional side panels are then placed on the two ends of the multi-bay configuration.

9000/10000 Offset Baying Kit

42U 248931-B21

This baying kit is used to connect 9000 and 10000 series racks of the same U heights together. The kit includes the baying kit hardware in addition to a 100mm deep, graphite metallic panel to cover up the gap on the side of the 10000 series rack.

Side Panel (graphite metallic)

42U 246099-B21

Locking side panels for the 42U racks of the 10000 series racks.

NOTE: The 10622 racks ship with side panels.

Grounding Option Kit

9000/10000 260457-B21

This kit can be used with both the 9000 and 10000 series racks. This product essentially reduces the electromagnetic emissions that may be given off by electronic components operating within the rack cabinet. The grounding kit ties all the conductive structural components the Rack together with conductive cables and is designed to be attached to a ground bonding point on the cables and is designed to be attached to a ground bonding point on the Rack's AC Power Distribution Device. This option will be used predominately by the Compaq Custom Systems Organization to configure Compaq Racks with the Alpha Server products.



Stabilization

Ballast Option Kit

Worldwide 120672-B21

This kit can be used on both the 9000 and 10000 series racks. The Ballast Kit is designed to provide additional stability and support when used with the Stabilizer Kit. It is typically used when very heavy equipment is routinely installed, removed or accessed within the rack.



Stabilizer Option Kit (graphite)

600mm wide 246107-B21

An anti-tip stabilizer provides stability and support when equipment is installed, removed or accessed within the rack. It is recommend you use a stabilizer option kit with a stand-alone rack.

A "U" is the measuring unit for racks and rack-mountable components. 1U = 1.75" or 44.45 mm.

For more information on how to purchase these Compaq Racks, Options, and Accessories contact a Compaq Representative at 1-800-AT-COMPAQ.

