

POWER DISTRIBUTION UNIT KIT

Quick Installation Guide for
Rack-Mounted Power Distribution Unit (PDU)
Low Voltage Model

Open Guide Completely Before
Beginning Installation Procedures



Printed on recycled paper

NOTICE

The information in this publication is subject to change without notice.

COMPAQ COMPUTER CORPORATION SHALL NOT BE LIABLE FOR TECHNICAL OR EDITORIAL ERRORS OR OMISSIONS CONTAINED HEREIN, NOR FOR INCIDENTAL OR CONSEQUENTIAL DAMAGES RESULTING FROM THE FURNISHING, PERFORMANCE, OR USE OF THIS MATERIAL. THIS INFORMATION IS PROVIDED "AS IS" AND COMPAQ COMPUTER CORPORATION DISCLAIMS ANY WARRANTIES, EXPRESS, IMPLIED OR STATUTORY AND EXPRESSLY DISCLAIMS THE IMPLIED WARRANTIES OF MERCHANTABILITY, FITNESS FOR PARTICULAR PURPOSE, GOOD TITLE AND AGAINST INFRINGEMENT.

This publication contains information protected by copyright. No part of this publication may be photocopied or reproduced in any form without prior written consent from Compaq Computer Corporation.

© 2000 Compaq Computer Corporation

Compaq, Registered U.S. Patent and Trademark Office.

COMPAQ POWER DISTRIBUTION UNIT KIT
QUICK INSTALLATION GUIDE FOR RACK-MOUNTED POWER DISTRIBUTION DEVICE

Second Edition (November 2000)
Part Number 215890-022

Compaq Computer Corporation

BAR CODE

About This Device

This guide serves as an outline to assist qualified personnel with the installation of the Compaq Power Distribution Unit (PDU).

The input voltage for this model PDU is 100VAC to 127VAC. This PDU includes the following features:

- Mounts in either 0U or 1U configuration, offering maximum flexibility for utilizing rack space.
- NOTE: 1U mounting kit sold separately (part number 215852-B21).
- This model (207590-D71) provides 12 receptacles on 4 circuit breakers. This PDU is used with UL listed and CSA certified information technology equipment.

Regulatory Compliance Information

All regulatory certifications for this product were obtained under the following agency series number. The corresponding part model number is shown.

- 207590-D71 EO3021



Important Safety Information Read Before Installing Product

Please refer to the *Important Safety Information* (guide included with the PDU kit) before installing this product.



WARNING: There is a risk of personal injury from electrical shock and hazardous energy levels. The installation of options and routine maintenance and service of this product must be performed by individuals who are knowledgeable about the procedures, precautions, and hazards associated with AC power products.

IMPORTANT SAFETY INSTRUCTIONS

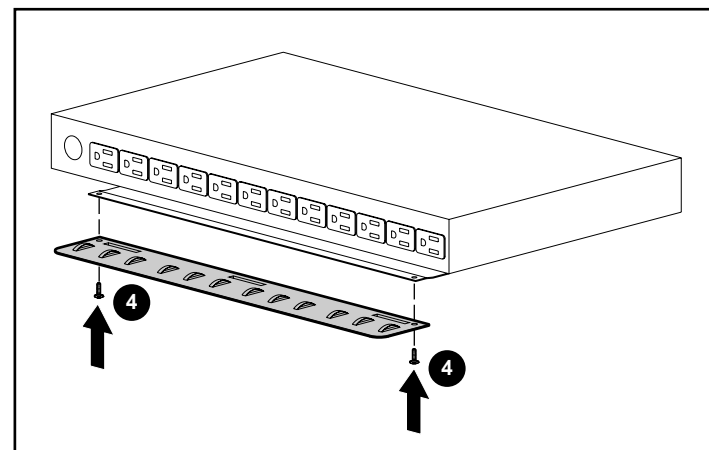
SAVE THESE INSTRUCTIONS - This Quick Installation Guide contains important instructions for the rack-mounted PDU that should be followed during installation.

Kit Contents

- Power Distribution Unit
- Assembly, 0U mounting hardware
 - Mounting brackets - 0U (2)
 - Screws 1 mounting brackets to unit (6) [2 extra]
 - Screws 3 mounting unit to rack (6) [2 extra]
- Cord retention hardware
 - Cord retention bracket
 - Screws 4 mounting bracket to unit (3) [1 extra]
- Tie wraps (15) [several extra]

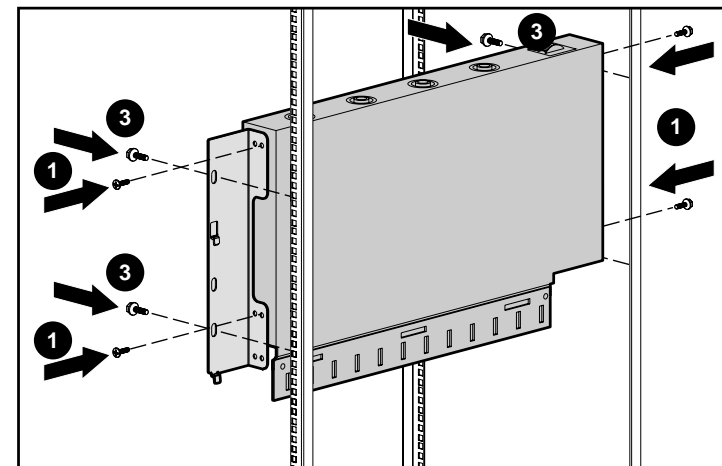
1 Installing the Cord Retention Bracket

Align the cord retention bracket with screw holes in unit. Use screws 4 to attach bracket to the bottom of the unit.



2 Installing the Unit - 0U Configuration

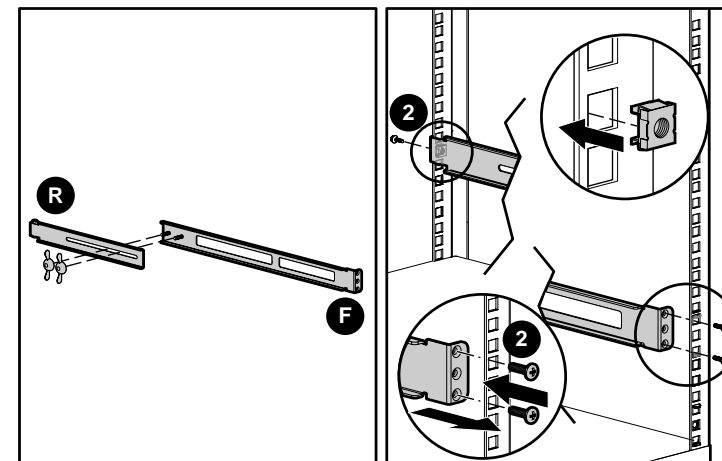
Align bracket with screw holes in unit. Use screws 1 to attach brackets to the sides of unit. Secure the unit to the side of rack by using screws 3 (two on each side) to attach unit.



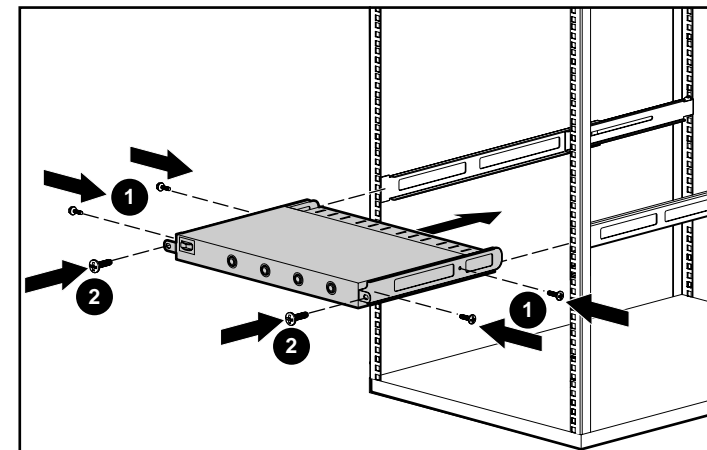
3 Installing the Unit - 1U Configuration

NOTE: The 1U installation rack template, rails, and screws are included in the 0U / 1U Installation kit, part number 215852-B21 (sold separately).

Use 1U installation template to select and align rack mounting holes. Place rear rail 6 over the studs in the front rail 7. Tighten the nuts finger tight. The mounting tab will be facing out, so the holes will align with the rack sides. Adjust the length of rail assembly to fit inside rack. Tighten the nuts. Insert the cage nuts (one on each side) in rack. Set hooks at rear of rail over holes in rack. Use screws 2 (one on each side) to attach the rails to the rear of the rack, through the cage nut. Use screws 2 (two on each side) to attach the rails to the front of the rack.

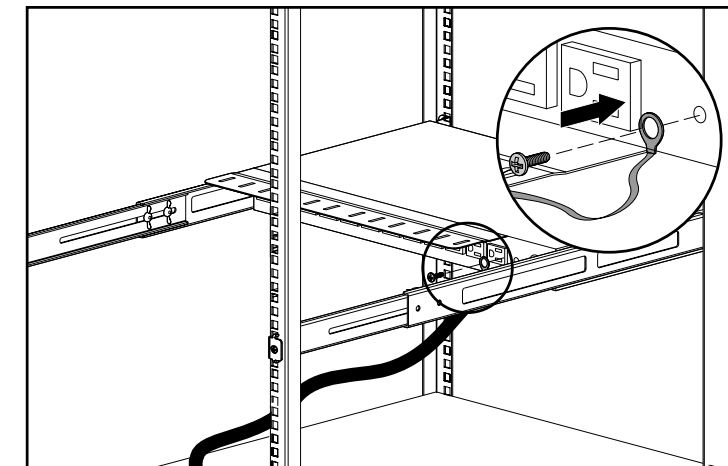


Align the bracket with screw holes in unit. Use screws 1 to attach brackets to sides of unit. Slide unit into rails and secure by using screws 2 to attach unit.



4 Using the Ground Bonding Screw

A ground bonding screw is provided on the rear of the unit as an attachment point for conductors, should the rack contain any conductors used for the purpose of grounding or bonding of ungrounded metal parts.



5 Connecting Devices

Make sure the connected devices do not exceed capabilities of the unit. This model has 12 receptacles, divided into 4 load groups. Each load group is controlled by a 15A circuit breaker (12A derated) and contains 3 receptacles. This model is rated at 24A total.

About the Circuit Breakers

The circuit breakers protect the PDU and all devices connected to it from damage caused by an incoming electrical surge or equipment malfunction. If power to a device is interrupted, check the circuit breakers and reset, if necessary. If power is still not restored, contact your authorized Compaq service representative at 1-800-OK-COMPAQ (1-800-652-6672). For continuous quality improvement, calls may be recorded or monitored. For additional information, visit the Compaq website at www.compaq.com.



WARNING: To reduce the risk of personal injury resulting from electric shock, do not remove the cover from the Power Distribution Unit. There are no field-serviceable or user-serviceable components inside.

Installation is complete.